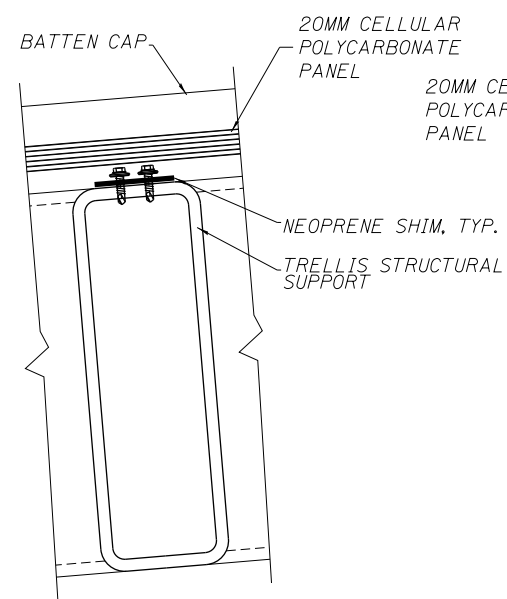
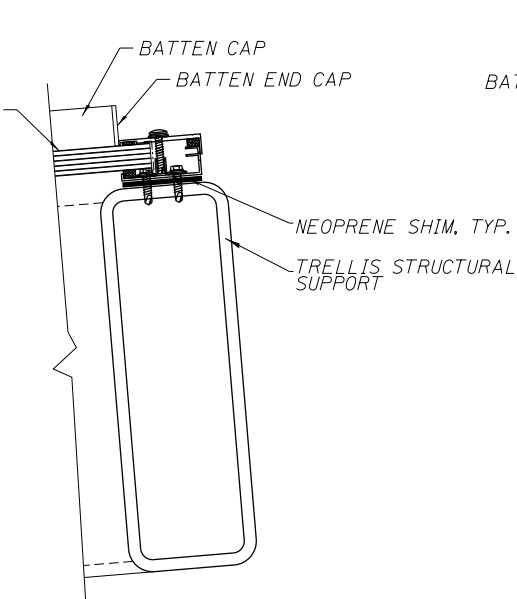


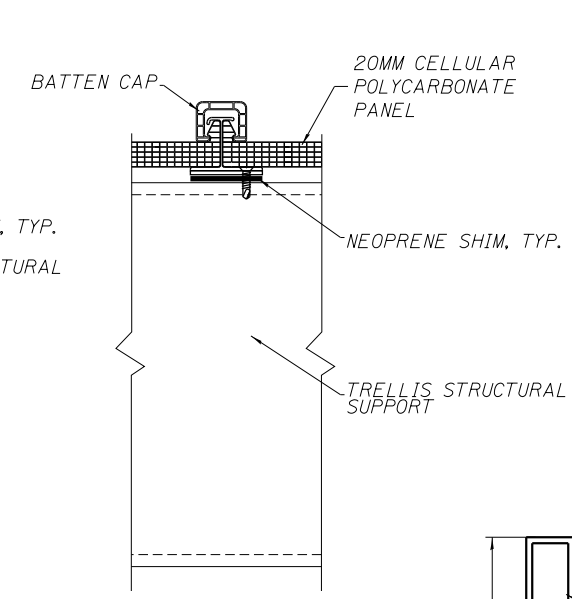
1 SECTION AT END W/ GUTTER
SCALE: 3" = 1'-0"



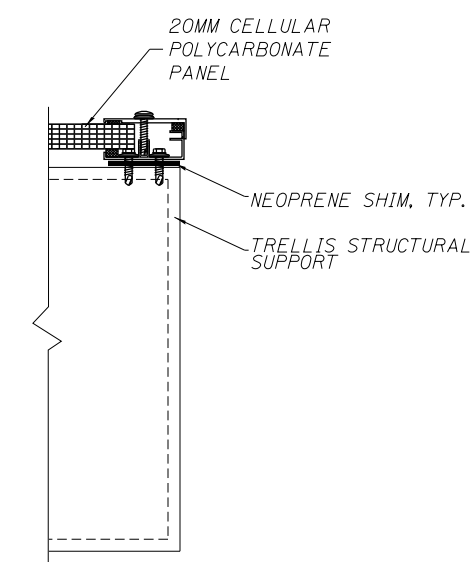
2 SECTION AT PURLIN
SCALE: 3" = 1'-0"



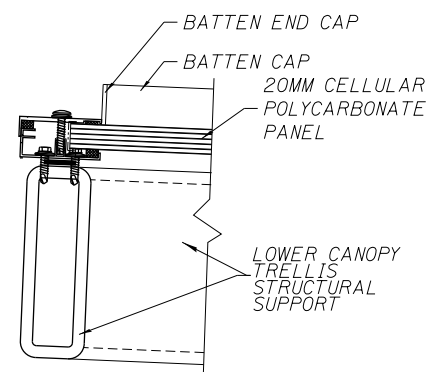
3 SECTION AT END
SCALE: 3" = 1'-0"



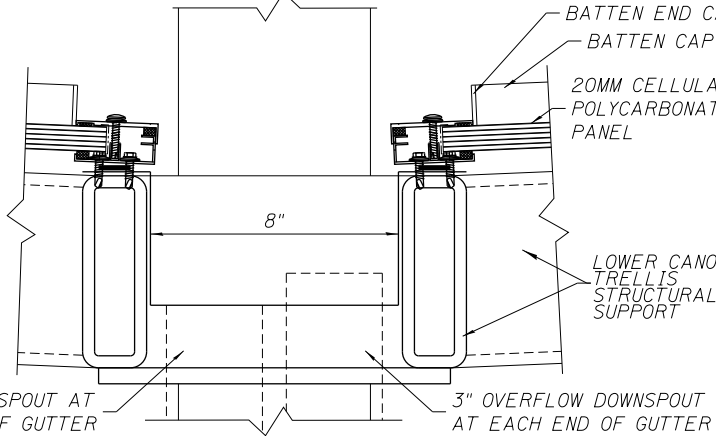
4 SECTION AT TYP. BATTEN
SCALE: 3" = 1'-0"



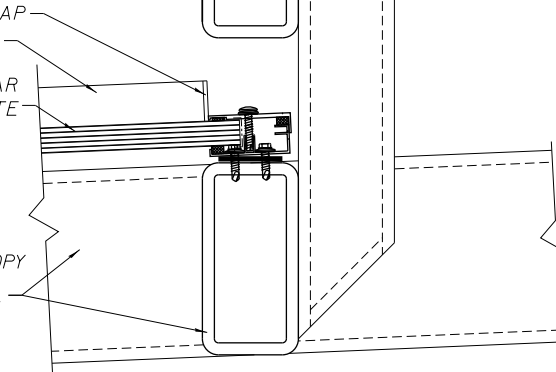
5 SECTION AT END
SCALE: 3" = 1'-0"



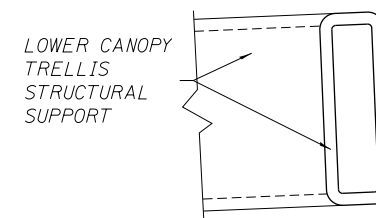
6 LC SECTION AT END
SCALE: 3" = 1'-0"



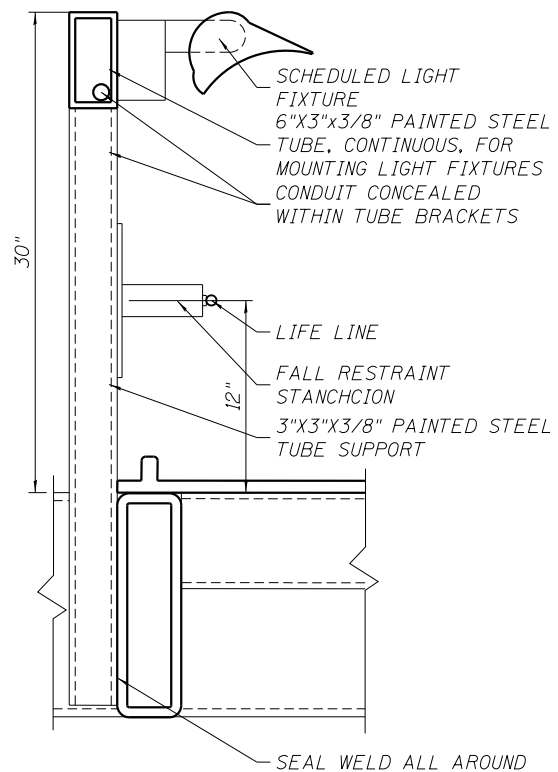
7 LC SECTION AT GUTTER
SCALE: 3" = 1'-0"



8 LC SECTION AT VERTICAL SUPPORT
SCALE: 3" = 1'-0"



9 LC SECTION AT END
SCALE: 3" = 1'-0"



10 CANOPY LIGHTING
SCALE: 1-1/2" = 1'-0"

NOTES:

1. CONNECTIONS AND JOINTS TO BE CONTINUOUSLY WELDED AND GROUND SMOOTH AS NOTED ON STRUCTURAL BRIDGE DRAWINGS
2. ALL STEEL TO BE GALVANIZED AND FIELD PAINTED WHITE PER SAMPLE SELECTED BY CTA.
3. ROUTE CONDUIT CENTERED ALONG TOP OF BEAM
4. LOWER CANOPY DOWNSPOUT TO TIE INTO UPPER CANOPY DOWNSPOUT BELOW LOWER CANOPY
5. CANOPY DOWNSPOUTS TO TIE INTO HALSTED STEEL BRIDGE DRAINAGE BELOW DECK, SEE CANOPY DRAINAGE PLAN FOR DETAILS.
6. FENCE CLOSURE ASSEMBLY TO MATCH BRIDGE FENCE RAILING (SPECIAL), SEE STRUCTURAL BRIDGE DRAWINGS

10:30:53 AM 0161716-60W26-MOD-A-DT-CNRY.dgn



USER NAME = BAWIor+	DESIGNED - WHB	REVISED
	CHECKED - CRR	REVISED
PLOT SCALE = 3x0.0000 Ins/In.	DRAWN - WHB	REVISED
PLOT DATE = 9/15/2013	CHECKED - CRR	REVISED

STATE OF ILLINOIS
DEPARTMENT OF TRANSPORTATION

PEDESTRIAN CANOPY ROOF DETAILS
STRUCTURE NO. 016-1716

SHEET NO. 8 OF 11 SHEETS

F.A.U. RTE.	SECTION	COUNTY	TOTAL SHEETS	SHEET NO.
3730	2013-008R	COOK	559	449
CONTRACT NO.			60W26	
ILLINOIS FED. AID PROJECT				