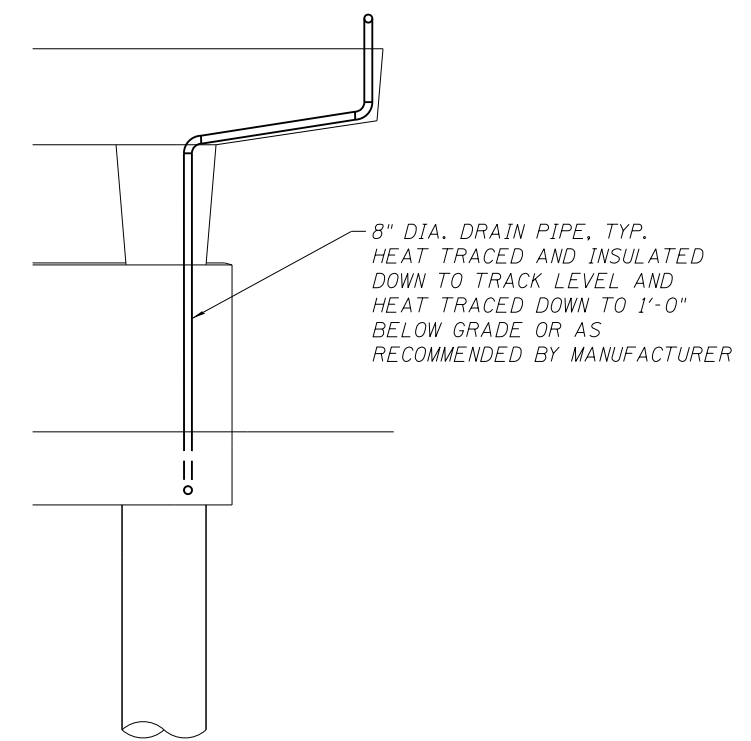


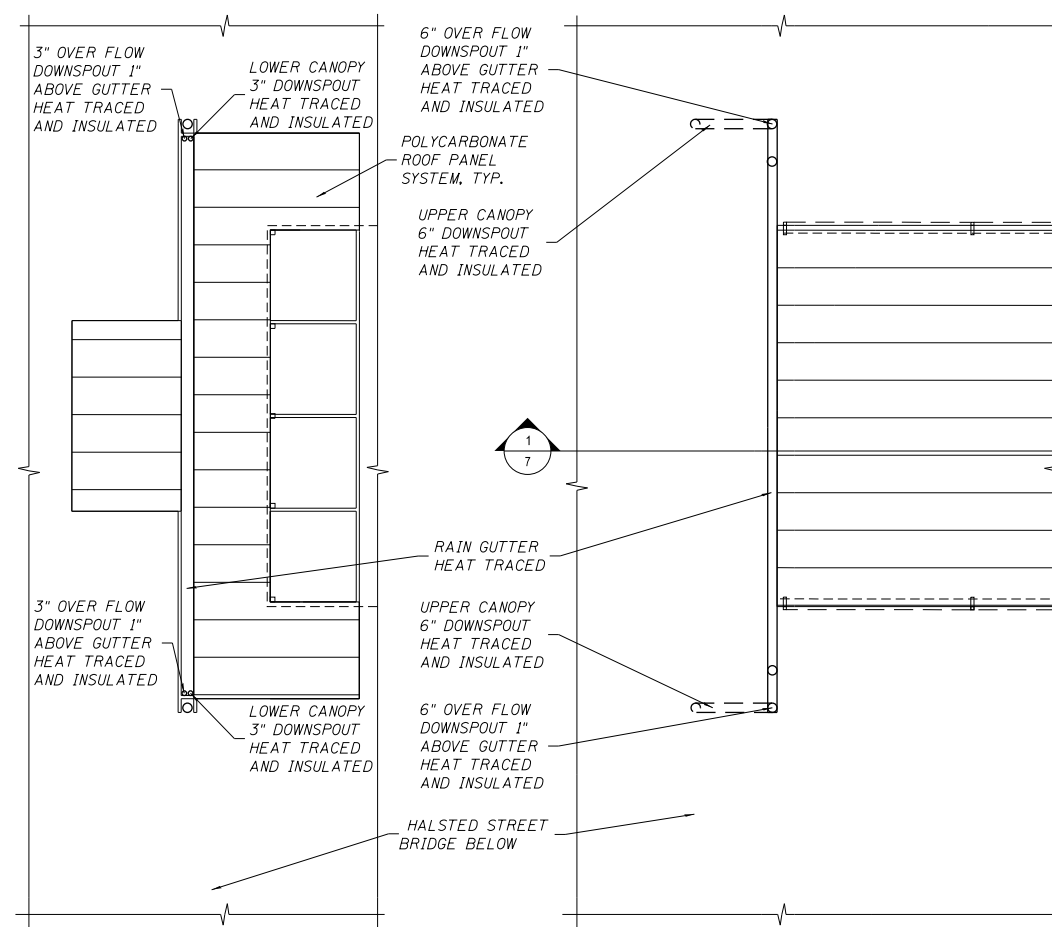
**ELEVATION**

(Looking West)  
N.T.S.



**PIER 2 FRONT ELEVATION**

(Looking North)  
N.T.S.



**LOWER CANOPY ROOF PLAN**

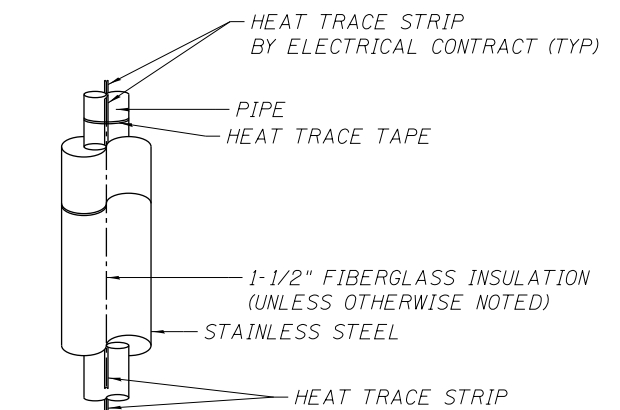
N.T.S.

**UPPER CANOPY ROOF PLAN**

N.T.S.

**NOTES:**

- 1) HEAT TRACING SHALL BE PROVIDED BY THE ELECTRICAL CONTRACTOR.
- 2) THE HEAT TRACING SYSTEM SHALL BE INSTALLED IN ACCORDANCE WITH CTA MASTER SPECIFICATION SECTION 23 83 30.
- 3) FOR HORIZONTAL PIPING, RUN HEAT TRACE STRIP BETWEEN 4:00 AND 5:00 POSITIONS OR BETWEEN 7:00 AND 8:00 POSITIONS.
- 4) PROVIDE HEAT TRACE CABLES AND INSULATION FOR ALL CANOPY DOWNSPOUT DRAIN PIPES AND HEAT TRACE FOR ALL CANOPY GUTTERS.
- 5) THE HEAT TRACE SYSTEM POWER AND CONTROL CIRCUITS SHALL BE CONNECTED TO THE EXISTING CTA POWER PANEL ELECTRIC HEAT (PPEH) LOCATED IN THE SUB-PANEL ROOM WITHIN THE CTA STATION. PROVIDE ALL THE NEW CIRCUIT BREAKERS REQUIRED FOR THE HEAT TRACE SYSTEM IN PANEL PPEH.
- 6) THE NEW HEAT TRACE CONTROL/MONITOR AND RELAY PANELS SHALL BE INSTALLED IN THE EXISTING SUB-PANEL ROOM WITHIN THE EXISTING CTA STATION AS DIRECTED BY THE CTA AND THE ENGINEER.
- 7) THE CONTRACTOR SHALL PROVIDE ALL CONDUITS, WIRES, HARDWARE, HEAT TRACE CABLES, CONTROL/MONITOR AND RELAY PANELS, THERMOSTATS, CIRCUIT BREAKERS, JUNCTION BOXES, HEAT TRACING COMPONENTS, ACCESSORIES AND INSULATION MATERIAL REQUIRED FOR A COMPLETE OPERATING HEAT TRACE SYSTEM AS REQUIRED BY THE MANUFACTURER AND AS DIRECTED BY THE ENGINEER. THE HEAT TRACE SYSTEM WORK WILL BE INCLUDED IN THE LUMP SUM COST OF THE "ELECTRICAL WORK FOR CANOPY LIGHTING AND HEAT TRACE" PAY ITEM.



**TYPICAL DETAIL OF PIPING WITH HEAT TRACE AND INSULATION**

N.T.S.

FILE PATH = p:\388035\p\m\l\escomon\me\local\p\MEC000\Documents\01\_Americas\Transportation\60269938\_Circle\Phase\_1\000\_CAD\007\_Landscape-Architectural\Structure\_016-1716-0161716-60W26-E001\_CanopyHeatTrace



0161716-60W26-E001-CanopyHeatTrace  
USER NAME = BAWtor1  
PLOT SCALE = 10.0000 "/>

DESIGNED - WDS  
DRAWN - CAM  
CHECKED - WDS  
DATE - 9/15/13

REVISED -  
REVISED -  
REVISED -  
REVISED -

**STATE OF ILLINOIS  
DEPARTMENT OF TRANSPORTATION**

**PEDESTRIAN CANOPY HEAT TRACE PLAN  
STRUCTURE NO. 016-1716**

SCALE: N.T.S. SHEET 10 OF 11 SHEETS STA. TO STA.

F.A.I. RTE.	SECTION	COUNTY	TOTAL SHEETS	SHEET NO.
90/94/290	2013-008R	COOK	559	451
CONTRACT NO. 60W26				
ILLINOIS FED. AID PROJECT				