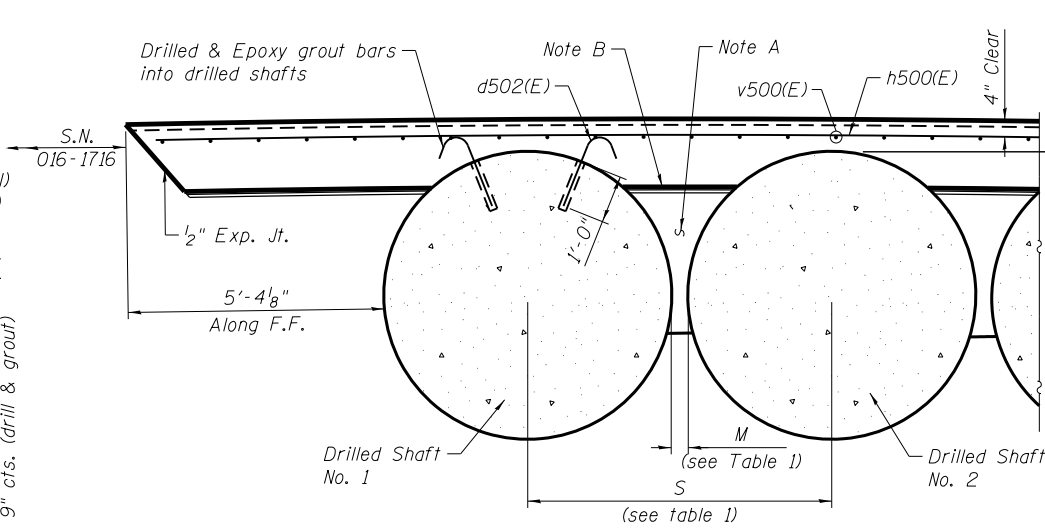
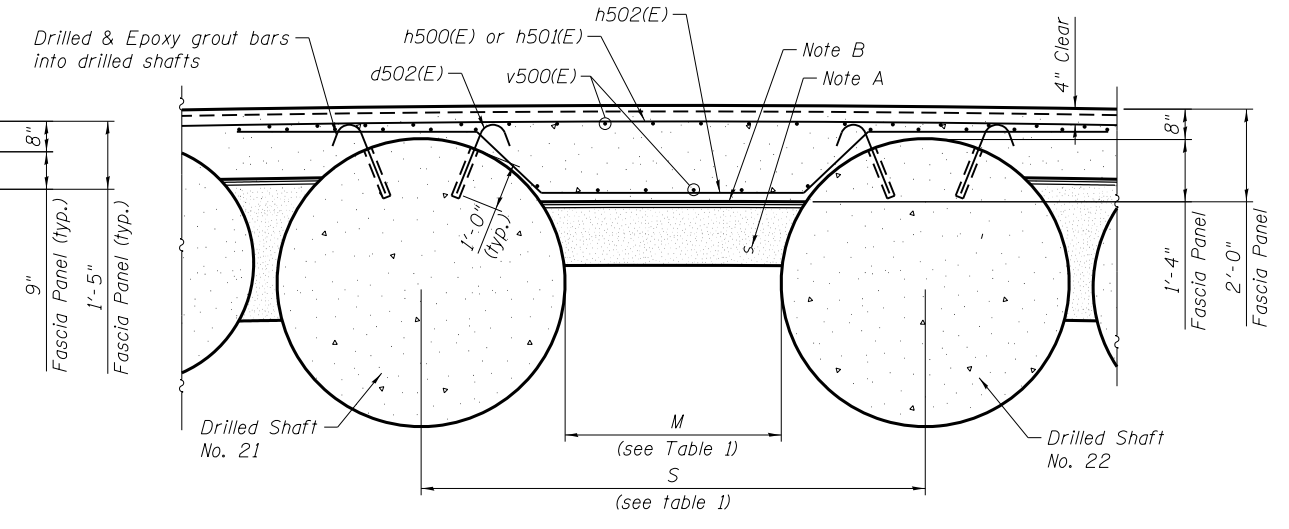


TYPICAL SHAFT ELEVATION



SECTION B-B
(Typical for Shaft 1 thru. 20 & Shaft 23 & 24)
(Shaft rebars are not shown for clarity)



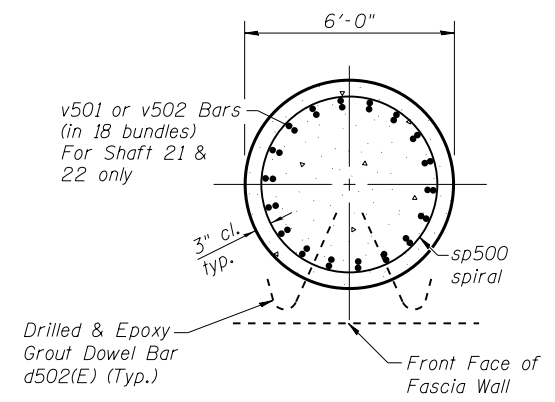
SECTION D-D
(Shaft rebars are not shown for clarity)

TABLE 1

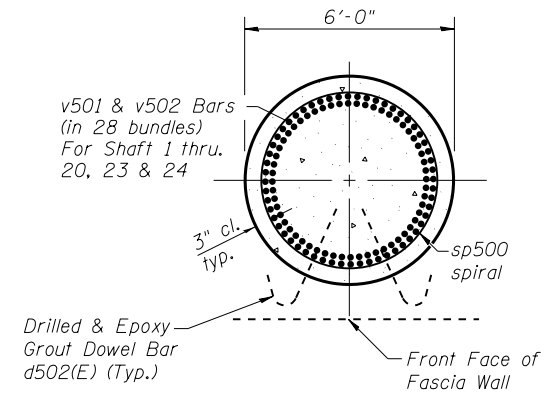
Drilled Shafts	S	M
1-21	6'-4"	4"
21-22	12'-0"	6'-0"
22-24	6'-3"	3"

- Note A
Remove loose soil on and between the drilled shafts. Place plywood with Geocomposite Wall Drain and backfill voids with dry loose sand.
- Note B
Plywood backform with Geocomposite Wall Drain attached to the back face, install between Drilled Shafts (typ.). Use dry loose sand as per IDOT Standard Specifications to fill voids between undisturbed soil and Geocomposite Wall Drain. Cost included with Class S1 Concrete Miscellaneous.
- Note C
Bundle v501 bars with v502 bars.

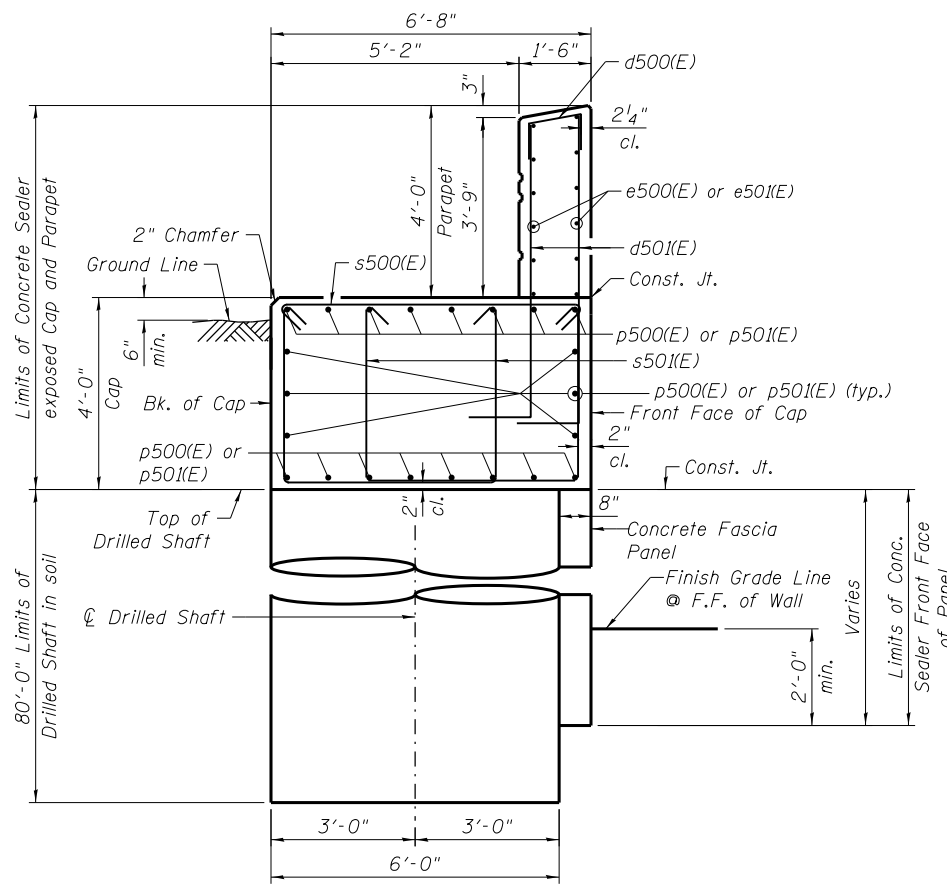
- NOTES
- When splicing spiral reinforcement is necessary, the spiral shall be provided with 1/2 extra turns at the ends to be spliced. These additional turns shall either be welded together according to AWS D1.4 or shall both terminate with a 135° standard hook.
 - Work this sheet with Sheet RW-03 & RW-05.



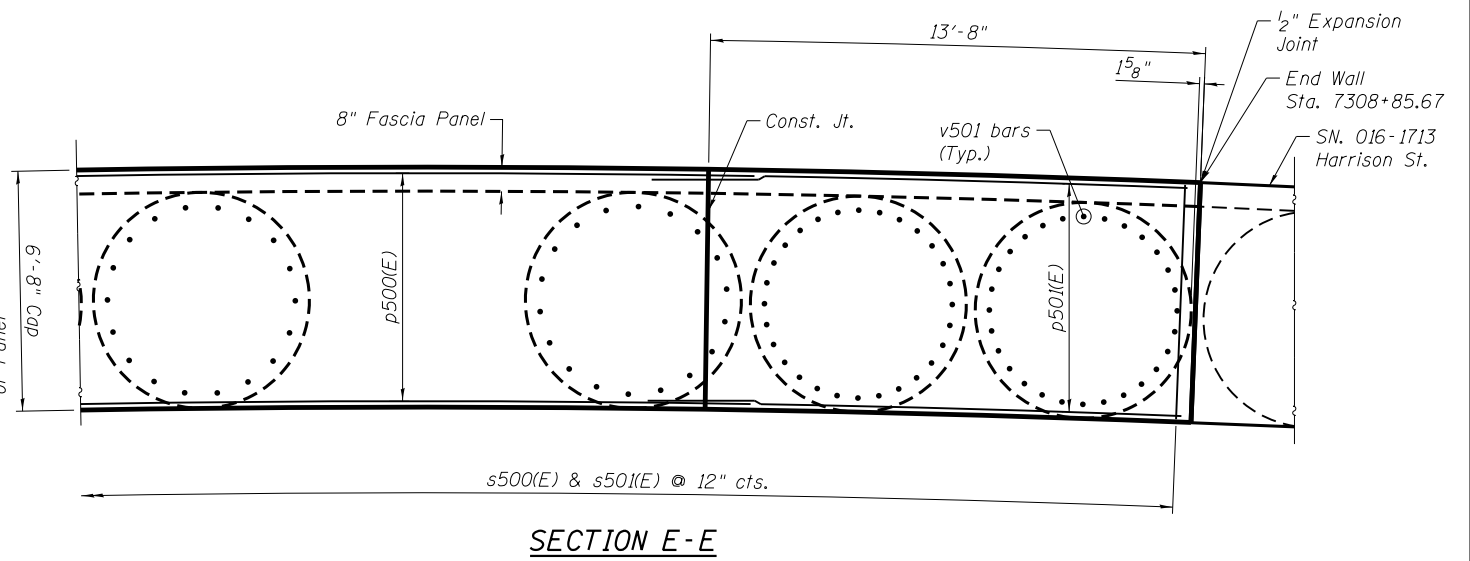
SECTION C-C



SECTION C-C



SECTION A-A



SECTION E-E

TYP. MIN. BAR LAP
(Unless Noted Otherwise)
#5 bar = 3'-3"
#6 bar = 3'-10"

0161802-50W26-504-SuperStruct



USER NAME = BhattA	DESIGNED - DD	REVISED
PLOT SCALE = N.T.S.	CHECKED - ATB	REVISED
PLOT DATE = 9/15/2013	DRAWN - BRD	REVISED
	CHECKED - ATB	REVISED

STATE OF ILLINOIS
DEPARTMENT OF TRANSPORTATION

WALL SECTIONS AND DETAILS
STRUCTURE NO. 016-1802
SHEET NO. RW-04 OF RW-08 SHEETS

F.A.I. RTE. 90/94/290	SECTION 2013-008R	COUNTY COOK	TOTAL SHEETS 559	SHEET NO. 456
CONTRACT NO. 60W26			ILLINOIS FED. AID PROJECT	