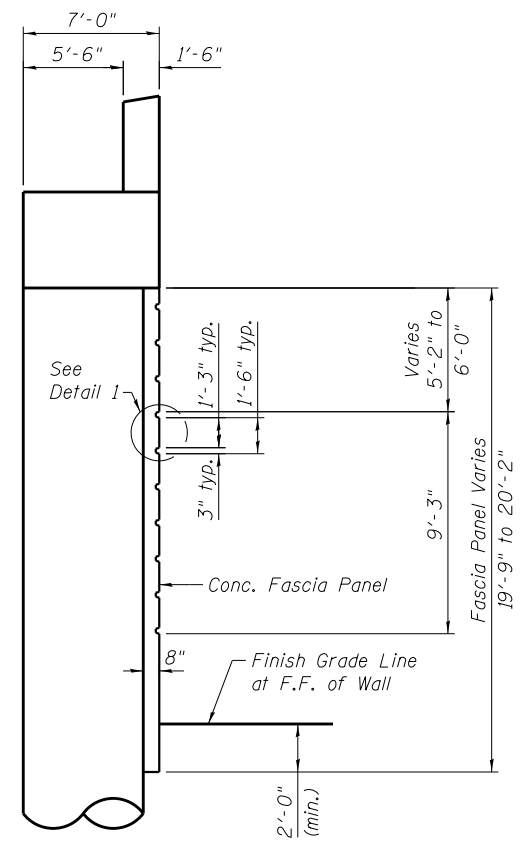
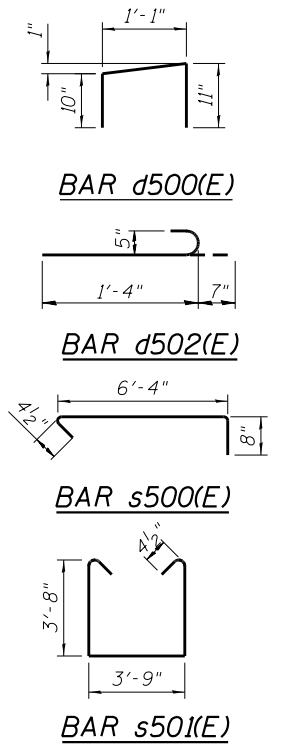
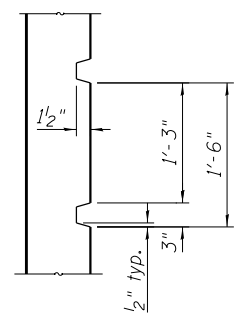


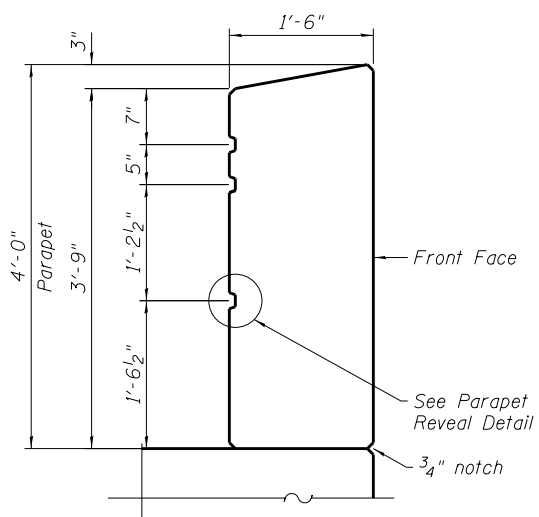
ELEVATION
(Looking West)



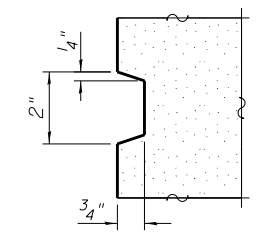
SECTION A-A



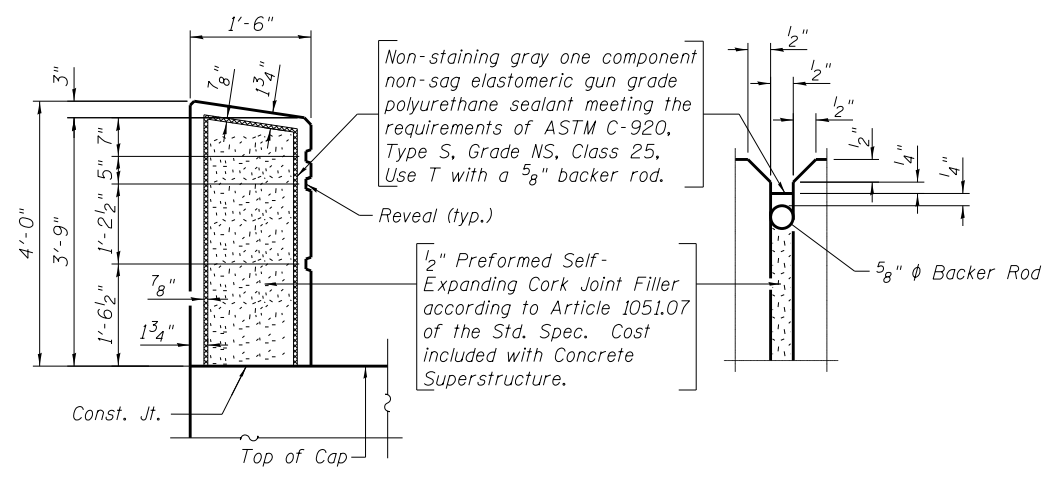
DETAIL 1



DETAIL 2



PARAPET REVEAL DETAIL



PARAPET JOINT DETAILS

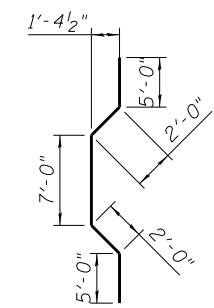
- NOTES:**
- The 3" x 1/2" reveal will not be paid separately and shall be included in the cost of the pay item Class SI Concrete Miscellaneous.
 - Parapet reveal will not be paid separately and shall be included in the cost of pay item Concrete Superstructures.
 - Work this sheet with Sheet RW-03 & RW-04.

BILL OF MATERIAL

Bar	No.	Size	Length	Shape
d500(E)	164	#5	2'-10"	[L-shaped]
d501(E)	328	#5	6'-4"	[L-shaped]
d502(E)	1,512	#5	1'-11"	[L-shaped]
e500(E)	60	#5	32'-1"	[Horizontal]
e501(E)	12	#5	15'-8"	[Horizontal]
h500(E)	105	#5	32'-1"	[Horizontal]
h501(E)	21	#5	15'-8"	[Horizontal]
h502(E)	21	#5	21'-0"	[Horizontal]
p500(E)	110	#6	32'-6"	[Horizontal]
p501(E)	22	#6	16'-0"	[Horizontal]
s500(E)	164	#4	7'-4 1/2"	[L-shaped]
s501(E)	328	#4	11'-10"	[L-shaped]
sp500	24	#6	79'-9"	[Spiral]
v500(E)	364	#5	11'-7"	[Horizontal]
v501	1304	#14	41'-9"	[Horizontal]
v502	1304	#14	40'-0"	[Horizontal]
Structure Excavation		Cu. Yd.	467	
Concrete Structures		Cu. Yd.	162	
Concrete Superstructure		Cu. Yd.	36	
Reinforcement Bars, Epoxy Coated			14,150	
Drilled Shaft In Soil		Cu. Yd.	2,011	
Concrete Sealer		Sq. Ft.	6,363	
Geocomposite Wall Drain		Sq. Yd.	44	
Pipe Underdrain for Structures 4"		Foot	170	
Class SI Concrete Miscellaneous		Cu. Yd.	127	
Crosshole Sonic Logging		Each	1	
Reinforcement Bars		Pound	1,016,700	
Mechanical Splicers		Each	1,304	

* Length is height of spiral
 ** Shown for information only. Cost included with Class SI Concrete Special (Fascia Wall).

BAR d501(E)



BAR h502(E)

0161802-60W26-505-SuperStruct



USER NAME = dunkerleyb	DESIGNED - DD	REVISED
PLOT SCALE = N.T.S.	CHECKED - ATB	REVISED
PLOT DATE = 9/15/2013	DRAWN - BRD	REVISED
	CHECKED - ATB	REVISED

STATE OF ILLINOIS
DEPARTMENT OF TRANSPORTATION

ARCHITECTURAL DETAILS
STRUCTURE NO. 016-1802

SHEET NO. RW-05 OF RW-08 SHEETS

F.A.I. RTE.	SECTION	COUNTY	TOTAL SHEETS	SHEET NO.
90/94/290	2013-008R	COOK	559	457
CONTRACT NO.			60W26	
ILLINOIS FED. AID PROJECT				