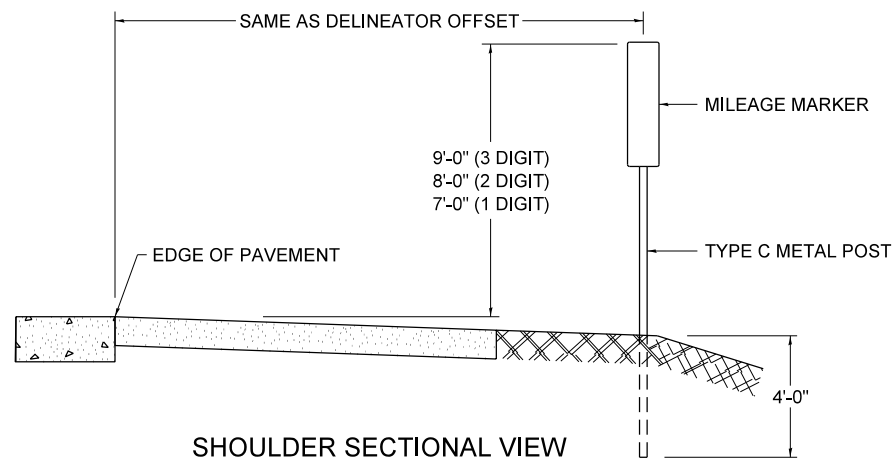
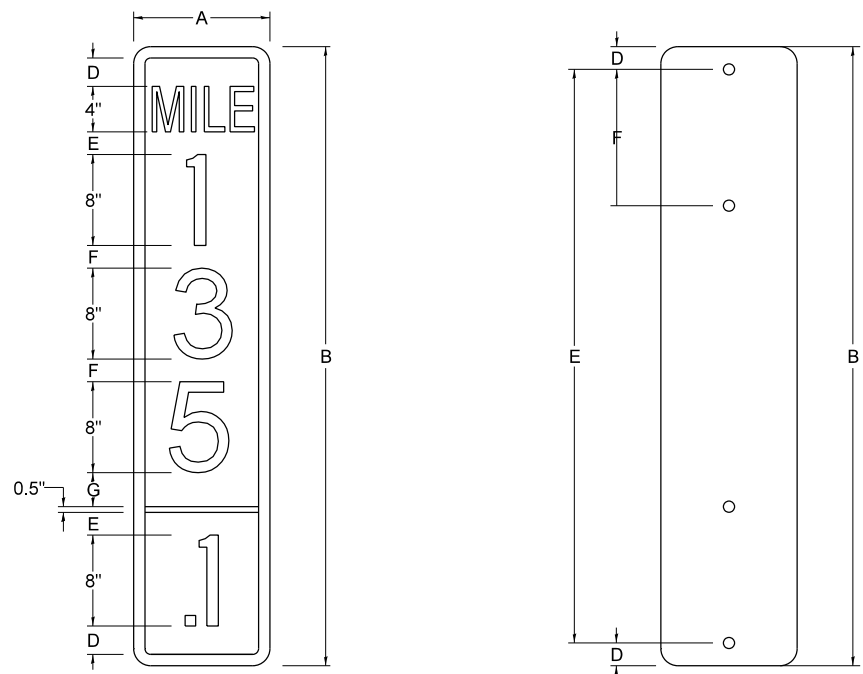


### STANDARD DESIGN FOR MILE POST



SHOULDER SECTIONAL VIEW

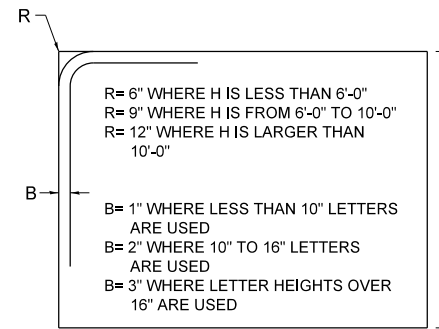


SIGN SIZE	DIMENSIONS							
	A	B	C	D	E	F	G	DIGIT
12 x 24	12.0	24.0	1.5	1.5	1.5	N/A	1.5	1
12 x 36	12.0	36.0	1.5	2.0	2.0	2.0	1.5	2
12 x 48	12.0	48.0	1.5	2.5	2.0	2.0	2.5	3

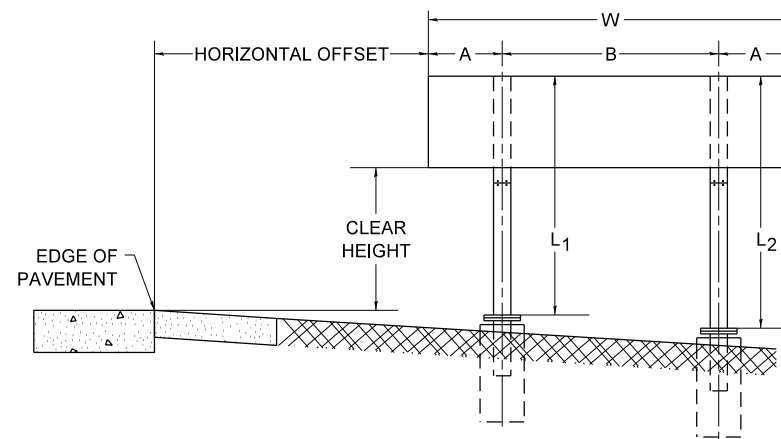
BLANK	A	B	C	D	E	F
B9-1224	12.0	24.0	1.5	2.0	20.0	N/A
B9-1236	12.0	36.0	1.5	2.0	32.0	12.0
B9-1248	12.0	48.0	1.5	2.0	44.0	12.0

SIGN SIZE	SERIES					BLANK STD.	
	LINES						
	1	2	3	4	5		
12 x 24	4C	8D	4C	N/A	N/A	0.5	B9-1224
12 x 36	4C	8D	8D	4C	N/A	0.5	B9-1236
12 x 48	4C	8D	8D	8D	4C	0.5	B9-1248

### BORDER AND RADIUS LAYOUT



### MAJOR GUIDE SIGN LAYOUT

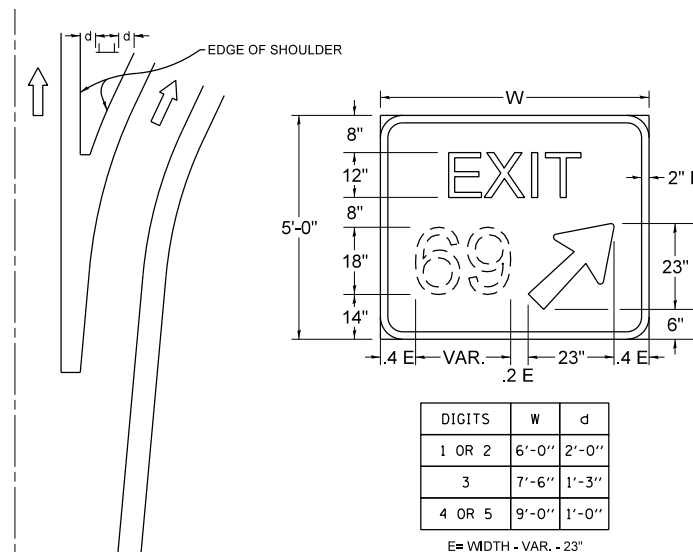


NUMBER OF STEEL SUPPORTS	A	B
2	.2 W	.6 W
3	.15 W	.35 W
4	.125 W	.25 W
5	.1 W	.2 W

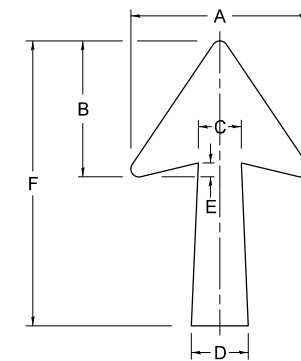
"L1" IS THE LENGTH OF SUPPORT, NOT INCLUDING THE STUB PROJECTION, CLOSEST TO THE EDGE OF THE PAVEMENT.

"A" IS THE DISTANCE FROM THE SIGN EDGE TO THE CENTERLINE OF THE NEAREST SUPPORT. "B" IS THE DISTANCE BETWEEN CENTERLINES OF SUPPORTS.

### GORE SIGNS

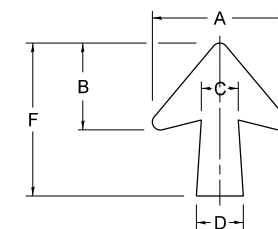


### STANDARD ARROWS FOR INTERSTATE GUIDE SIGNS



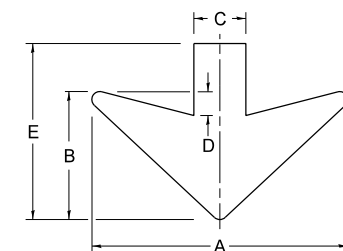
ARROW SYMBOL	A	B	C	D	E	F	R
24 1/4 x 15 1/8	15 1/8	11 1/8	3 3/4	5	1 1/2	24 1/4	1 1/8
29 1/4 x 18 1/4	18 1/4	14	4 1/2	6	1 1/2	29 1/4	3/4
35 1/8 x 22 1/4	22 1/4	17	5 3/8	7 1/8	1 3/4	35 1/8	1
18 1/4 x 11 1/4	11 1/4	8 3/4	3 1/8	3 3/8		18 1/4	

NOTE: D & F ARE RECOMMENDED DIMENSIONS. TAPER SHOULD BE HELD CONSTANT FOR LONGER OR SHORTER SHAFT LENGTHS



ARROW SYMBOL	A	B	C	D	E	F	R
17 1/4 x 14 1/4	14 1/4	9 3/8	3 3/8	4 1/2	1 5/8	17 1/4	3/4
20 1/4 x 17 1/4	17 1/4	11 3/4	4 3/8	5 5/8	1 1/2	20 1/4	
25 x 21 1/8	21 1/8	14 1/4	5	6 3/4	1 3/4	25	1
9 1/2 x 8 1/8	8 1/8	5 1/8	2 3/8	2 3/8		9 1/2	1/2

### DOWN ARROWS



ARROW SYMBOL	A	B	C	D	E	R
16 1/2 x 24	24	12	5	1 1/2	16 1/2	3/4
22 x 32	32	16	6 1/2	3	22	1

FILE NAME = D:\160W26-SHT-01-Detail-29-1TC-273.dgn	USER NAME = augeungh	DESIGNED -	REVISED - 02-04-2009
		DRAWN -	REVISED -
	PLOT SCALE = 50.0000' / in.	CHECKED -	REVISED -
	PLOT DATE = 8/16/2013	DATE - 03-08-1984	REVISED -

STATE OF ILLINOIS  
DEPARTMENT OF TRANSPORTATION

MILE POST MARKERS - GORE SIGNS  
MAJOR GUIDE SIGN LAYOUT - ARROWS

SCALE: NONE SHEET NO. 26 OF 27 SHEETS STA. TO STA.

F.A.I. RTE.	SECTION	COUNTY	TOTAL SHEETS	SHEET NO.
	2013-008R	COOK	559	486
TC-27 (TS-2341-1)			CONTRACT NO. 60W26	
FED. ROAD DIST. NO. 1 ILLINOIS FED. AID PROJECT				
90/94/290				