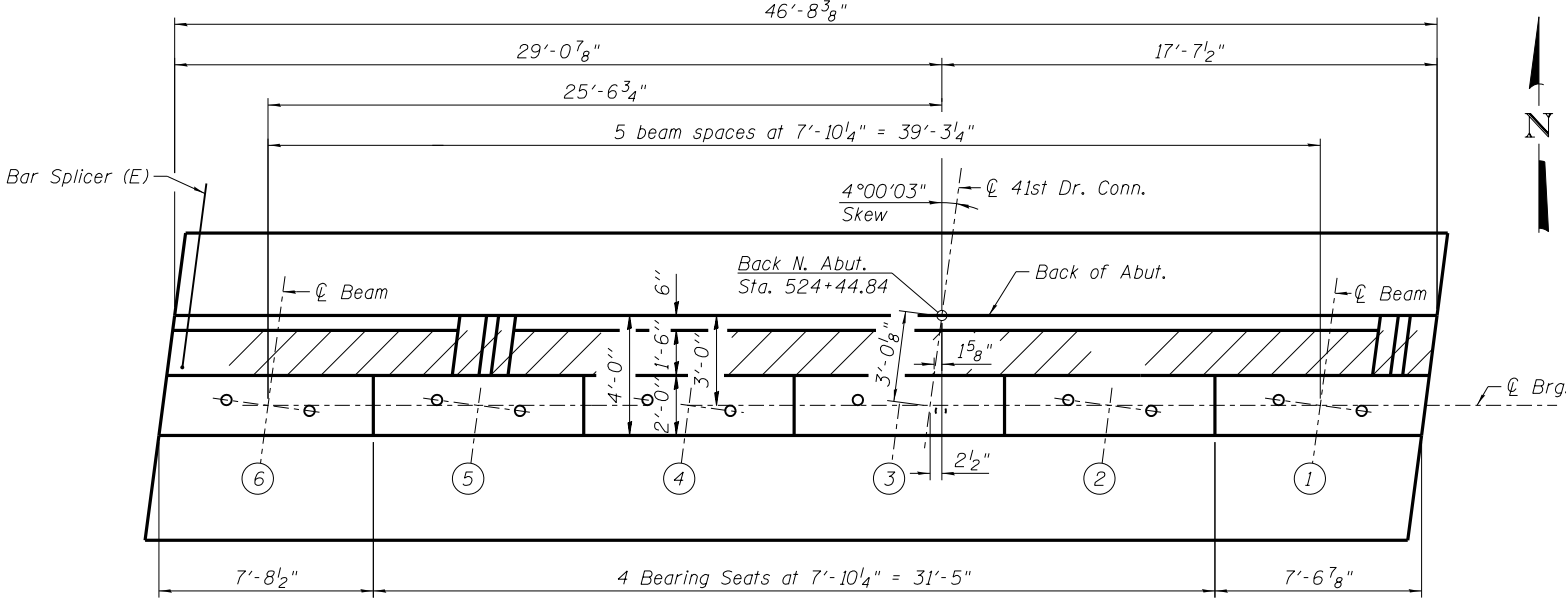
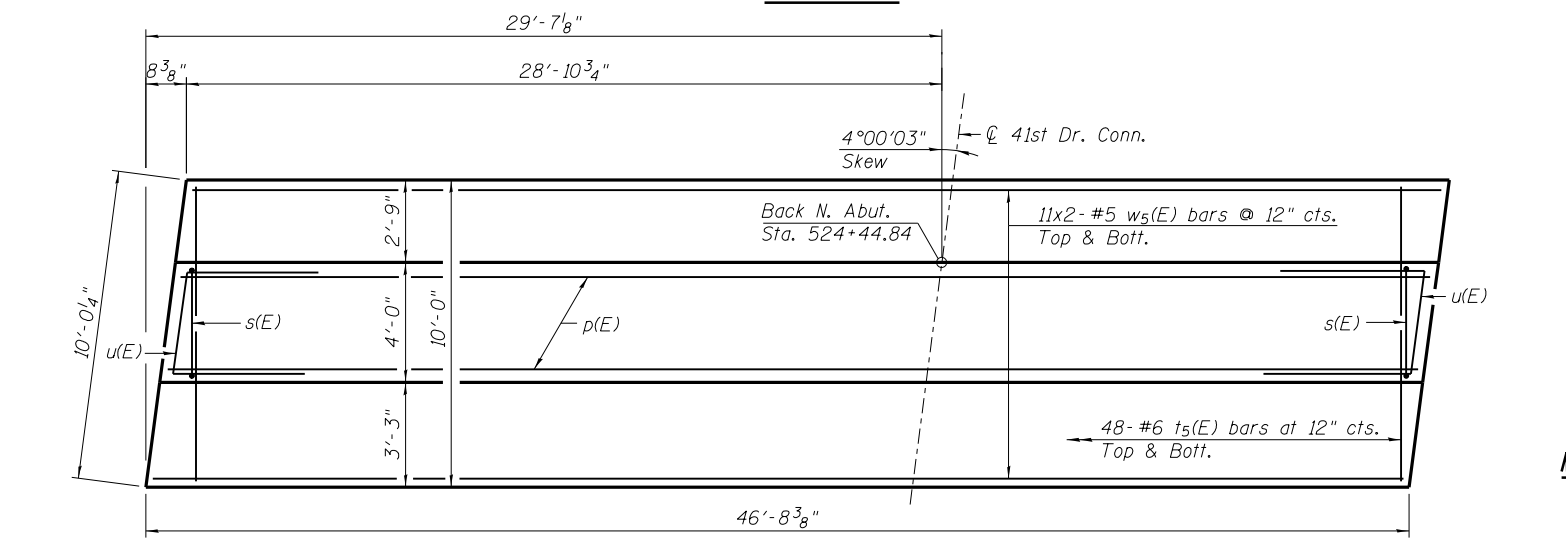


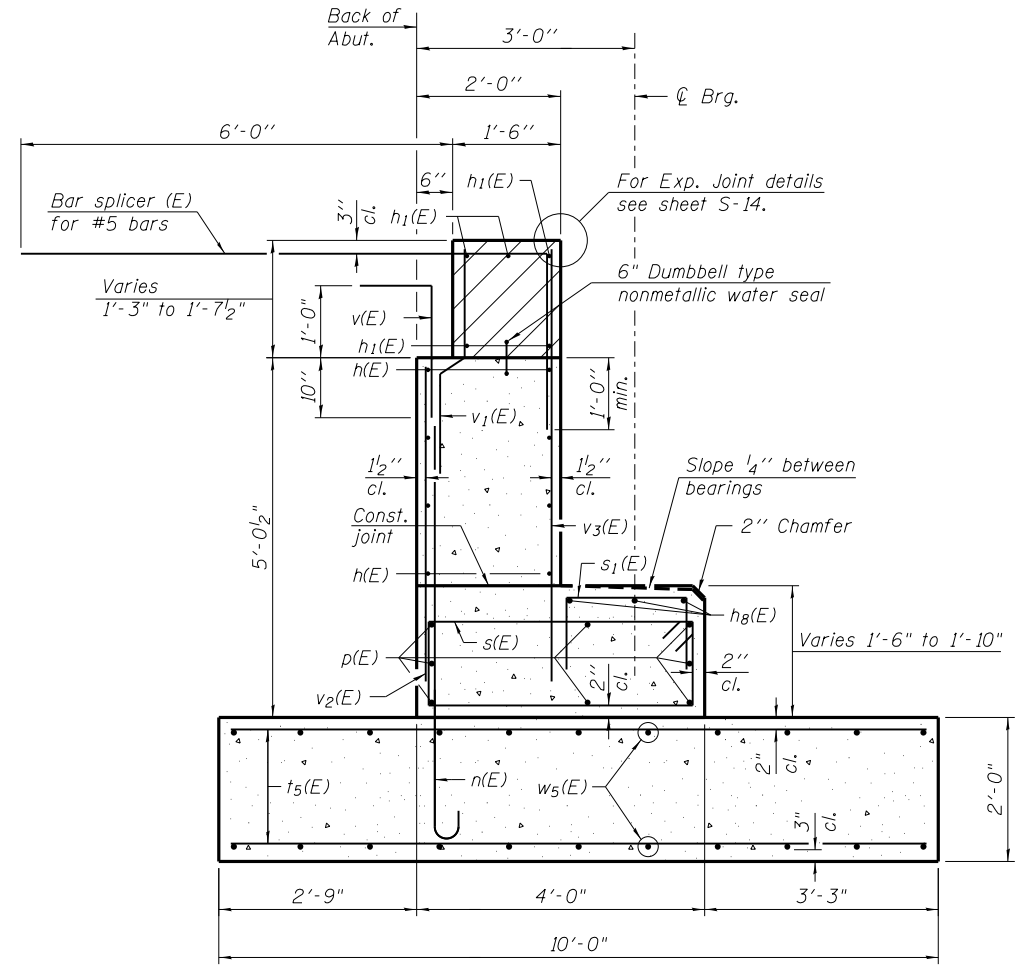
ELEVATION
(Looking North)



TOP VIEW

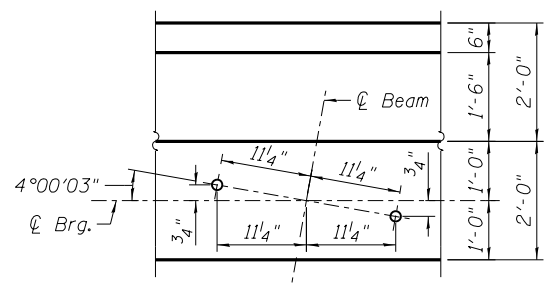


PLAN-BEARING SEAT & FOOTING



SEC. THRU ABUT.

Maximum Applied Service Bearing Pressure: $Q_{max} = 2,420$ psf



**ANCHOR BOLT LOCATION
DETAIL**

ABUTMENT BEARING SEAT ELEVATION

①	②	③	④	⑤	⑥
591.01	591.18	591.27	591.10	590.94	591.09

NOTES:

1. Pour steps monolithically with bearing seat.
2. For details of Bar Splicers, see sheet S-23.
3. Bars indicated 4x2-#6 etc. indicates 4 lines of bars with 2 lengths per line.
4. Hatched area to be poured after superstructure false work has been removed. Quantity of concrete included with Concrete Superstructure.
5. Space reinforcement in bearing seat to miss anchor bolts.
6. Concrete Sealer to be applied to all exposed surfaces of backwall, bearing seats, front face of bearing seats and footing.
7. For bar bending details and Bill of Material, see Sheet S-20.

MIN. BAR LAP

- #5 = 3'-8"
- #6 = 4'-5"
- #7 = 5'-10"

N:\PROJ\10003393\CONTRACT_1\Design\Structure\1\CAD\081-0176-D264884-20-Nor-th-Abutments.dgn
 C:\Users\mteng\AppData\Local\Temp\1\10003393\CONTRACT_1\Design\Structure\1\CAD\081-0176-D264884-20-Nor-th-Abutments.dgn



USER NAME = mteng	DESIGNED - SMY	REVISED -
PLOT SCALE = 0.2500 '1' / 'in.	CHECKED - APD	REVISED -
PLOT DATE = 3/11/2013	DRAWN - SMY	REVISED -
	CHECKED - APD	REVISED -

**STATE OF ILLINOIS
DEPARTMENT OF TRANSPORTATION**

**NORTH ABUTMENT
STRUCTURE NO. 081-0176**

SHEET NO. S-20 OF S-27 SHEETS

F.A.P. RTE.	SECTION	COUNTY	TOTAL SHEETS	SHEET NO.
595	(142-11R & 142-11B)	ROCK ISLAND	507	319
ILLINOIS FED. AID PROJECT			CONTRACT NO. 64884	