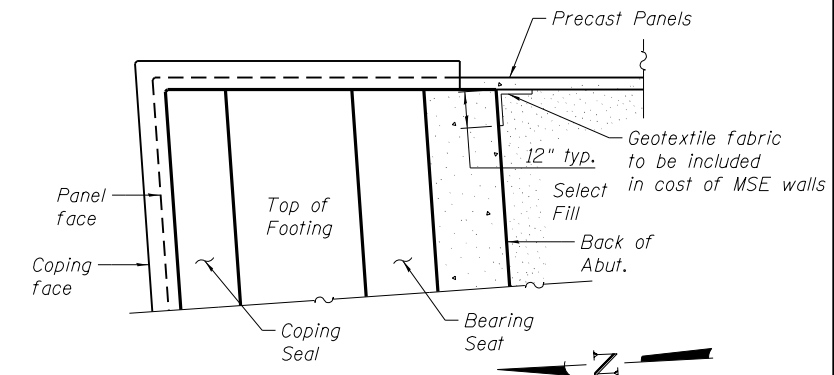
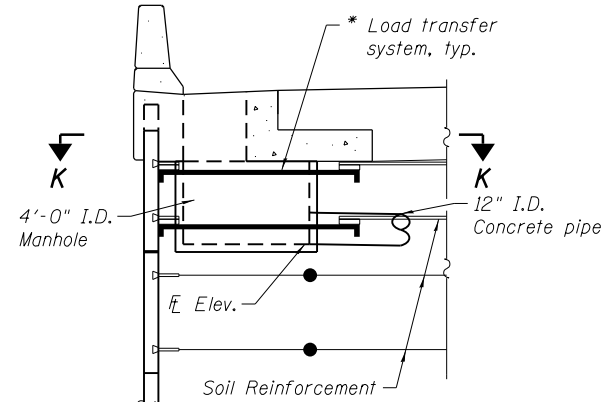


SECTION G-G

*** Select Fill to be placed between limits of reinforced soil mass in area where MSE Wall is on both sides of roadway. Cost to be included with cost of Mechanically Stabilized Earth Retaining Wall. See Roadway Plans for details.

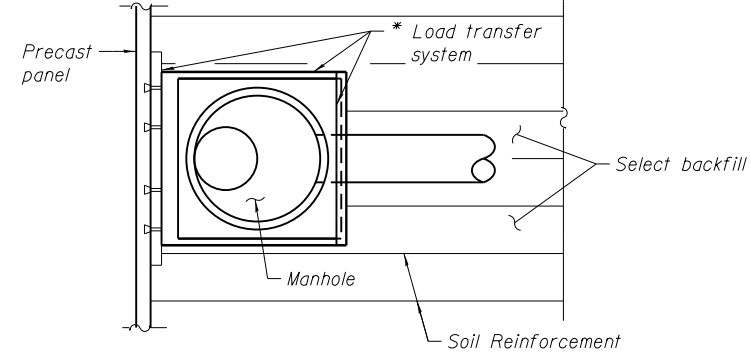


SECTION T-T
(at corner of MSE wall)



DETAIL C

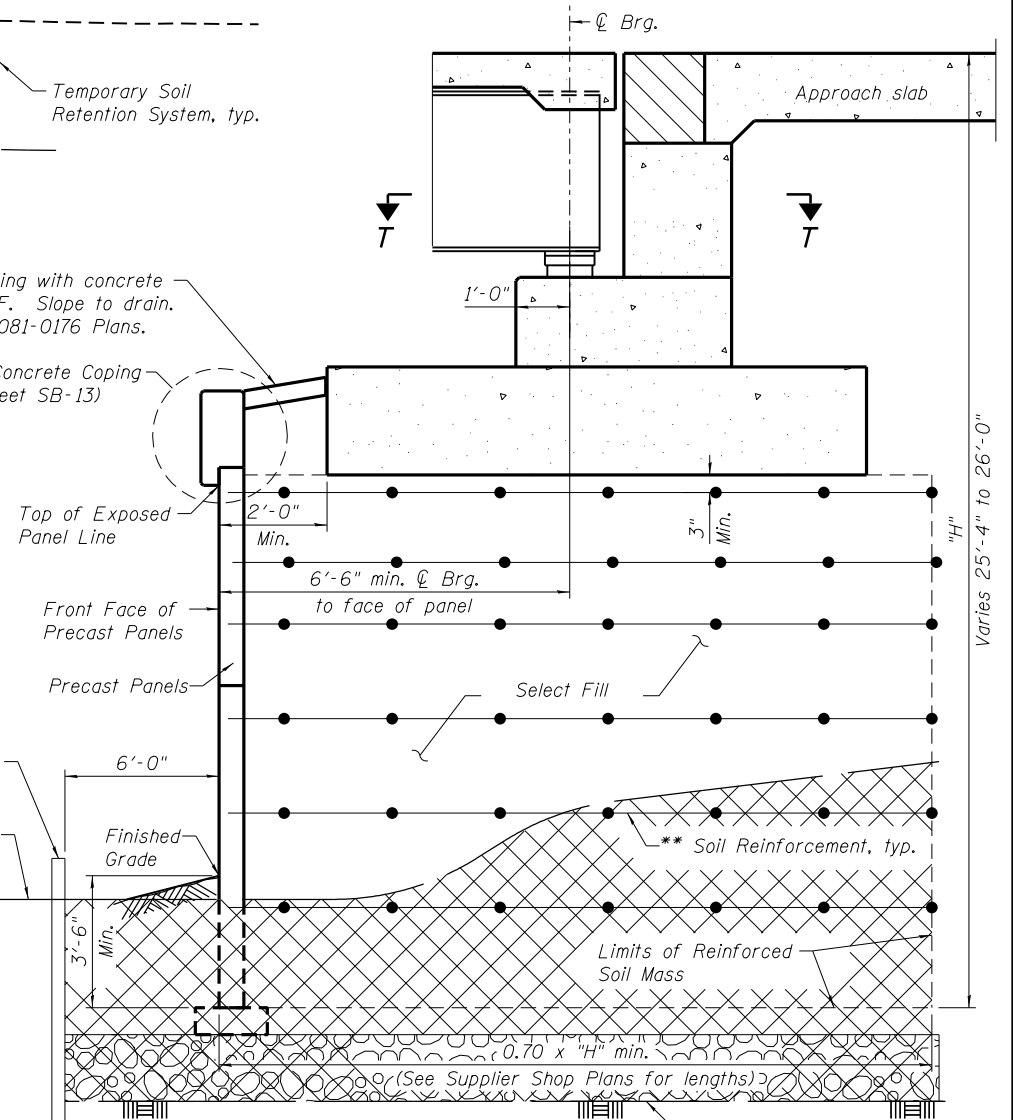
* M.S.E. supplier to design load transfer system to accommodate concrete pipe and manhole



SECTION K-K

Seal coping with concrete and P.J.F. Slope to drain. See SN 081-0176 Plans.

C.I.P. Concrete Coping (See sheet SB-13)



SECTION H-H

(Typical wall section thru abutment)

** The M.S.E. Wall supplier's internal stability design shall account for the footing's bearing pressure surcharge of 3 ksf and horizontal sliding force of 1.6 kips/ft. of abutment.

Note:
See Structure No. 081-0176 Plans for abutment details.

LEGEND:

Removal and Disposal of Unsuitable Materials
See Roadway plans for Removal of Unsuitable Materials quantity.

Rock Fill
See Roadway plans for Rock Fill quantity.
Rock Fill is to be placed up to the top of existing ground or bottom of MSE Wall leveling pad, whichever is lower.

N:\PROJECTS\081-0176\CONTRACT\1\Design\Structure\CAD\Retaining Wall 081-7003\081-7003_04_Sections_Revise.dgn



USER NAME = rdonley	DESIGNED - SMY	REVISED -
CHECKED - BWS	REVISIONS -	
PLOT SCALE = 10.666667' / 1"	DRAWN - RD	REVISIONS -
PLOT DATE = 8/15/2013	CHECKED - BWS	REVISIONS -

**STATE OF ILLINOIS
DEPARTMENT OF TRANSPORTATION**

**SECTIONS
STRUCTURE NO. 081-7003**

SHEET NO. SB-4 OF SB-21 SHEETS

F.A.P. RTE.	SECTION	COUNTY	TOTAL SHEETS	SHEET NO.
595	(142-11R-1 and 142-11B)	ROCK ISLAND	507	346
				CONTRACT NO. 64B84

ILLINOIS FED. AID PROJECT