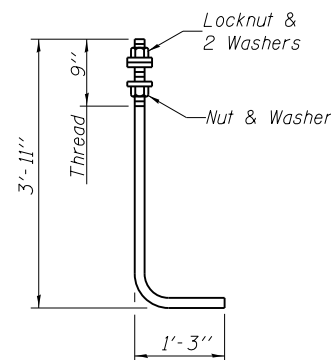


COPING DETAIL
Unfolded Elevation View

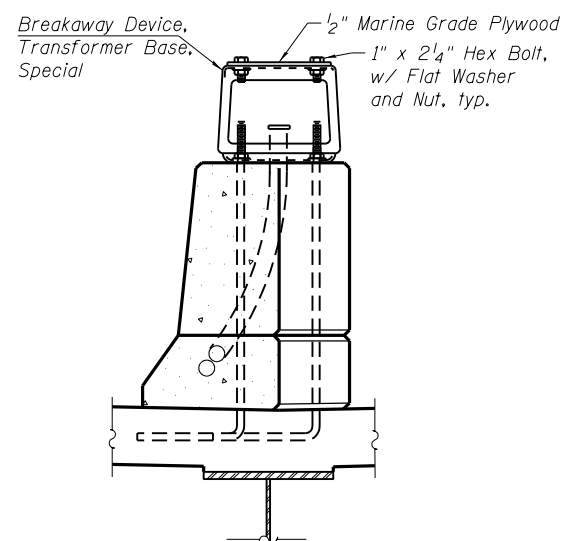


ANCHOR ROD - 1" ϕ
(ASTM F 1554 Grade 105) Full length hot dipped galvanized
Cost of anchor rods is included with Concrete Superstructure.

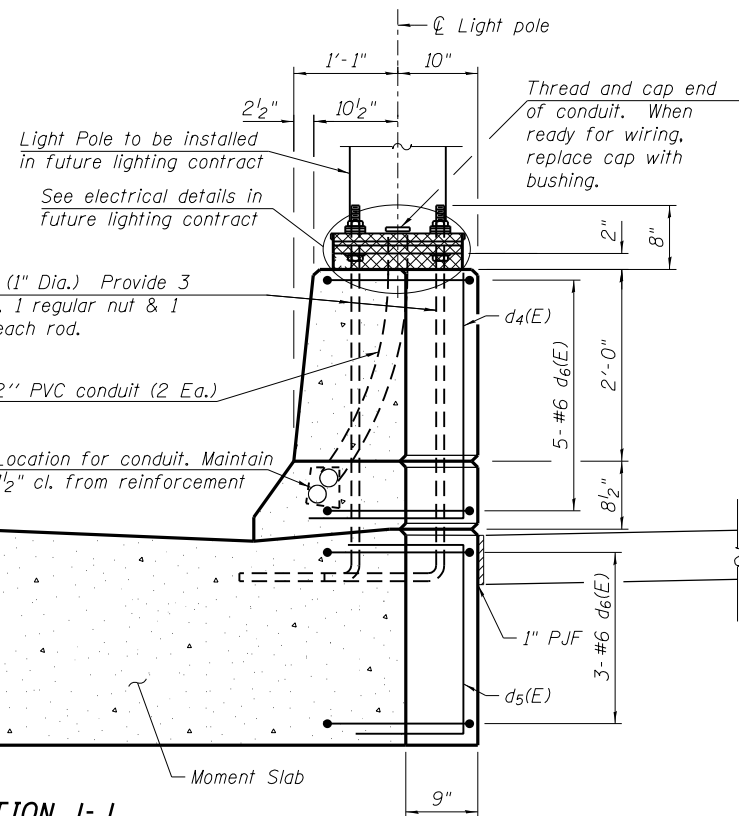
NOTES:

- Concrete and Reinforcing Steel for Coping are included in the cost of Mechanically Stabilized Earth Retaining Wall.
- For bar bending details and Bill of Material, see Sheet SB-14.
- F.F. = Front Face, B.F. = Back Face

LIGHT POLE BASE DETAIL
(4 Thus)

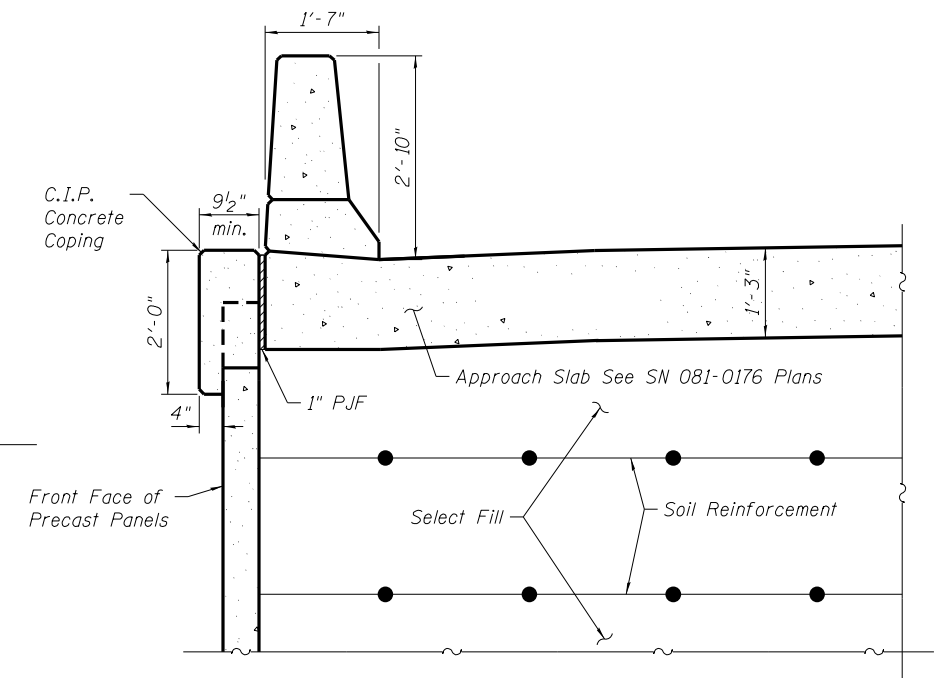


LIGHT POLE BASE PROTECTION DETAIL
(4 Thus)

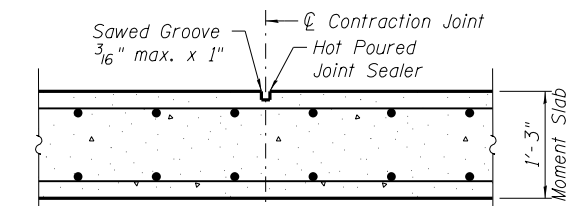


SECTION J-J
West Moment Slab Only

SECTION L-L



SECTION I-I



TRANSVERSE CONTRACTION JOINT
See Art. 420.05(c) of Standard Specifications

Note:
Joints in the adjacent pavement shall be in-line with the moment slab joints.

I:\PROJECTS\081-7003\CONTRACT\1\Design\Structure\CAD\Retaining Wall_081-7003\081-7003.13.Details-2.dgn



USER NAME = mteng	DESIGNED - SMY	REVISED -
PLOT SCALE = 2x0 5/8 '1' / 1"	CHECKED - BWS	REVISED -
PLOT DATE = 3/11/2013	DRAWN - RD	REVISED -
	CHECKED - BWS	REVISED -

STATE OF ILLINOIS
DEPARTMENT OF TRANSPORTATION

DETAILS - 2
STRUCTURE NO. 081-7003

SHEET NO. SB-13 OF SB-21 SHEETS

F.A.P. RTE.	SECTION	COUNTY	TOTAL SHEETS	SHEET NO.
595	(142-11R-1 and 142-11B)	ROCK ISLAND	507	355
CONTRACT NO. 64B84				

ILLINOIS FED. AID PROJECT