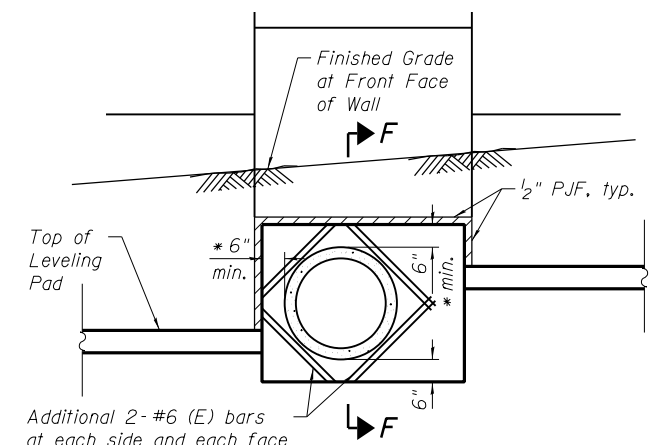
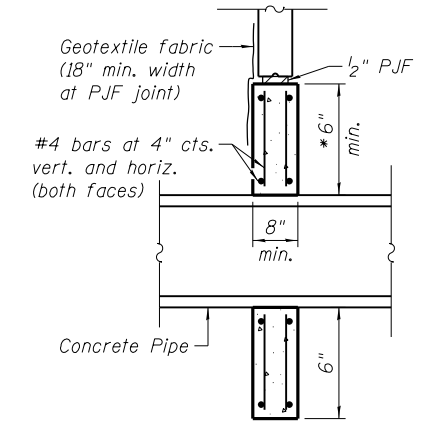


BILL OF MATERIAL

Bar	No.	Size	Length	Shape
a(E)	663	# 5	7'-3"	—
a1(E)	1245	# 5	4'-10"	—
a2(E)	663	# 5	7'-6"	—
a3(E)	582	# 5	7'-3"	—
a4(E)	582	# 5	7'-9"	—
a5(E)	10	# 5	4'-3"	—
a6(E)	96	# 5	4'-8"	—
a7(E)	409	# 5	6'-1"	—
a8(E)	409	# 5	2'-8"	—
b(E)	432	# 4	32'-1"	—
b1(E)	16	# 4	2'-8"	—
b2(E)	20	# 4	33'-7"	—
b3(E)	76	# 4	27'-2"	—
b4(E)	20	# 4	16'-9"	—
b5(E)	84	# 4	23'-11"	—
b6(E)	24	# 4	29'-4"	—
b7(E)	24	# 4	24'-6"	—
b8(E)	20	# 4	19'-11"	—
b9(E)	40	# 4	28'-9"	—
b10(E)	20	# 4	34'-11"	—
c(E)	20	# 5	2'-6"	—
d(E)	867	# 5	5'-7"	—
d1(E)	467	# 5	7'-6"	—
d2(E)	8	# 5	7'-11"	—
d3(E)	408	# 5	8'-11"	—
d4(E)	12	# 6	4'-5"	—
d5(E)	12	# 6	5'-9"	—
d6(E)	32	# 6	9'-8"	—
d8(E)	8	# 5	4'-8"	—
d9(E)	8	# 5	3'-5"	—
d10(E)	24	# 5	7'-3"	—
e(E)	182	# 4	14'-8"	—
e1(E)	18	# 4	32'-1"	—
e2(E)	17	# 8	34'-7"	—
e3(E)	28	# 4	15'-1"	—
e4(E)	15	# 4	16'-9"	—
e5(E)	14	# 4	16'-7"	—
e6(E)	3	# 4	34'-5"	—
e7(E)	2	# 8	36'-1"	—
e8(E)	2	# 4	27'-2"	—
e9(E)	2	# 8	29'-1"	—
e10(E)	1	# 8	16'-9"	—
e11(E)	8	# 4	2'-8"	—
e12(E)	1	# 8	2'-8"	—
e13(E)	1	# 8	19'-8"	—
e14(E)	1	# 8	29'-1"	—
e15(E)	36	# 4	19'-8"	—
e16(E)	7	# 4	9'-1"	—
e17(E)	7	# 4	11'-4"	—
e18(E)	7	# 4	12'-8"	—
e19(E)	28	# 4	16'-1"	—
e20(E)	14	# 4	17'-1"	—
e21(E)	21	# 4	17'-8"	—
e22(E)	2	# 4	28'-4"	—
e23(E)	1	# 4	33'-7"	—
e24(E)	1	# 8	33'-7"	—
e25(E)	2	# 8	30'-3"	—
e26(E)	1	# 8	34'-5"	—
e27(E)	7	# 4	9'-8"	—
Concrete Superstructure		Cu. Yd.	542.5	
Protective Coat		Sq. Yd.	930	
Reinforcement Bars, Epoxy Coated		Pound	65,160	



DETAIL B



SECTION F-F

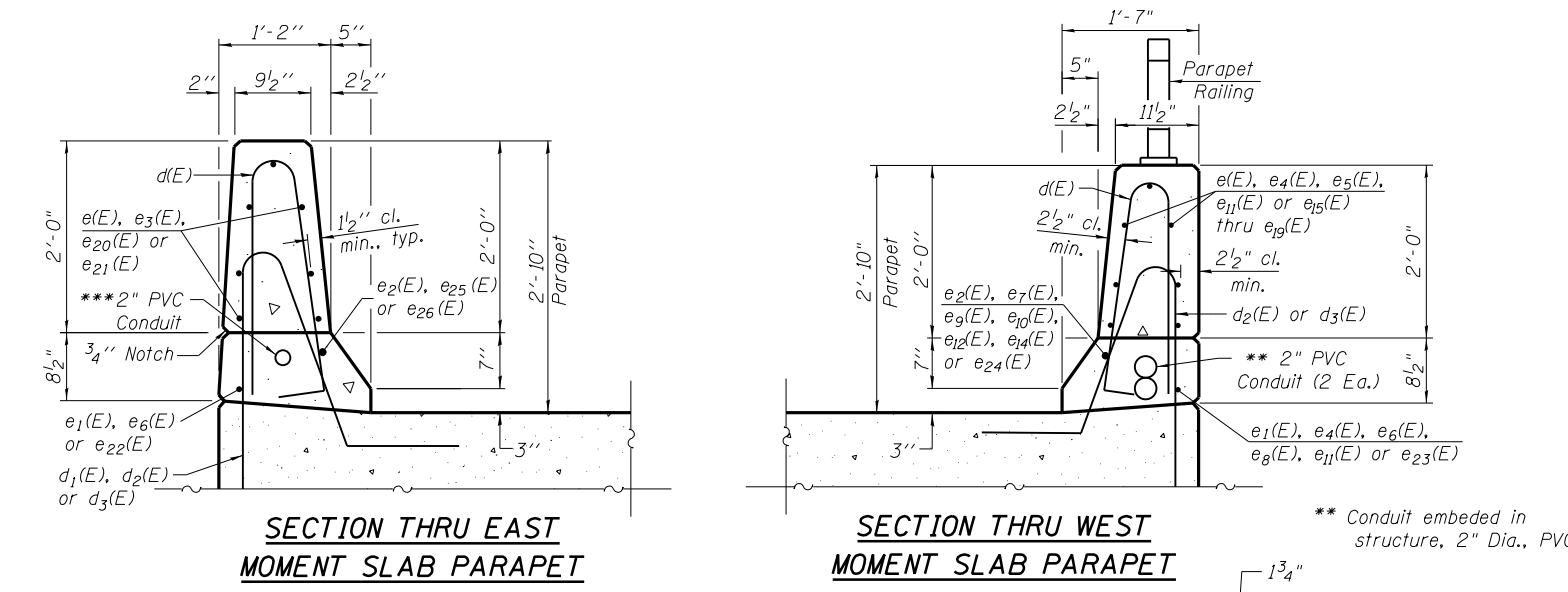
* Cast-in-place (C.I.P.) panel dimensions to be determined by precast panel supplier. Cost of C.I.P. panels including reinforcement in the C.I.P. panel and geotextile fabric is included in the pay item "Mechanically Stabilized Earth Retaining Wall".

COPING BILL OF MATERIAL
(For Information Only)

Bar	No.	Size	Length	Shape
d11(E)	81	# 4	1'-5"	—
h5(E)	10	# 4	25'-7"	—
h6(E)	20	# 4	18'-9"	—
h7(E)	10	# 4	9'-2"	—
u(E)	81	# 4	3'-5"	—
v11(E)	10	# 4	8'-9"	—

NOTES:

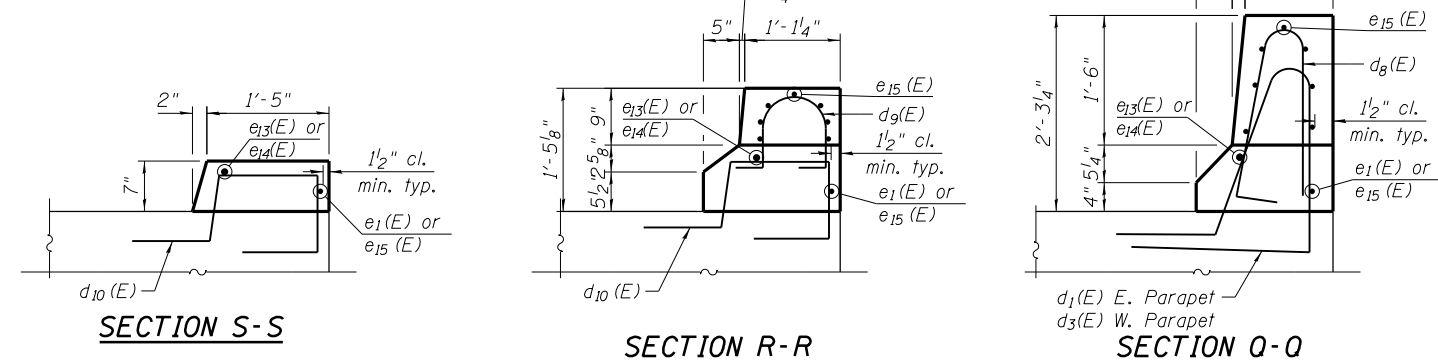
- See Sheets SB-5 thru SB-10 for d1(E), d2(E), d3(E) & d10(E) spacing.
- Protective Coat is applied to top of exposed moment slabs, top & inside vertical faces of parapets and top of exposed multi-use path moment slab.



SECTION THRU EAST MOMENT SLAB PARAPET

SECTION THRU WEST MOMENT SLAB PARAPET

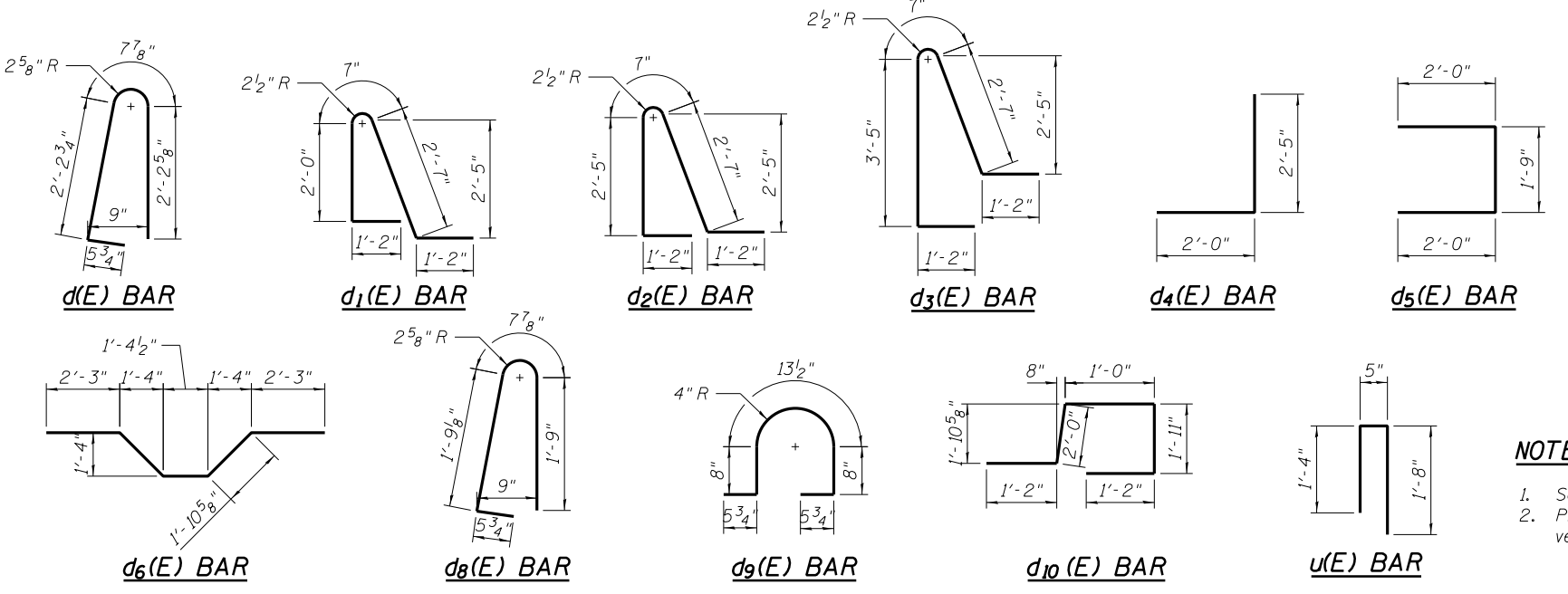
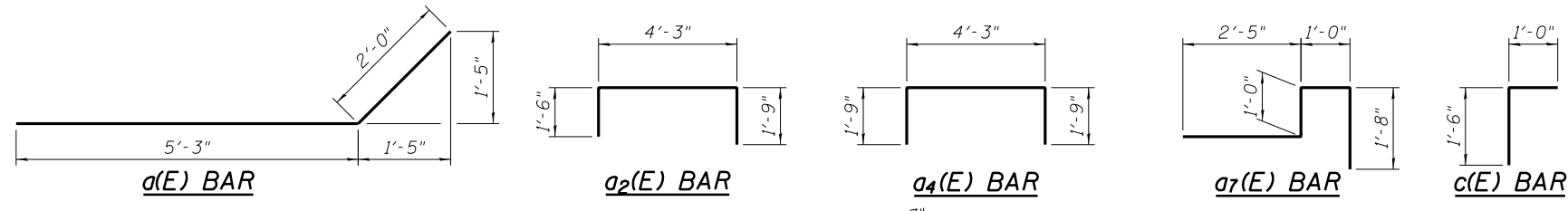
*** See Traffic Signal Plans



SECTION S-S

SECTION R-R

SECTION Q-Q



N:\PROJECTS\030333\CONTRACT_1\Design\Structure\CAD\Retaining Wall_081-7003\081-7003_14_Details-3_Revised.dgn
 08/15/2013 10:53:03 AM
 User: rdnley
 Plot Scale: 2/8" = 1'-0"
 Plot Date: 8/15/2013



USER NAME = rdnley	DESIGNED - SMY	REVISED - Addendum 1 8/15/2013
PLOT SCALE = 2/8" = 1'-0"	CHECKED - BWS	REVISED -
PLOT DATE = 8/15/2013	DRAWN - RD	REVISED -
	CHECKED - BWS	REVISED -

**STATE OF ILLINOIS
DEPARTMENT OF TRANSPORTATION**

**DETAILS - 3
STRUCTURE NO. 081-7003**
SHEET NO. SB-14 OF SB-21 SHEETS

F.A.P. RTE.	SECTION	COUNTY	TOTAL SHEETS	SHEET NO.
595	(142-11R-1 and 142-11B)	ROCK ISLAND	507	356
				CONTRACT NO. 64B84
ILLINOIS FED. AID PROJECT				