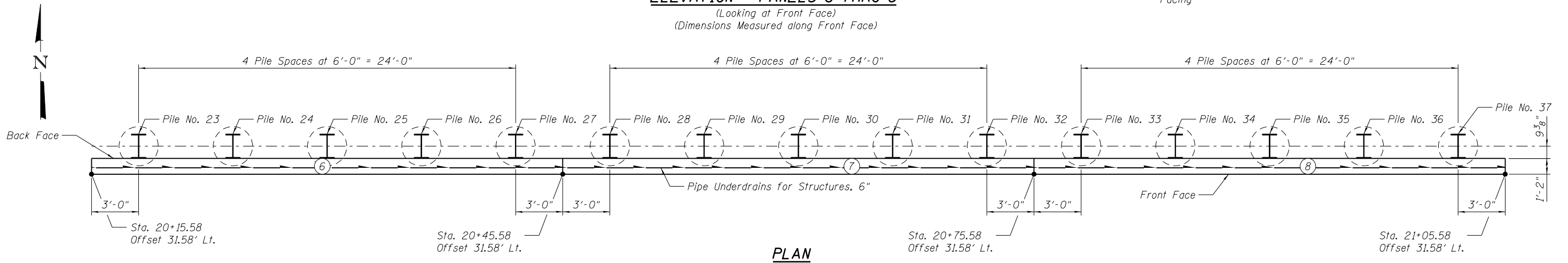
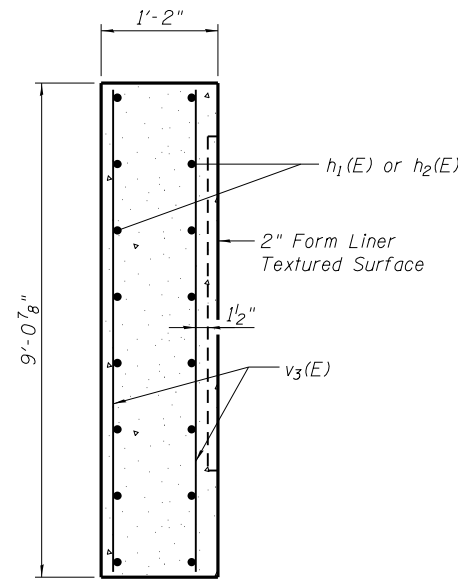


ELEVATION - PANELS 6 THRU 8

(Looking at Front Face)
(Dimensions Measured along Front Face)



PLAN



**SECTION THRU
CIP FACING**

MINIMUM BAR LAP
#5 bar = 3'-3"

LEGEND

⊕ = Panel Number
E.F. = Each Face

Notes:
For Top of Pile Elevations & Pile Tip Elevations, see Soldier Pile Summary on Sheet SD-3 of SD-18.
Space reinforcement to miss shear studs.

BAR LIST

Bar	No.	Size	Length	Shape
h ₁ (E)	20	#5	29'-9"	—
h ₂ (E)	40	#5	33'-3"	—
v ₃ (E)	180	#5	8'-8"	—

(Sheet 3 of 10)

LE LIN ENGINEERING, LTD. Consulting Engineers Springfield, Illinois	USER NAME =	DESIGNED - TBP	REVISED ADDENDUM 1 8/15/2013
	FILE NAME =	CHECKED - VPT	REVISED
	PLOT SCALE =	DRAWN - AJF	REVISED
	PLOT DATE =	CHECKED - MTH	REVISED

**STATE OF ILLINOIS
DEPARTMENT OF TRANSPORTATION**

**CONCRETE FACING
RETAINING WALL - STA. 18 + 89.06 TO STA. 27 + 37.02**

F.A.P. RTE.	SECTION	COUNTY	TOTAL SHEETS	SHEET NO.
595	(142-1R & 142-1HB)	ROCK ISLAND	507	363K
CONTRACT NO. 64B84				

SD-7 OF SD-18

ILLINOIS FED. AID PROJECT