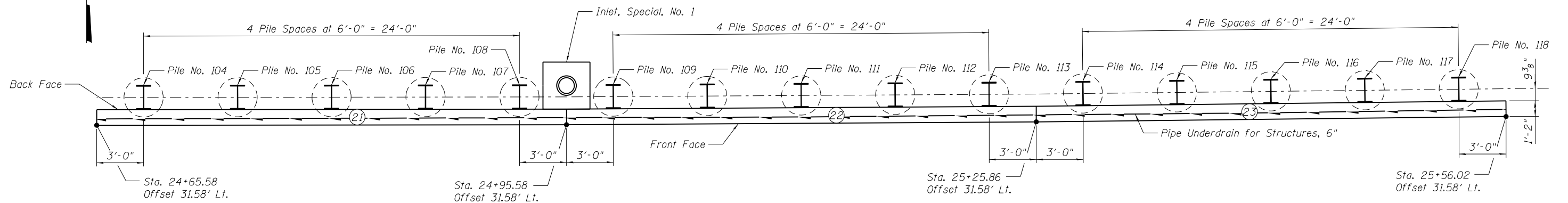
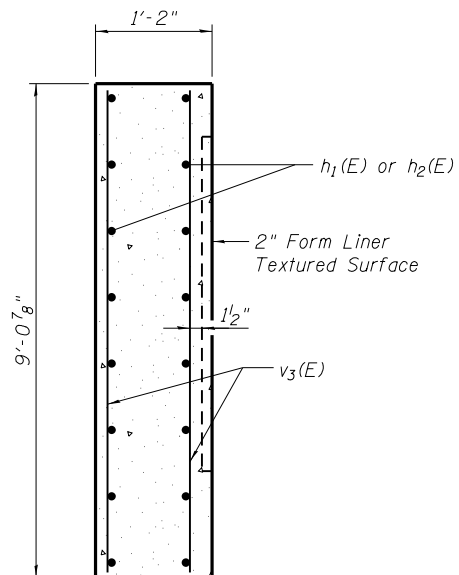


ELEVATION - PANELS 21 THRU 23
 (Looking at Front Face)
 (Dimensions Measured along Front Face)



PLAN



**SECTION THRU
 CIP FACING**

MINIMUM BAR LAP
 #5 bar = 3'-3"

LEGEND

- ⊙ = Panel Number
- E.F. = Each Face

Notes:
 For Top of Pile Elevations & Pile Tip Elevations, see Soldier Pile Summary on Sheet SD-3 of SD-18. Space reinforcement to miss shear studs.

BAR LIST

Bar	No.	Size	Length	Shape
h ₁ (E)	20	#5	29'-9"	—
h ₂ (E)	40	#5	33'-3"	—
v ₃ (E)	180	#5	8'-8"	—

(Sheet 8 of 10)