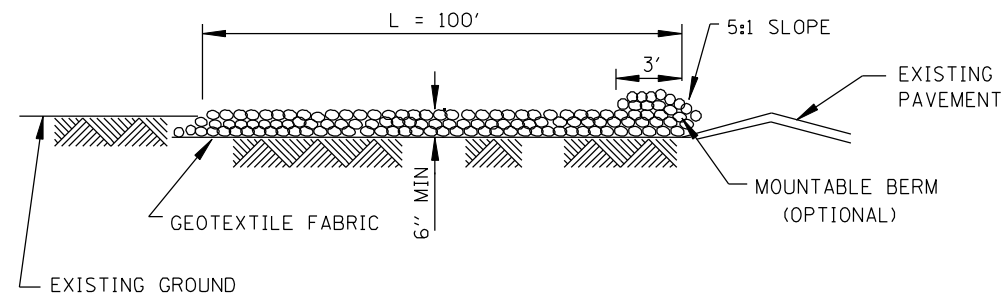
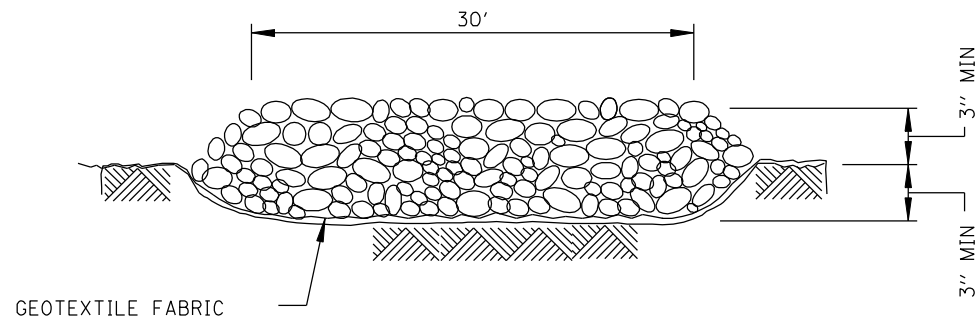


• MUST EXTEND FULL WIDTH OF INGRESS AND EGRESS OPERATION.

PLAN



SECTION A-A



STABILIZED CONSTRUCTION ENTRANCE DETAIL

NTS

NOTES: SEE SPECIAL PROVISIONS

FILE NAME: c:\projects\080319108\contract\1\design\misc\sheets\0264884-sht-Details.dgn

**Ciorba Group, Inc.**  
 CONSULTING ENGINEERS  
 5507 North Cumberland Avenue, Suite 402  
 Chicago, Illinois 60656  
 Tel. 773.776.4009 Fax 773.776.4014

USER NAME = espino	DESIGNED - JAS	REVISED -
	DRAWN - AMD	REVISED -
PLOT SCALE = 266.000532' / IN.	CHECKED - DMM	REVISED -
PLOT DATE = 3/11/2013	DATE - 3/11/2013	REVISED -

**STATE OF ILLINOIS  
 DEPARTMENT OF TRANSPORTATION**

**FAP 595 (JOHN DEERE ROAD)  
 DETAILS**

SCALE: N/A SHEET NO. OF SHEETS STA. TO STA.

F.A.P. RTE.	SECTION	COUNTY	TOTAL SHEETS	SHEET NO.
595	(142-1)R & 142-1HB	ROCK ISLAND	507	365
CONTRACT NO. 64B84				
ILLINOIS FED. AID PROJECT				