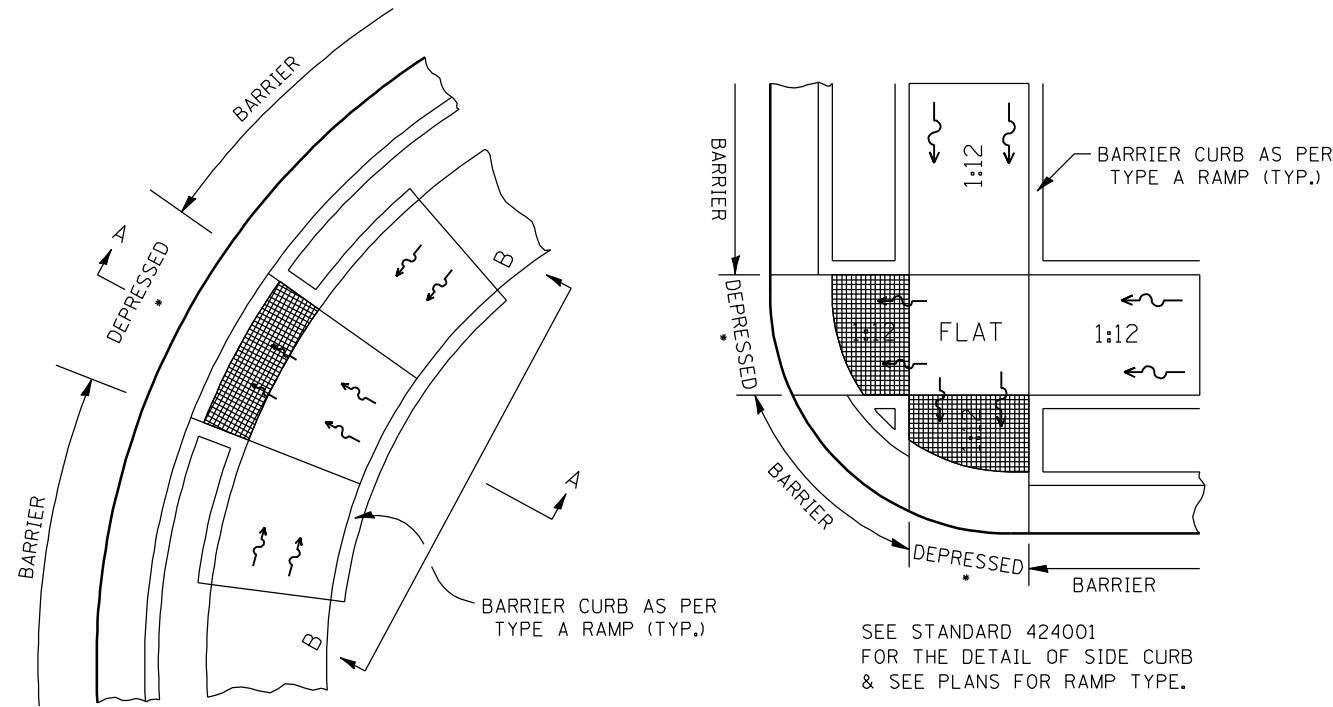
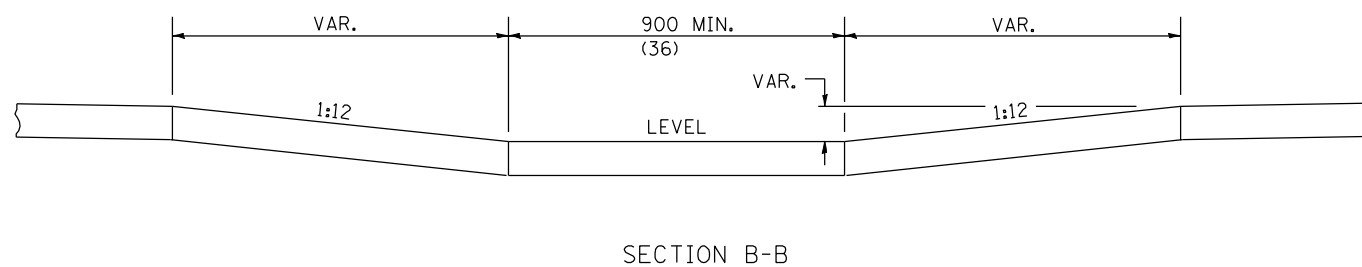
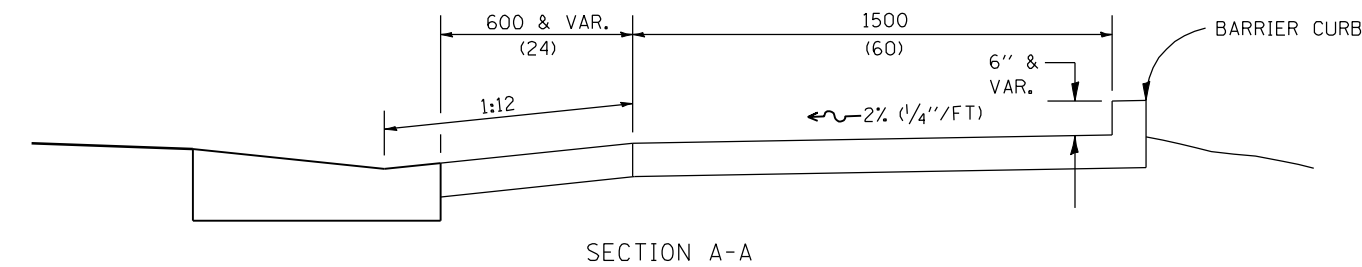


DISABLED RAMP DETAIL FOR TYPE A



ALL DIMENSIONS ARE IN MILLIMETERS (INCHES) UNLESS OTHERWISE NOTED.

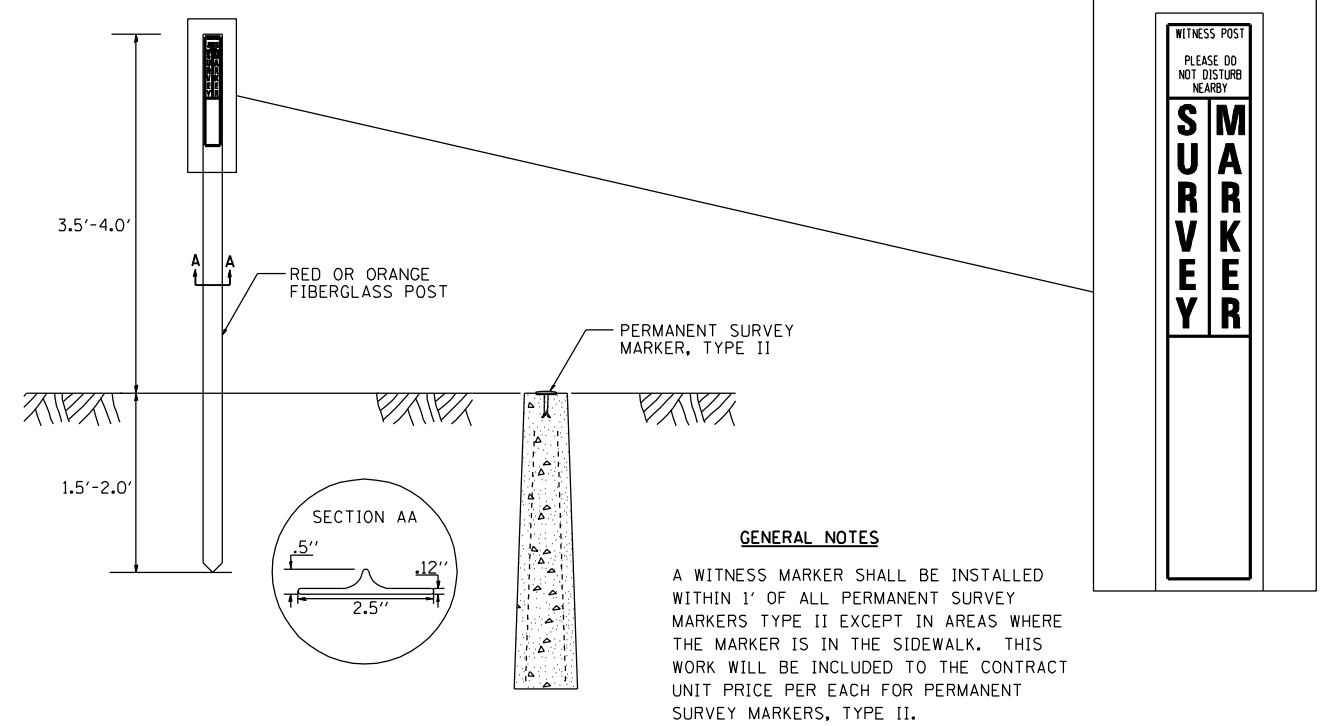
• SEE NOTE BELOW



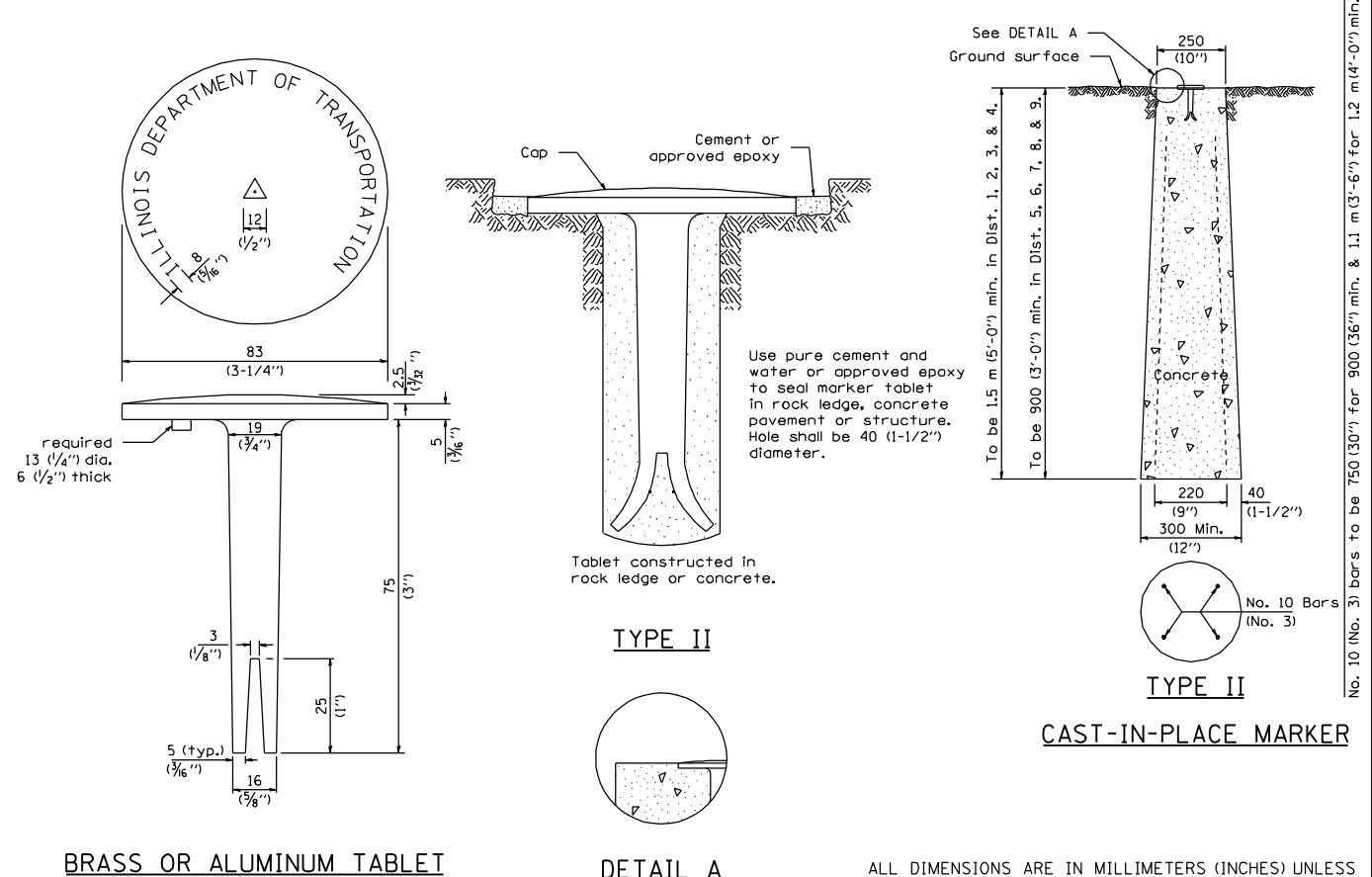
NOTES : THIS DETAIL TO BE USED IN CONJUNCTION WITH STATE STANDARD 424001. THE MAXIMUM ALLOWABLE CROSS SLOPE FOR SIDEWALK IS 2% (1/4"/FT) . THE MAXIMUM ALLOWABLE SIDEWALK GRADE IS 8% (1/2"/FT) . IF SPACE LIMITATIONS PROHIBIT THE USE OF THE 1:12 SLOPE, THEN SLOPES BETWEEN 1:10 ARE 1:12 ARE PERMITTED FOR A MAXIMUM RISE OF 150 (6) . SLOPES 1:8 AND 1:10 ARE ALLOWED FOR A MAXIMUM RISE OF 75 (3) . SLOPES STEEPER THAN 1:8 ARE NOT PERMITTED. THE DEPRESSED CURB IS NOT STANDARD. THE RISE IS 13(1/2) INSTEAD OF 40(1/2) .

REVISED - 10-15-10

WITNESS MARKER FOR PERMANENT SURVEY MARKERS, TYPE II



PERMANENT SURVEY MARKERS, TYPE II



BRASS OR ALUMINUM TABLET

DETAIL A

CAST-IN-PLACE MARKER

ALL DIMENSIONS ARE IN MILLIMETERS (INCHES) UNLESS OTHERWISE NOTED.

REVISED - 4-4-11	REGION 2 / DISTRICT 2 STANDARD		F.A.P. RTE.	SECTION	COUNTY	TOTAL SHEETS	SHEET NO.
REVISED -	SCALE: 40,000' / IN	SHEET NO. OF SHEETS	595	(142-1)R & 142-1)B	ROCK ISLAND	507	374
REVISED -	STA. TO STA.	CONTRACT NO. 64B84	FED. ROAD DIST. NO. ILLINOIS FED. AID PROJECT				