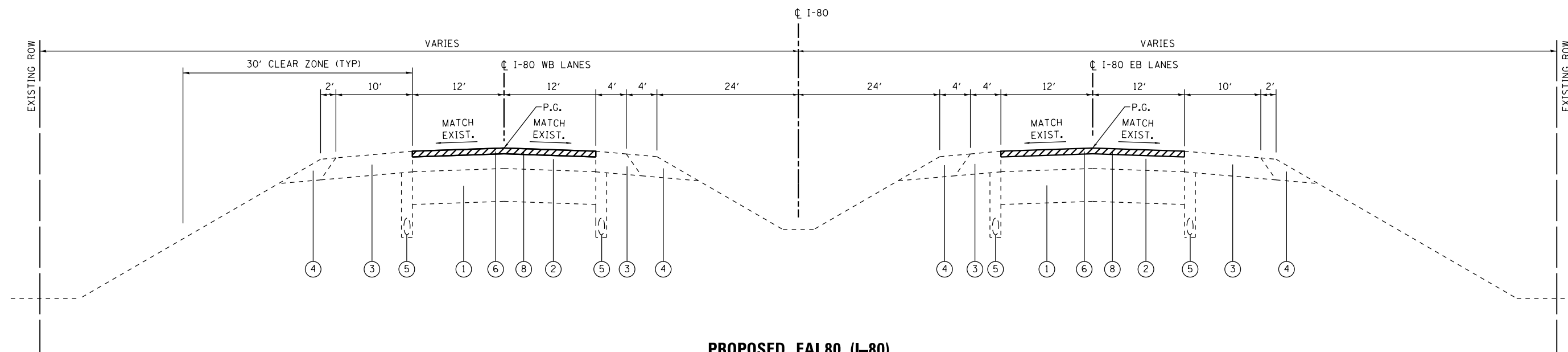


PROPOSED FAI 80 (I-80)

STA. 431+50.00 TO STA. 435+60.00 EB [4][6]
 STA. 433+00.00 TO STA. 435+60.00 WB [4][6]



PROPOSED FAI 80 (I-80)

STA. 404+59.85 TO STA. 422+20.00 EB [5]
 STA. 435+60.00 TO STA. 444+69.24 EB
 STA. 404+59.85 TO STA. 422+29.48 WB [5]
 STA. 435+60.00 TO STA. 444+87.68 WB

- [1] SEE STANDARD 482001 FOR SHOULDER CROSS SLOPE
- [2] VARIES 1:2 TO 1:4, SEE CROSS SECTIONS
- [3] SEE STANDARD 642001 FOR RUMBLE STRIP
 STA. 428+30 TO STA. 435+60 EB
 STA. 427+40 TO STA. 435+60 WB
- [4] SUPERELEVATION TRANSITION (SEE TABLE)
 STA. 434+50.70 TO STA. 435+34.70 EB
 STA. 434+69.14 TO STA. 435+53.14 WB
- [5] OMISSION - EXISTING DEVILS SLOUGH BRIDGE STRUCTURE, APPROACHES AND CONNECTORS
 S.N. 006-0009 - STA. 422+20.00 TO STA. 423+94.53 EB
 S.N. 006-0010 - STA. 422+29.48 TO STA. 424+10.27 WB
- [6] BUTT JOINT INCLUDED IN STATION RANGE
- [7] SEE STAGING TYPICALS FOR SHOULDER WORK

LEGEND

- [1] EXISTING CONCRETE PAVEMENT 10"
 - [2] EXISTING HOT-MIX ASPHALT RESURFACING 6 1/4"
 - [3] EXISTING HOT-MIX ASPHALT SHOULDER
 - [4] EXISTING AGGREGATE SHOULDER
 - [5] EXISTING PIPE UNDERDRAIN
 - [6] PROPOSED HOT-MIX ASPHALT SURFACE REMOVAL 1 3/4"
 - [7] PROPOSED HOT-MIX ASPHALT BINDER COURSE, VARIABLE DEPTH
 - [8] PROPOSED HOT-MIX ASPHALT SURFACE COURSE, 1 3/4"
 - [9] PROPOSED HOT-MIX ASPHALT SHOULDERS, VARIABLE DEPTH
 - [10] PROPOSED AGGREGATE SHOULDERS, TYPE B, 6"
 - [11] PROPOSED AGGREGATE BASE COURSE TYPE B, 10"
 - [12] PROPOSED PORTLAND CEMENT CONCRETE SIDEWALK, 6"
 - [13] PROPOSED HOT-MIX ASPHALT SURFACE REMOVAL, VAR. DEPTH
 - [14] PROPOSED HOT-MIX ASPHALT SURFACE COURSE, VAR. DEPTH
- [Hatched Box] HMA SURFACE REMOVAL

FILE NAME = D366998-sht-typical.dgn	USER NAME = brianheil	DESIGNED -	REVISED -
	PLOT TIME = 7:18:24 PM	DRAWN -	REVISED -
	PLOT SCALE = 100.0000' / in.	CHECKED -	REVISED -
	PLOT DATE = 7/30/2013	DATE -	REVISED -

**STATE OF ILLINOIS
 DEPARTMENT OF TRANSPORTATION**

TYPICAL SECTIONS	
SCALE:	SHEET 4 OF 6 SHEETS STA. TO STA.

F.A.I. RTE.	SECTION	COUNTY	TOTAL SHEETS	SHEET NO.
80	(06-2) BR-3,4	BUREAU	133	14
CONTRACT NO. 66998				
ILLINOIS FED. AID PROJECT				