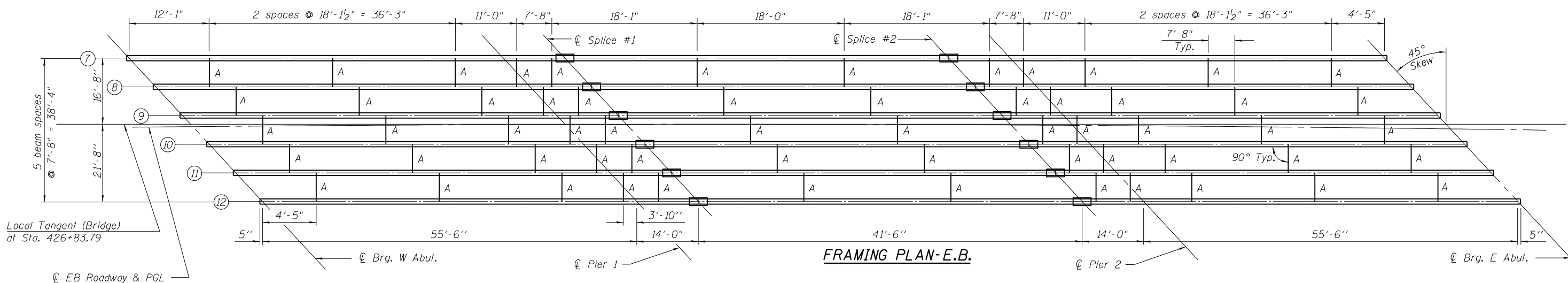
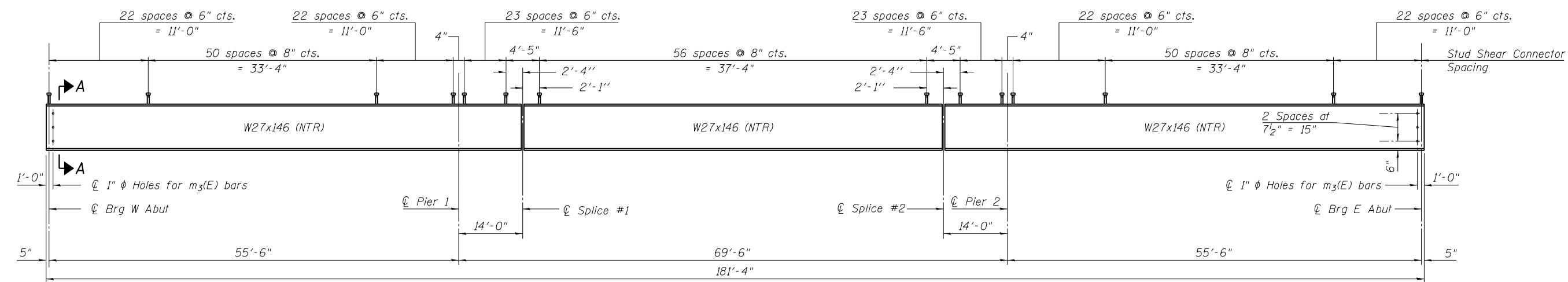


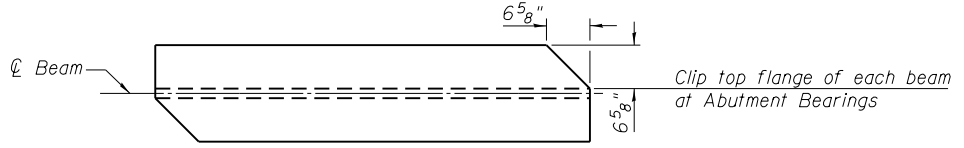
FRAMING PLAN-W.B.



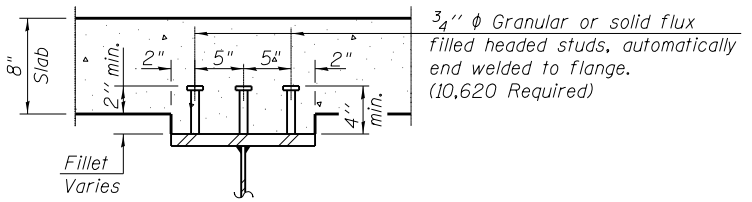
FRAMING PLAN-E.B.



ELEVATION



PLAN



SECTION A-A

Notes:
 For diaphragm details see Sheet 23 of 43.
 All diaphragms shall be installed as steel is erected and secured with erection pins and bolts except as otherwise noted. Individual diaphragms at supports may be temporarily disconnected to install bearing anchor rods.
 Load carrying components designated "NTR" shall conform to the Impact Testing Requirement, Zone 2.

FILE NAME = 0060184_0185_66998-22-FramingPlan.dgn
 MODEL = Default
 PLOT DRIVER = V8_PDF_11x17.plt;f9



USER NAME = tfray	DESIGNED - SCD	REVISED
FILE NAME =	CHECKED - DRB	REVISED
PLOT SCALE = 2400:0.0000 1' / ft.	DRAWN - TKW	REVISED
PLOT DATE = 7/29/2013	CHECKED - SCD	REVISED

STATE OF ILLINOIS
 DEPARTMENT OF TRANSPORTATION

FRAMING PLAN
 STRUCTURE NO. 006-0184 (E.B.) & 006-0185 (W.B.)

SHEET NO. 22 OF 43 SHEETS

F.A.I. RTE.	SECTION	COUNTY	TOTAL SHEETS	SHEET NO.
80	06-2IBR-3,4	BUREAU	133	66
CONTRACT NO. 66998				

ILLINOIS FED. AID PROJECT