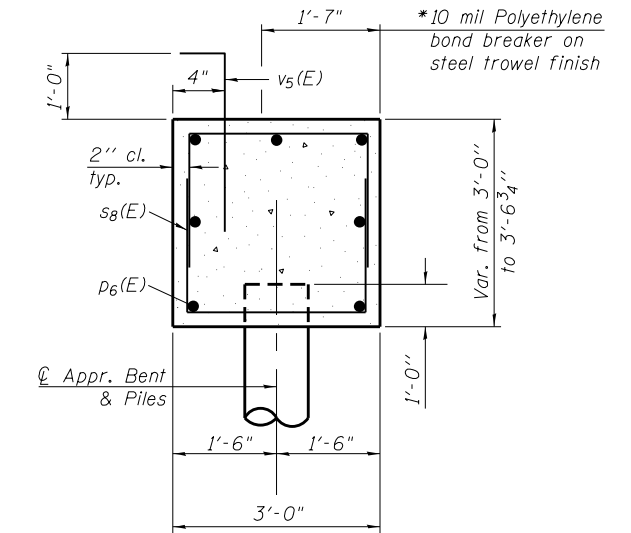
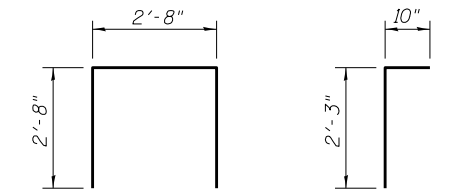


APPROACH BENT PLAN



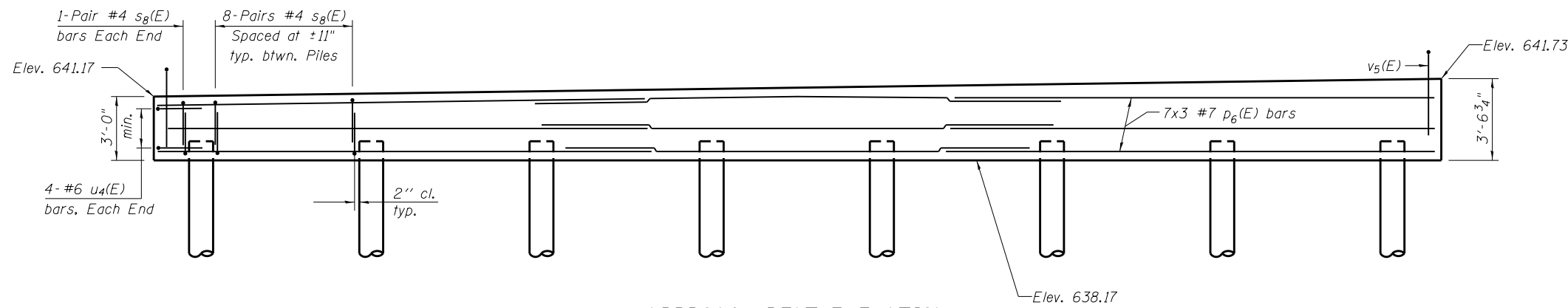
SECTION THRU BENT

(Looking North)
Dimensions at right angles to Bent
* Cost included with Concrete Superstructure



BAR s8(E)

BAR v5(E)

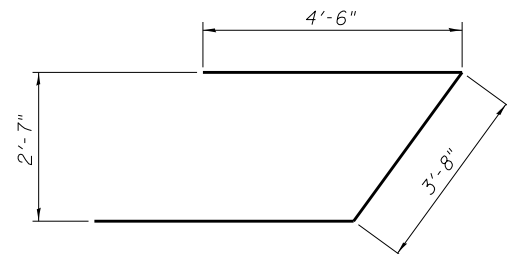


APPROACH BENT ELEVATION

(Looking West)

PILE DATA

Type: 14" Metal Shell x 0.25"
Nominal Required Bearing: 260 kips
Factored Resistance Available: 143 kips
Est. Length: 50'
No. Production Piles: 7
No. Test Piles: 1



Bar u4(E)

MINIMUM BAR LAP

#4 bar = 2'-1"
#7 bar = 5'-10"

BILL OF MATERIAL

(WB Appr. Bent)

Bar	No.	Size	Length	Shape
p6(E)	21	#7	24'-0"	—
s8(E)	116	#4	8'-0"	⊔
u4(E)	8	#6	12'-8"	⊔
v5(E)	56	#5	3'-1"	⊔
Structure Excavation		Cu. Yd.	49	
Concrete Structures		Cu. Yd.	22.1	
Reinforcement Bars, Epoxy Coated		Pound	1,980	
Furnishing Metal Shell Piles 14"x 0.25"		Foot	350	
Driving Piles		Foot	350	
Test Pile Metal Shells		Each	1	

For details of piles see sheet 35 of 43.
Bars indicated thus 7x3-#7 etc. indicates 7 line of bars with 3 lengths per line.

FILE NAME = 0060184_0185_66998-25-WB_bent.dgn
MODEL = Default
PLOT DRIVER = V8_PDF_11x17.plt



USER NAME = tfray	DESIGNED - SCD	REVISED
FILE NAME =	CHECKED - DRB	REVISED
PLOT SCALE = 480:0.0000 ' / ft.	DRAWN - TKW	REVISED
PLOT DATE = 7/29/2013	CHECKED - SCD	REVISED

**STATE OF ILLINOIS
DEPARTMENT OF TRANSPORTATION**

**APPROACH BENT DETAILS
STRUCTURE NO. 006-0185 (W.B.)**

SHEET NO. 25 OF 43 SHEETS

F.A.I. RTE.	SECTION	COUNTY	TOTAL SHEETS	SHEET NO.
80	(06-2)BR-3,4	BUREAU	133	69
CONTRACT NO. 66998				

ILLINOIS FED. AID PROJECT