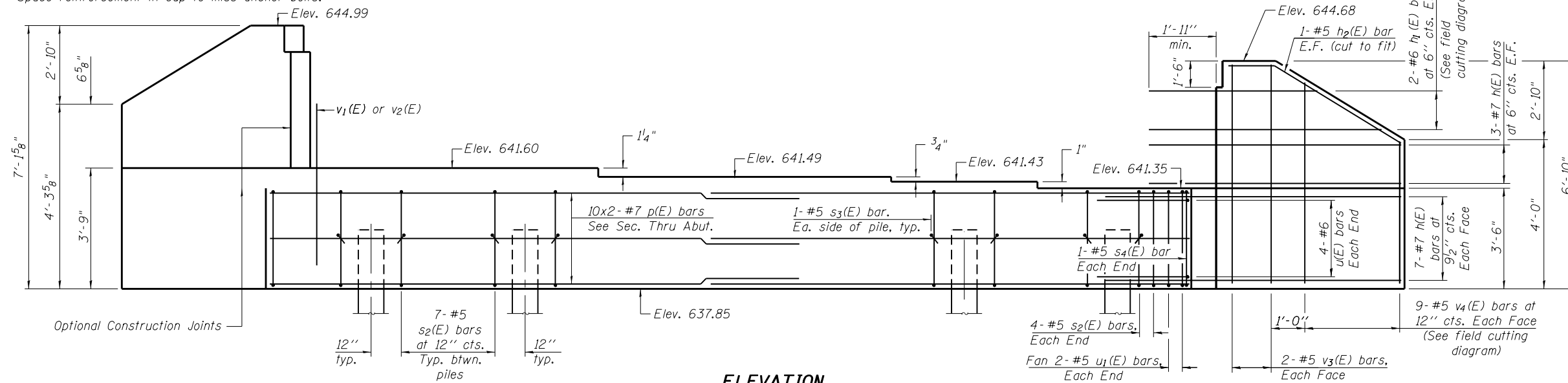
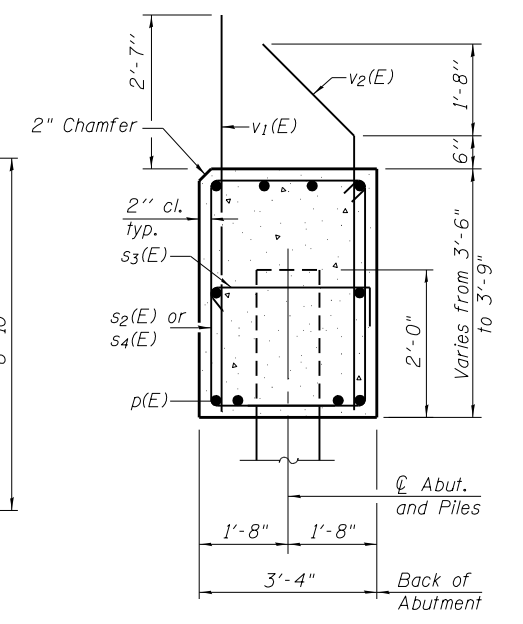


Notes:
 Pour steps monolithically with cap.
 Space reinforcement in cap to miss anchor bolts.



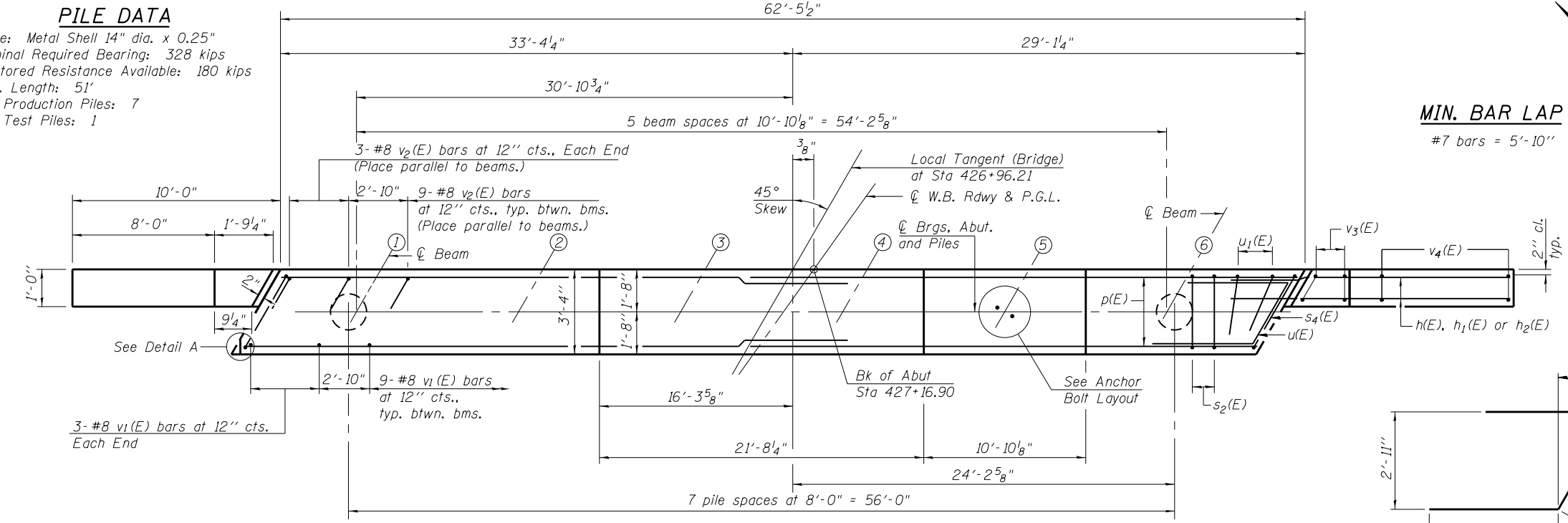
ELEVATION



SEC. THRU ABUT.

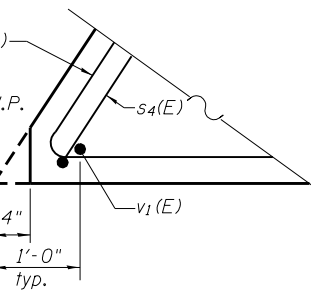
Dimensions at right angles to abutment.

PILE DATA
 Type: Metal Shell 14" dia. x 0.25"
 Nominal Required Bearing: 328 kips
 Factored Resistance Available: 180 kips
 Est. Length: 51'
 No. Production Piles: 7
 No. Test Piles: 1

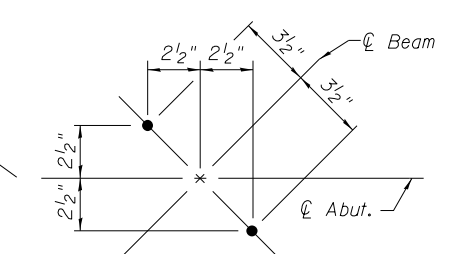


PLAN

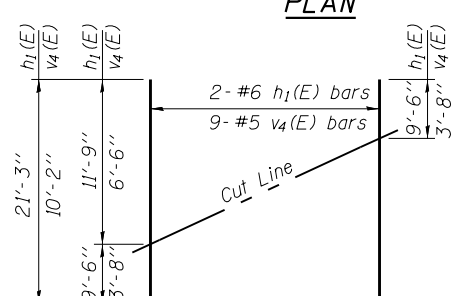
MIN. BAR LAP
 #7 bars = 5'-10"



DETAIL A

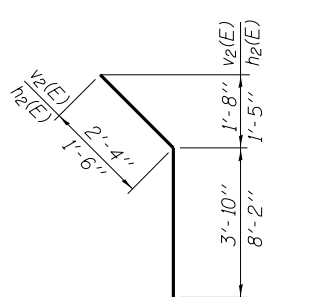


ANCHOR BOLT LAYOUT

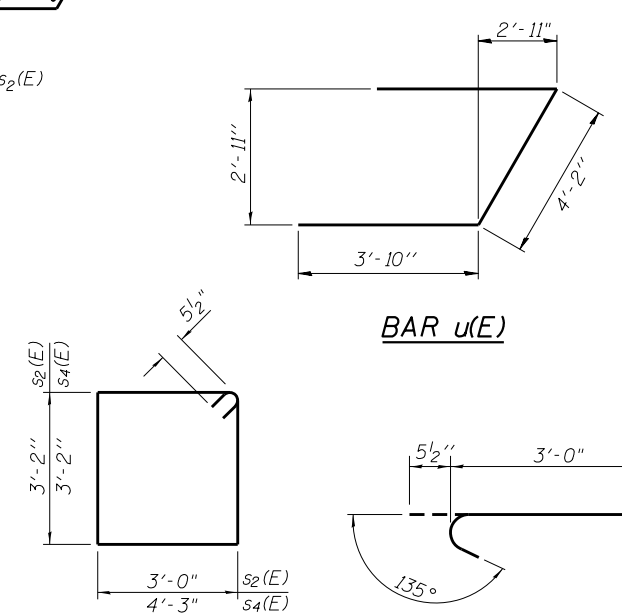


FIELD CUTTING DIAGRAM

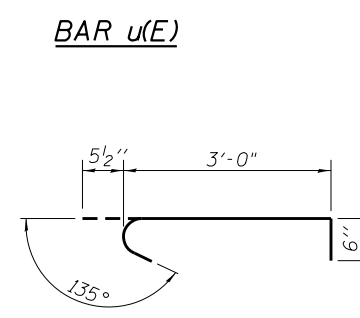
Order h1(E) and v4(E) full length. Cut as shown and use remainder of bars in opposite face.



BAR v2(E) & h2(E)



BAR s2(E) & s4(E)



BAR s3(E)

BAR u1(E)

BILL OF MATERIAL

Bar	No.	Size	Length	Shape	
h(E)	40	#7	13'-6"	—	
h1(E)	4	#6	21'-3"	—	
h2(E)	4	#5	9'-8"	—	
p(E)	20	#7	34'-0"	—	
s2(E)	57	#5	13'-3"	□	
s3(E)	16	#5	4'-0"	□	
s4(E)	2	#5	15'-9"	□	
u(E)	8	#6	11'-10"	┘	
u1(E)	4	#5	9'-2"	┘	
v1(E)	51	#8	5'-11"	—	
v2(E)	51	#8	6'-2"	—	
v3(E)	8	#5	6'-5"	—	
v4(E)	18	#5	10'-2"	—	
Structure Excavation				Cu. Yd.	209
Concrete Structures				Cu. Yd.	32.2
Reinforcement Bars, Epoxy Coated				Pound	5,620
Furnishing Metal Shell Piles, 14"x0.25"				Foot	357
Driving Piles				Foot	357
Test Pile Metal Shells				Each	1

For details of piles see sheet 35 of 43.
 Bars indicated thus 10x2-#7 etc. indicates 10 line of bars with 2 lengths per line.

FILE NAME = 0060184_0185_66998-30-E.AbutWB.dgn
 MODEL = Default
 PLOT DRIVER = V8_PDF_11x17.pltcf9



USER NAME = tfray	DESIGNED - SCD	REVISIONS
FILE NAME =	CHECKED - DRB	REVISIONS
PLOT SCALE = 88.0000' / ft.	DRAWN - TKW	REVISIONS
PLOT DATE = 7/29/2013	CHECKED - SCD	REVISIONS

STATE OF ILLINOIS
 DEPARTMENT OF TRANSPORTATION

EAST ABUTMENT DETAILS
 STRUCTURE NO. 006-0185 (W.B.)

SHEET NO. 30 OF 43 SHEETS

F.A.I. RTE.	SECTION	COUNTY	TOTAL SHEETS	SHEET NO.
80	(06-2)BR-3,4	BUREAU	133	74
CONTRACT NO. 66998				
ILLINOIS FED. AID PROJECT				