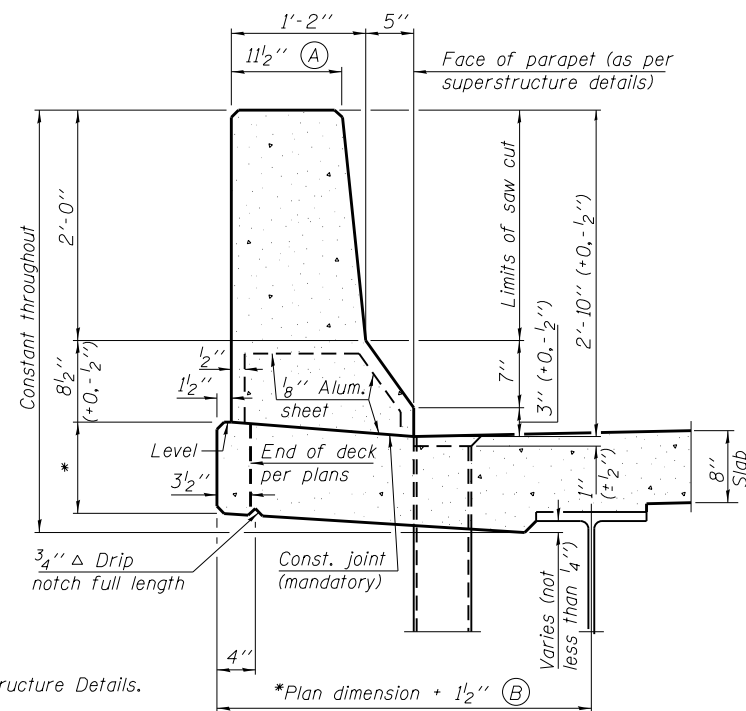
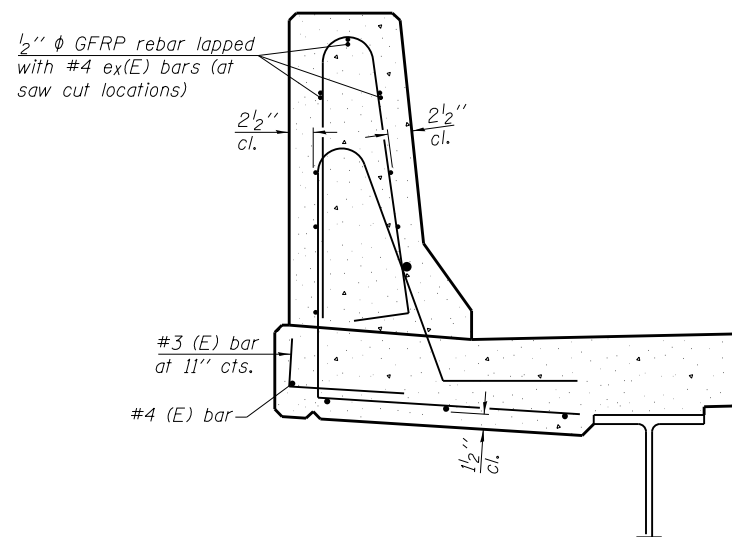


GENERAL NOTES

All dimensions shall remain the same as shown on superstructure details, except dimensions A and B which are to be revised as shown to provide additional clearance. Additional concrete needed to revise dimension A and B = 0.0165 cu. yds./ft. for 34" parapet or = 0.0223 cu. yds./ft. for 42" parapet. Place aluminum sheet in curb portion at and near piers. Full thickness saw cut at all joint locations in lieu of cork joint filler. Steel superstructure shown. Other superstructure types similar.

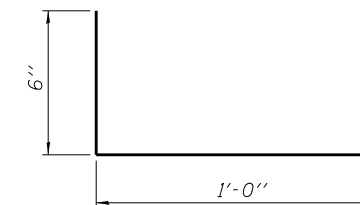


34" F SHAPE PARAPET SECTION
(Showing dimensions)

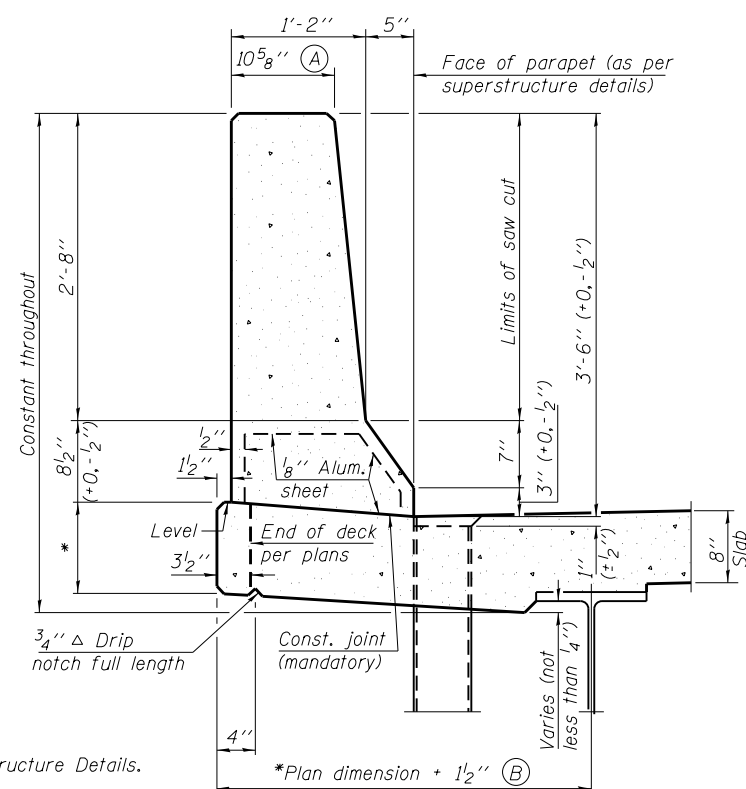


SECTION

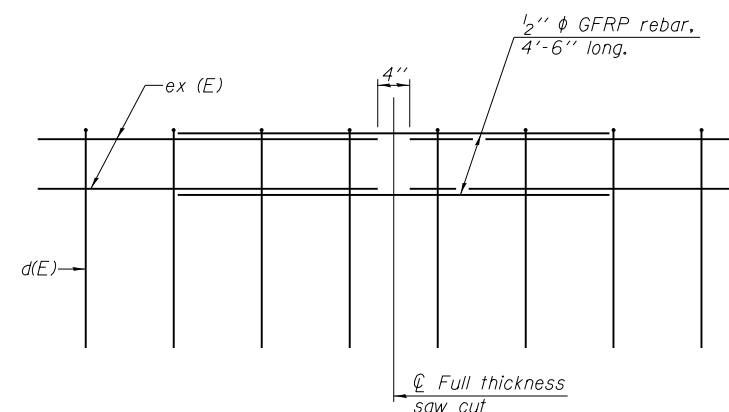
(34" parapet shown - 42" parapet similar)
(Showing reinforcement clearances for slip forming and additional reinforcement bars)



#3 (E) BAR

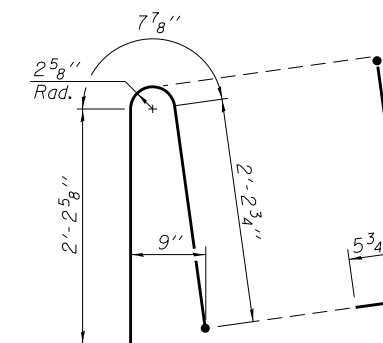


42" F SHAPE PARAPET SECTION
(Showing dimensions)

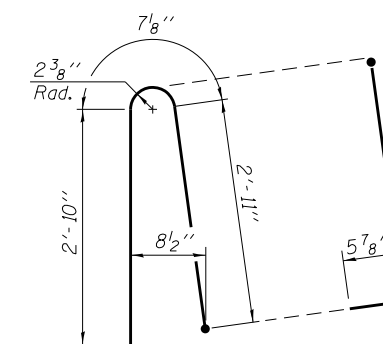


GFRP REBAR STIFFENING DETAIL

(Place as shown in parapet section at each parapet joint location.)



ALTERNATE BAR d(E)
(For 34" parapet when conduit is present)



ALTERNATE BAR d(E)
(For 42" parapet when conduit is present)

SFP 34-42

8-16-12



OATES ASSOCIATES
Engineering + Architecture
100 Lamar Court, Suite 100
Columbia, MD 21034
Tel: 410.345.2200
Fax: 410.345.2200
www.oatesassociates.com

USER NAME =	DESIGNED -	REVISED -
PLOT SCALE =	CHECKED -	REVISED -
PLOT DATE =	DRAWN -	REVISED -
	CHECKED -	REVISED -

STATE OF ILLINOIS
DEPARTMENT OF TRANSPORTATION

CONCRETE PARAPET SLIPFORMING OPTION
STRUCTURE NO. 006-0184 (E.B.) & 006-0185 (W.B.)

SHEET NO. 37 OF 43 SHEETS

F.A.I. RTE.	SECTION	COUNTY	TOTAL SHEETS	SHEET NO.
80	(06-2)BR-3,4	BUREAU	133	81
CONTRACT NO. 66998				
ILLINOIS FED. AID PROJECT				