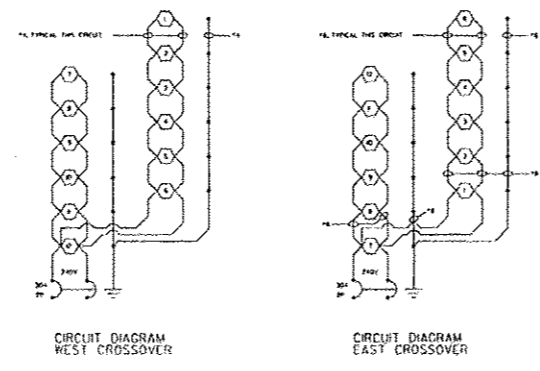
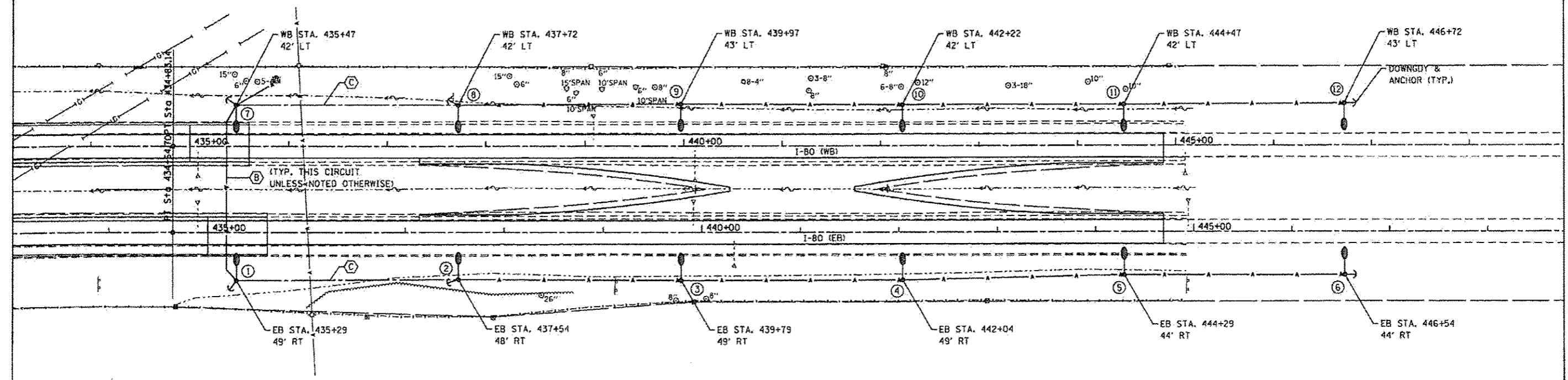


NOTES:
 1. ALL NECESSARY REVISIONS TO THE WIRING SHOWN ON THIS SHEET SHALL BE MADE AT NO ADDITIONAL COST TO THE DEPARTMENT AND TO THE SATISFACTION OF THE ENGINEER.



○ PROPOSED 250W ROADWAY LUMINAIRE



Notes:
 1. See plan sheet 43 for legend, cable schedule, notes, and

BILL OF MATERIALS

ITEM	UNIT	TOTAL
ELECTRIC SERVICE INSTALLATION	EACH	2
UNIT DUCT, 600V, 2-1/C NO. 8, 1/C NO. 8 GROUND, (XLP-TYPE USE), 3/4" DIA. POLY	FOOT	626
UNIT DUCT, 600V, 2-1/C NO. 4, 1/C NO. 6 GROUND, (XLP-TYPE USE), 1" DIA. POLY	FOOT	710
LIGHT POLE, WOOD, 50 FOOT, CLASS 3	EACH	24
AERIAL CABLE, 2-1/C NO. 4 WITH MESSENGER WIRE	FOOT	2,430
AERIAL CABLE, 2-1/C NO. 6 WITH MESSENGER WIRE	FOOT	2,035
LUMINAIRE, SODIUM VAPOR, MULTI-MOUNT, 250 WATT	EACH	24
LIGHTING CONTROLLER, POLE MOUNTED, 240 VOLT, 30 AMP	EACH	2
REMOVAL OF TEMPORARY LIGHTING UNIT	EACH	24
REMOVAL OF LIGHTING CONTROLLER	EACH	2
REMOVAL OF ELECTRIC SERVICE INSTALLATION	EACH	2

NOTE: QUANTITIES SHOWN ARE FOR ESTIMATING PURPOSES ONLY. THE COST TO INSTALL AND REMOVE THE TEMPORARY LIGHTING SYSTEM WILL BE BASED ON A LUMP SUM PRICE.

