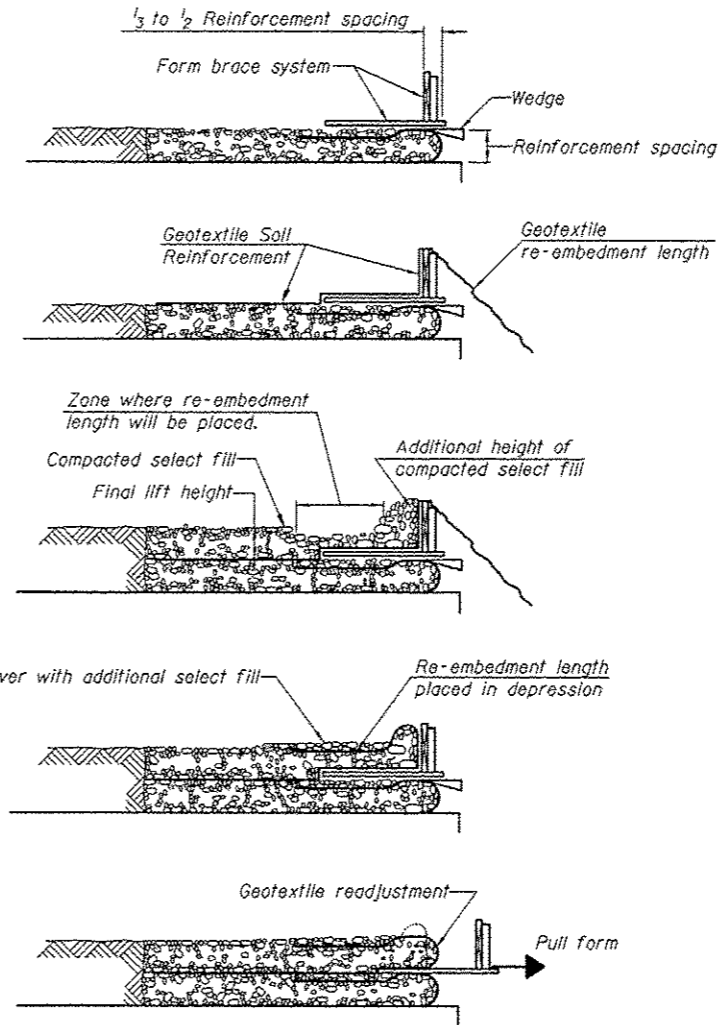


SECTION A-A
Horizontal dimensions are at
Rt. L's to @ F.A.P. Rte. 311

Note:
The geotextile soil reinforcement shall have a minimum allowable tensile strength (T min.) of 25 lb./in. as determined by the procedure described in the Special Provision. The computations supporting the determination of (T min.) shall be submitted to the Engineer for approval.

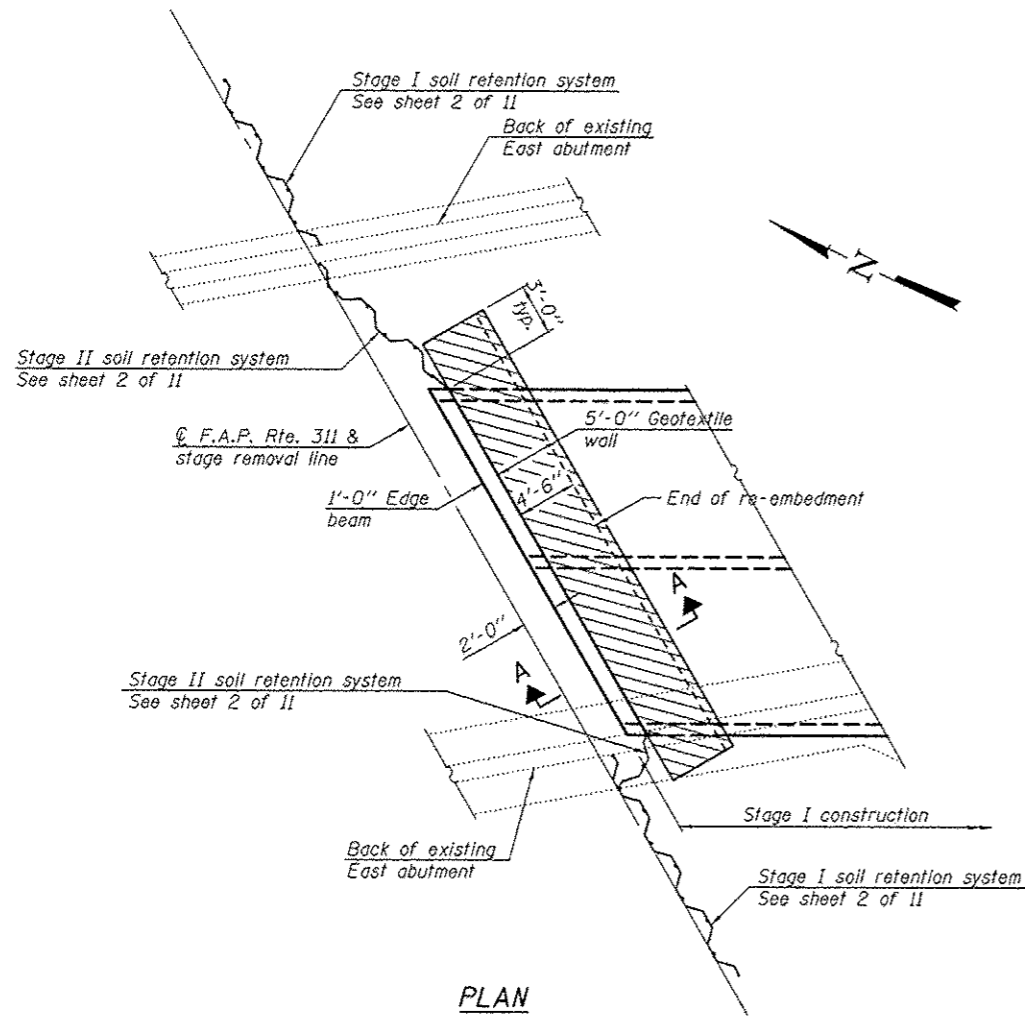
LEGEND

- Indicates limits of geotextile wall
- Indicates limits of select fill

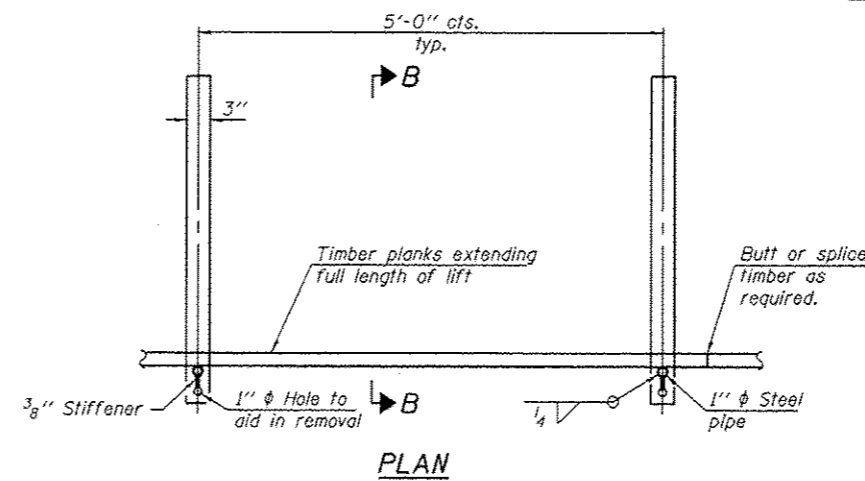


1. Place form brace system on completed reinforcement level; back from the finished fabric face a distance of $\frac{1}{3}$ to $\frac{1}{2}$ the geotextile reinforcement spacing.
2. Position fabric so that the required geotextile re-embedment length extends over the top of the form brace and the design reinforcement width is placed with no slack against the previous level.
3. Compact select fill material in lifts to final lift height, create ($\pm 3''$) depression in zone where re-embedment length will be located and place additional height of compacted select fill against form brace.
4. Fold geotextile re-embedment length back over form brace into zone where depression was made in select fill and place additional select fill ($\pm 3''$) to embed geotextile and bring to final lift height.
5. Pull form brace outward allowing geotextile face to slightly readjust to form tight round face level with plan reinforcement spacing.

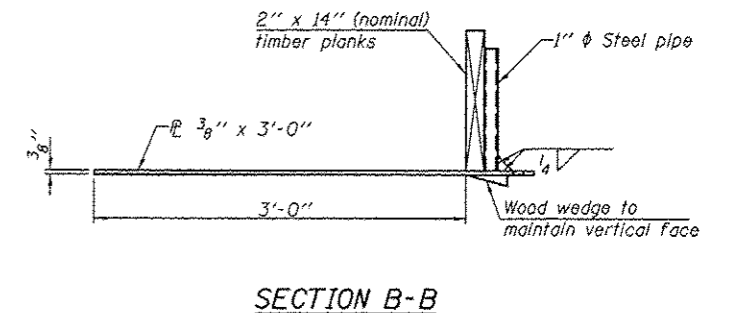
**GEOTEXTILE WALL
CONSTRUCTION SEQUENCE**



PLAN



PLAN



SECTION B-B

**GEOTEXTILE
FORM BRACE DETAIL**

This is a suggested detail, the Contractor is responsible for the design of the form brace system to be used.

Added 10-29-13

DESIGNED - RAY AHANCHI	EXAMINED - <i>James F. Duff</i>	DATE - OCTOBER 1, 2013
CHECKED - AL-BARRAE R. SHEBIB	PASSED - <i>Michael B. Mossman</i>	REVISED -
DRAWN - MICHAEL B. MOSSMAN	ACTING ENGINEER OF BRIDGES AND STRUCTURES	REVISED -
CHECKED - G.R.A. / A.R.S.		

**STATE OF ILLINOIS
DEPARTMENT OF TRANSPORTATION**

**GEOTEXTILE RETAINING WALL
STRUCTURE NO. 050 - 2651**

SHEET NO. 3 OF 11 SHEETS

F.A.P. RTE.	SECTION	COUNTY	TOTAL SHEETS	SHEET NO.
311	(4)BR-1	LASALLE	38	20
				CONTRACT NO. 66B13
ILLINOIS FED. AID PROJECT				