

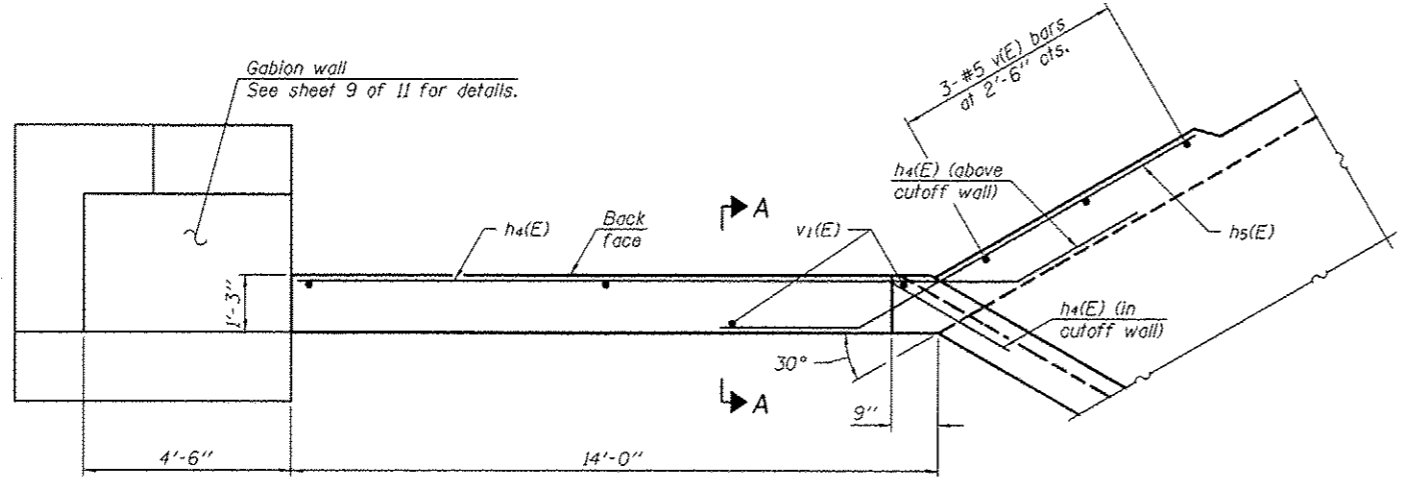
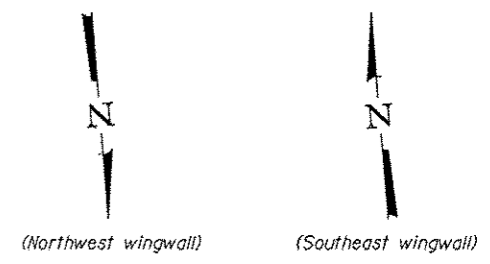
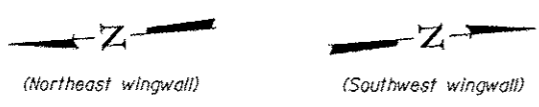
SECTION A-A

LONG WINGWALL

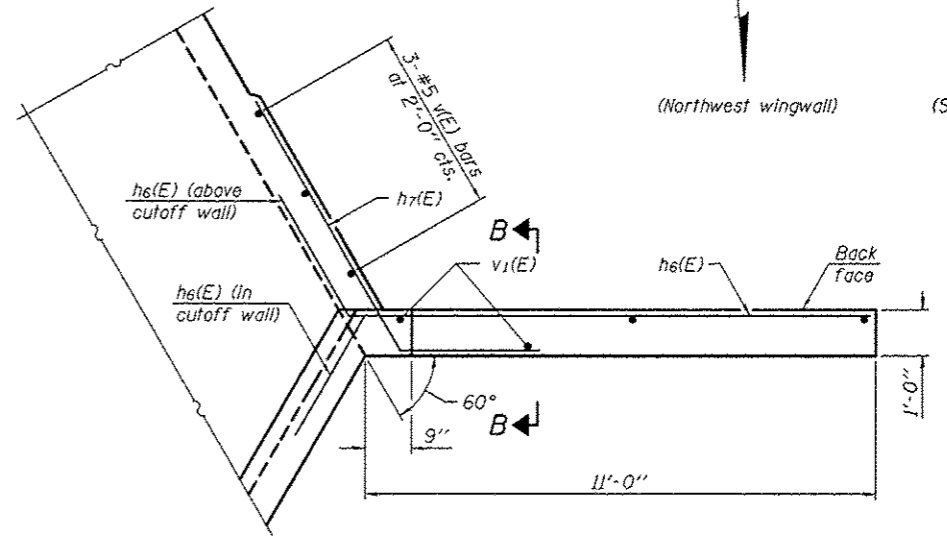
SHORT WINGWALL

SECTION B-B

END ELEVATION



WINGWALL PLAN A
(NE and SW wingwalls)



WINGWALL PLAN B
(NW and SE wingwalls)

Note:
A distance of half the length of the wingwall, but not less than six feet of the barrel, shall be poured monolithically with the wingwalls.

Added 10-29-13

DESIGNED - RAY AHANCHI
CHECKED - AL-BARRAE R. SHEBIB
DRAWN - MICHAEL B. MOSSMAN
CHECKED - G.R.A. / A.R.S.

EXAMINED	DATE - OCTOBER 1, 2013
PASSED	REVISOR
	REVISION

STATE OF ILLINOIS
DEPARTMENT OF TRANSPORTATION

CULVERT DETAILS
STRUCTURE NO. 050 - 2651

SHEET NO. 8 OF 11 SHEETS

F.A.P. RTE.	SECTION	COUNTY	TOTAL SHEETS	SHEET NO.
311	(4)BR-1	LASALLE	38	25
CONTRACT NO. 66B13				
ILLINOIS FED. AID PROJECT				