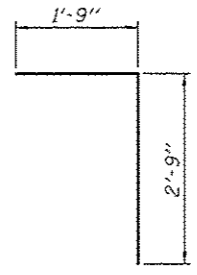
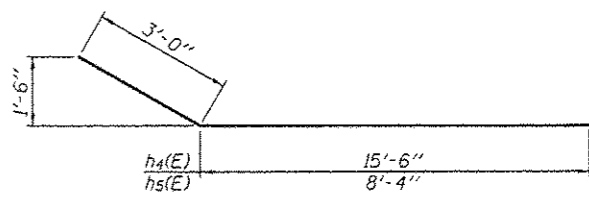


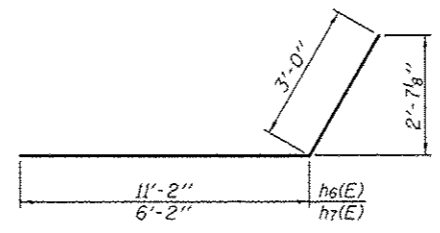
BAR d(E)



BAR d(E)



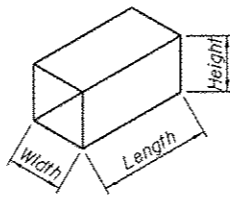
BARS h4(E) & h5(E)



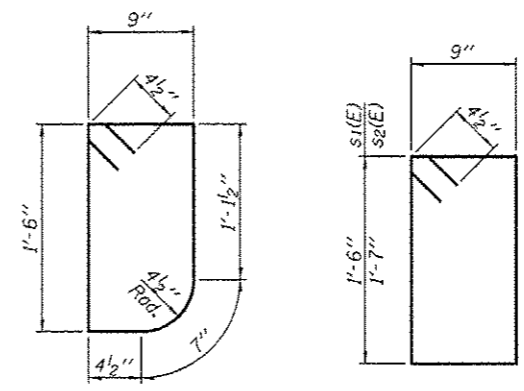
BARS h6(E) & h7(E)

GABION WINGWALL ISOMETRIC VIEW

LEGEND
 Indicates area of exposed gabion

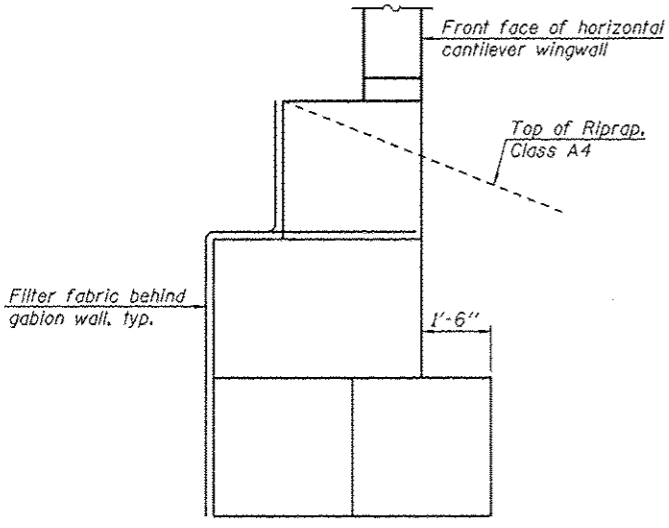


GABION SIZE
 Dimensions are (Length x Width x Height).



BAR s(E)

BARS s1(E) & s2(E)



GABION WINGWALL END VIEW

Note:
 Cost of Filter Fabric, excavation, and backfill behind gabions is included with Gabions.

BILL OF MATERIAL

Bar	No.	Size	Length	Shape
d(E)	326	#6	24'-1"	
a1(E)	326	#6	17'-0"	
a2(E)	168	#4	5'-6"	
d(E)	38	#4	4'-6"	
h(E)	120	#5	37'-9"	
h1(E)	120	#5	42'-5"	
h2(E)	16	#7	22'-9"	
h3(E)	6	#4	23'-0"	
h4(E)	44	#7	18'-6"	
h5(E)	30	#7	11'-4"	
h6(E)	38	#7	14'-2"	
h7(E)	26	#7	9'-2"	
s(E)	23	#4	5'-1"	
s1(E)	46	#4	5'-3"	
s2(E)	23	#4	5'-5"	
v(E)	432	#5	9'-9"	
v1(E)	16	#5	12'-6"	
Concrete Box Culverts			Cu. Yd.	203.6
Reinforcement Bars, Epoxy Coated			Pound	40,590

Added 10-29-13