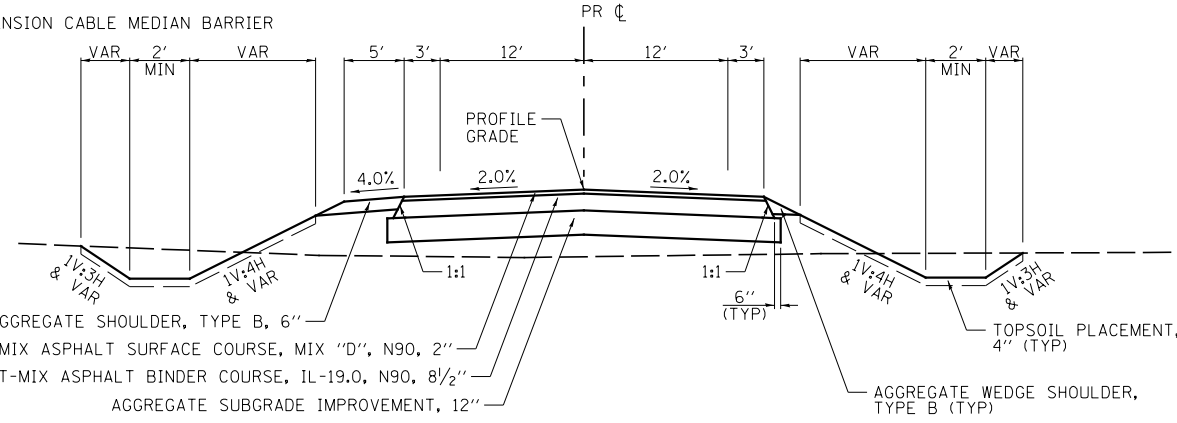


**PROPOSED TYPICAL SECTION
IL. RTE. 47**

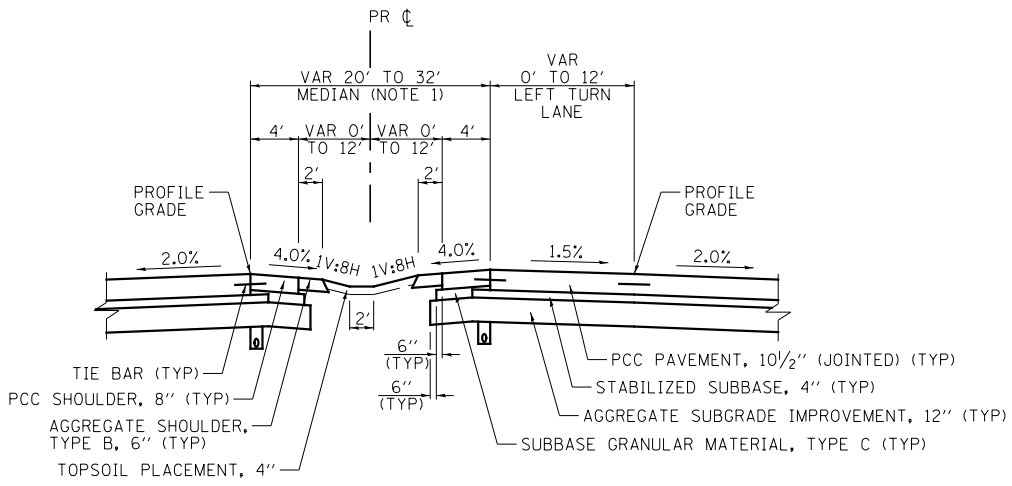
STA 6185+00 TO STA 6265+00
BRIDGE OMISSION: STA 6185+17.44 TO STA 6186+70.56

- NOTES:
1. SEE PLAN AND PROFILE SHEETS FOR MEDIAN TYPE AND LOCATION.
 2. INVERT OF LONGITUDINAL UNDERDRAINS SHALL BE 3.6' BELOW THE EDGE OF PAVEMENT ELEVATION.
 3. SHOULDERS TO HAVE UNIFORM THICKNESS.
 4. BRIDGE APPROACH CONNECTOR PAVEMENT LOCATION: STA 6186+90.17 TO STA 6187+90.17 (SB)



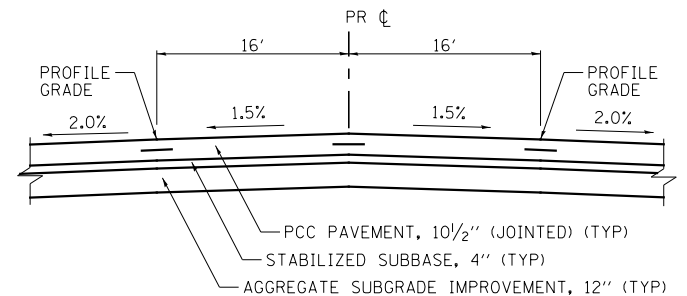
**PROPOSED TYPICAL SECTION
SOUTHBOUND CONNECTOR**

STA 10+00 TO STA 30+24



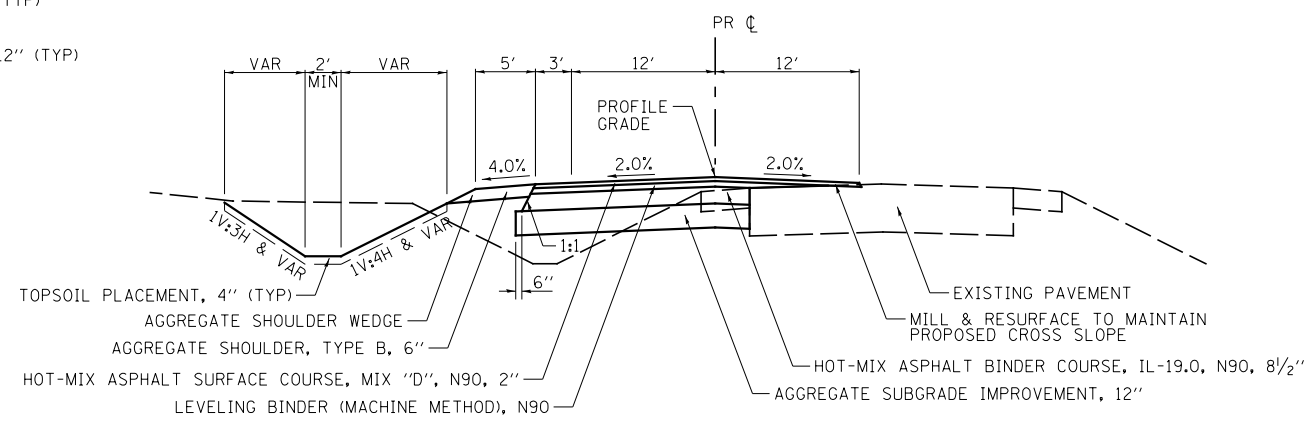
SINGLE LEFT TURN LANE DETAIL (B)

SOUTHBOUND	NORTHBOUND
STA 6205+15 TO STA 6210+98	STA 6198+33 TO STA 6204+17
STA 6217+08 TO STA 6222+87	STA 6210+22 TO STA 6216+01
STA 6234+06 TO STA 6239+86	STA 6227+21 TO STA 6233+00
STA 6250+08 TO STA 6254+88	STA 6244+28 TO STA 6249+08
STA 6257+97 TO STA 6263+81	STA 6252+20 TO STA 6257+00



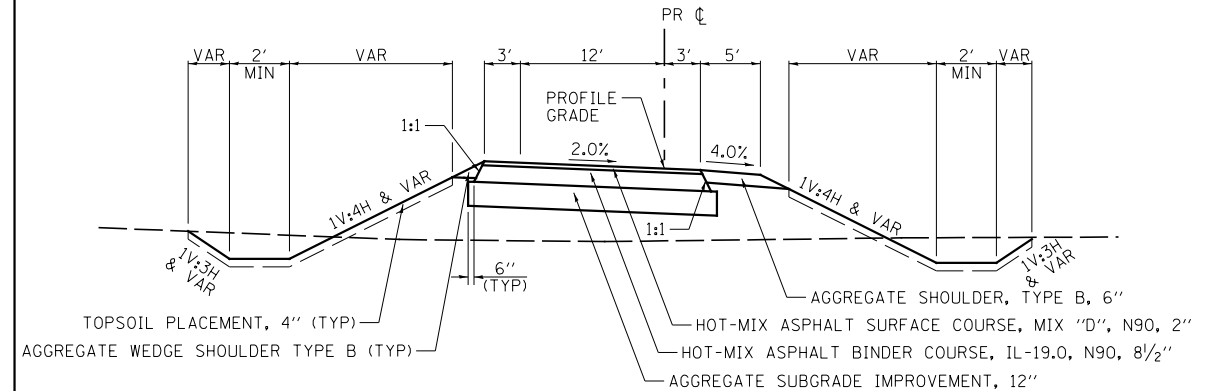
MEDIAN OPENING DETAIL (A)

STA 6204+17 TO STA 6205+15
STA 6216+01 TO STA 6217+08
STA 6233+00 TO STA 6234+06
STA 6249+08 TO STA 6250+08
STA 6257+00 TO STA 6257+97



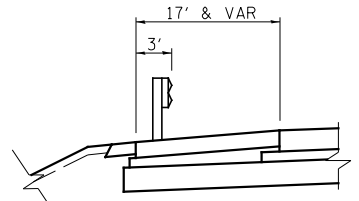
**PROPOSED TYPICAL SECTION
SOUTHBOUND CONNECTOR**

STA 30+24 TO STA 37+09



**PROPOSED TYPICAL SECTION
NORTHBOUND CONNECTOR**

STA 50+00 TO STA 65+52



GUARDRAIL DETAIL (C)

STA 6186+93.37 TO STA 6188+88.52 (LT)

FILE NAME =	USER NAME = bdecreane	DESIGNED - LDZ	REVISED -
V:\3195\66883 (South Section)\CADD Sheets\0366883-sht-typical-4.dgn		DRAWN - SRH/RMD	REVISED -
	PLOT SCALE = 16.000' / in.	CHECKED - DJD	REVISED -
	PLOT DATE = 8/6/2013	DATE - 7/15/2013	REVISED -

**STATE OF ILLINOIS
DEPARTMENT OF TRANSPORTATION**

IL. RTE. 47 PROPOSED TYPICAL SECTIONS			
SCALE: N/A	SHEET NO. 4 OF 6 SHEETS	STA. N/A	TO STA. N/A

F.A.P. RTE.	SECTION	COUNTY	TOTAL SHEETS	SHEET NO.
326	(110)R, BR & BR-1	GRUNDY	644	37
CONTRACT NO. 66883				
ILLINOIS FED. AID PROJECT				