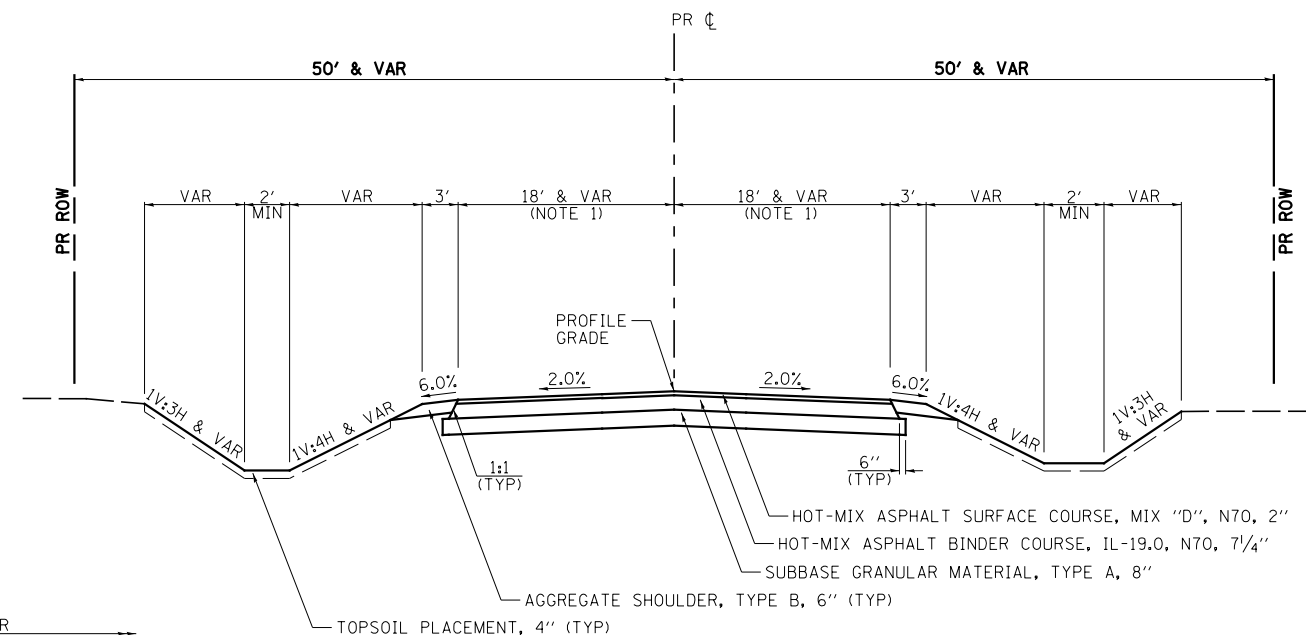


**PROPOSED TYPICAL SECTION  
GRANVILLE RD.**

STA 100+52 TO STA 103+70  
(ALSO SEE PCC PAVEMENT DETAIL.)

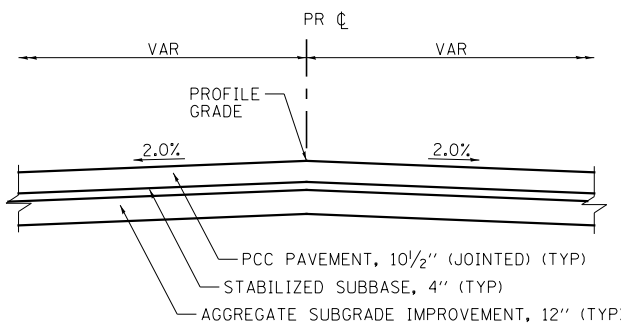
NOTES:

- SEE PLAN & PROFILE SHEETS FOR WIDTHS.
- VARIES FROM 0' @ STA 1604+13 TO 6' @ STA 1605+00
- SUBBASE GRANULAR MATERIAL, TYPE A, 12", LOCATION: STA 201+50 TO STA 207+50  
GEOTECHNICAL FABRIC FOR GROUND STABILIZATION REQUIRED AT THIS LOCATION.
- TRANSVERSE UNDERDRAIN SHALL BE INSTALLED AT LOW POINTS OF SUBBASE GRANULAR MATERIAL, TYPE A, 12", LOCATIONS. THE TOP SHALL BE 6" BELOW THE BOTTOM OF THE SUBBASE GRANULAR MATERIAL, TYPE A, 12". SEE SCHEDULES FOR LOCATIONS.
- HMA WIDENING: STA 1604+20 TO STA 1605+00  
PROPOSED CURB & GUTTER (RT): STA 1603+02 TO STA 1605+00



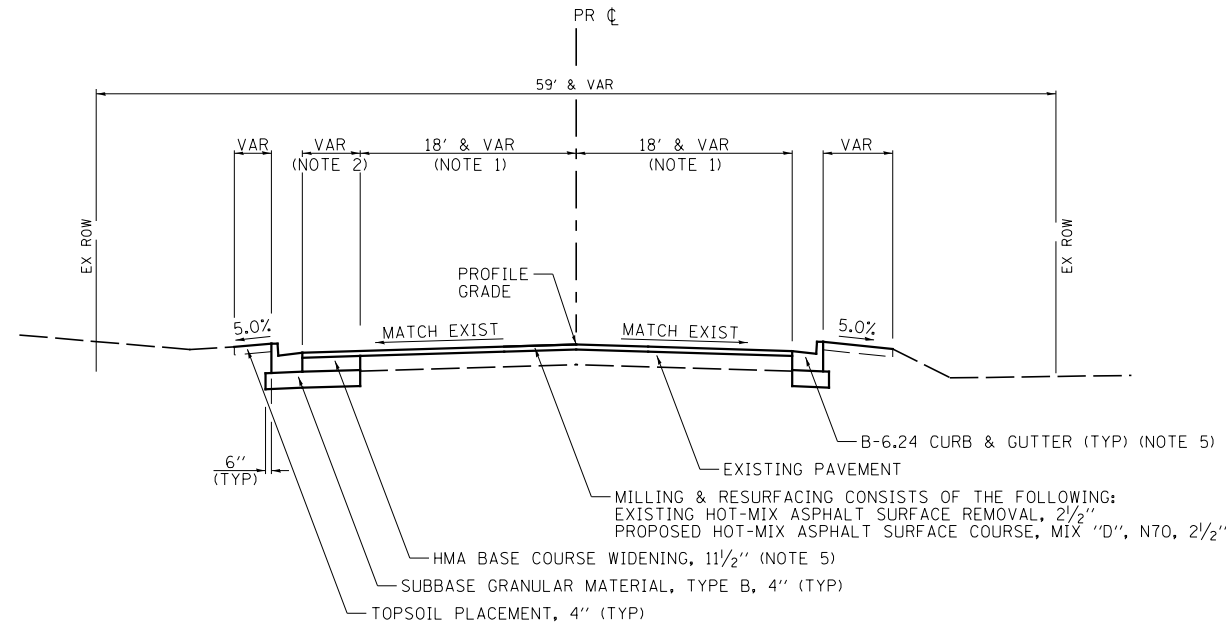
**PROPOSED TYPICAL SECTION  
GRANVILLE RD.**

STA 103+70 TO STA 107+21



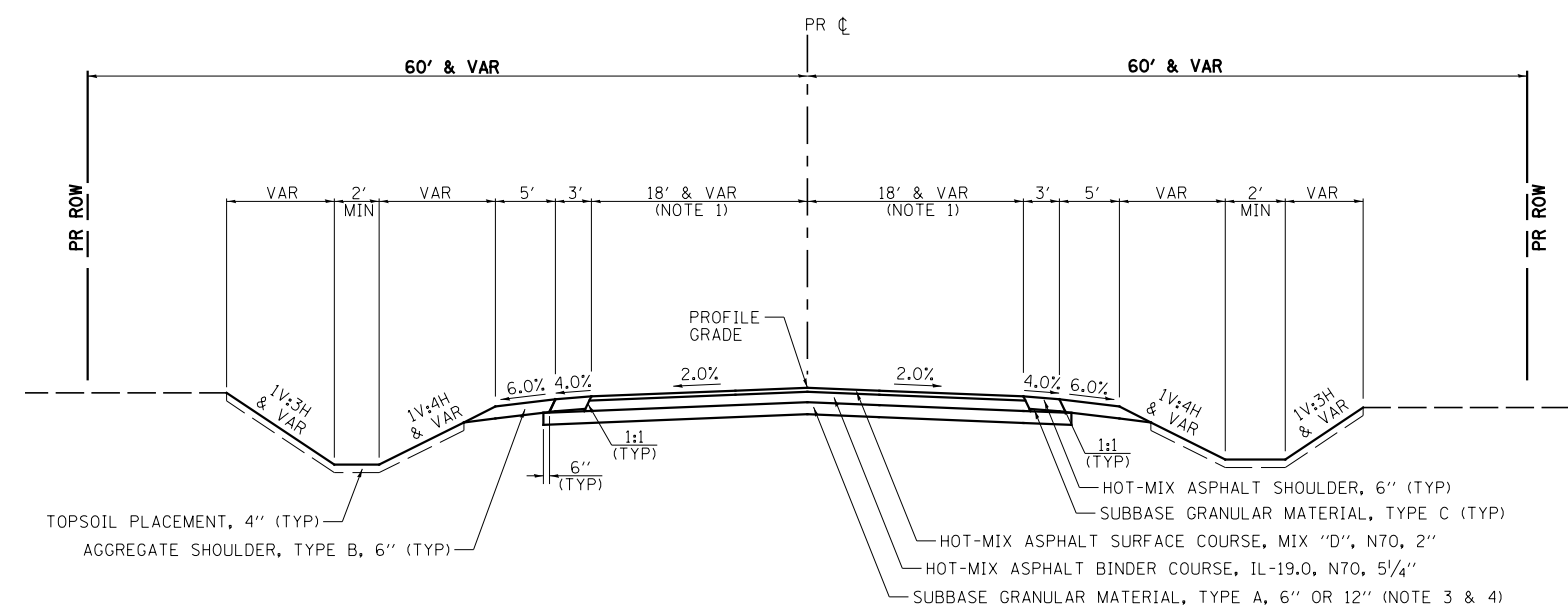
**PCC PAVEMENT DETAIL**

GRANVILLE RD.: STA 100+52 TO STA 100+98  
PROLOGIS PRKWY.: STA 1605+00 TO STA 1605+46  
NELSON RD.: STA 208+12 TO STA 208+48



**PROPOSED TYPICAL SECTION  
PROLOGIS PRKWY.**

STA 1603+48.79 TO STA 1605+46  
(ALSO SEE PCC PAVEMENT DETAIL.)



**PROPOSED TYPICAL SECTION  
NELSON RD.**

STA 200+48.75 TO STA 208+12  
(ALSO SEE PCC PAVEMENT DETAIL.)

FILE NAME =	USER NAME = bdecreane	DESIGNED - LDZ	REVISED -
V:\3195\66883 (South Section)\CADD Sheets\0366883-sht-typical-5.dgn		DRAWN - SRH/RMD	REVISED -
	PLOT SCALE = 16.000' / in.	CHECKED - DJD	REVISED -
	PLOT DATE = 8/6/2013	DATE - 7/15/2013	REVISED -

**STATE OF ILLINOIS  
DEPARTMENT OF TRANSPORTATION**

**GRANVILLE RD., PROLOGIS PRKWY. & NELSON RD.  
PROPOSED TYPICAL SECTIONS**

SCALE: N/A SHEET NO. 5 OF 6 SHEETS STA. N/A TO STA. N/A

F.A.P. RTE.	SECTION	COUNTY	TOTAL SHEETS	SHEET NO.
326	(110)R, BR & BR-1	GRUNDY	644	38
CONTRACT NO. 66883				
ILLINOIS FED. AID PROJECT				