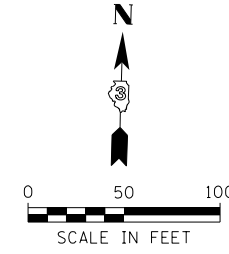
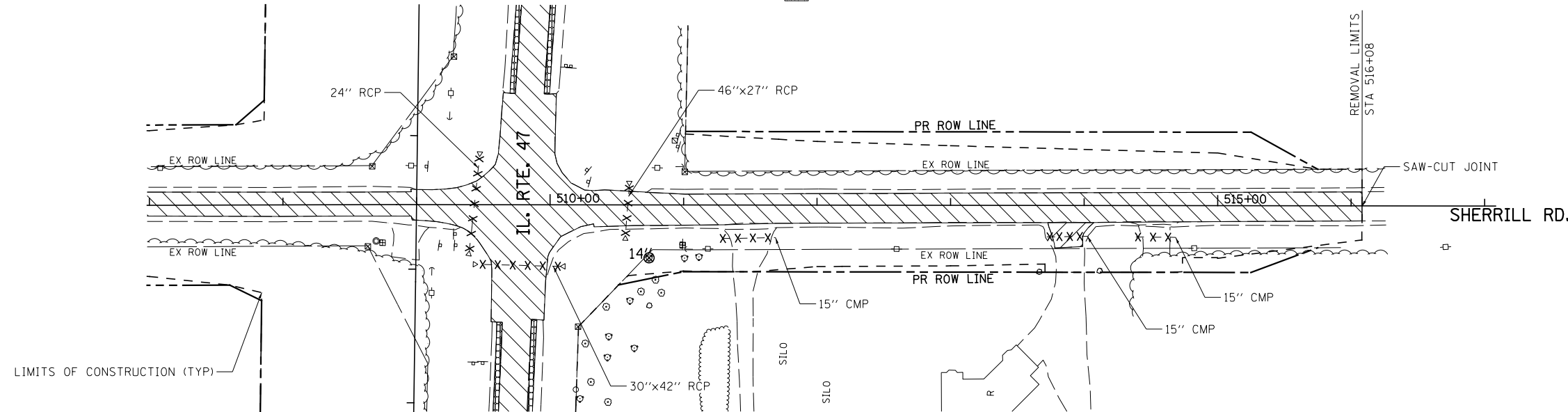
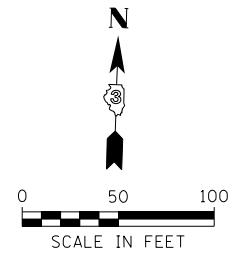


- LEGEND**
- PAVEMENT REMOVAL
 - DRAINAGE STRUCTURE TO BE REMOVED
 - COMB. CONC. CURB AND GUTTER REMOVAL
 - PIPE CULVERT/STORM SEWER REMOVAL
 - TREE REMOVAL
 - DRIVEWAY PAVEMENT REMOVAL
 - GUARDRAIL REMOVAL
 - PAVED SHOULDER REMOVAL
 - REMOVAL OF EXISTING STRUCTURES
 - ISLAND PAVEMENT REMOVAL
 - SIDEWALK REMOVAL
 - TREE REMOVAL AREA
 - HMA SURFACE REMOVAL



FILE NAME = V:\3195\66883 (South Section)\CADD Sheets\0366883-sht-rem-13.dgn	USER NAME = bdecreene	DESIGNED - AS	REVISED -	STATE OF ILLINOIS DEPARTMENT OF TRANSPORTATION	MINOOKA RD. & SHERRILL RD. REMOVAL PLANS			F.A.P. RTE.	SECTION	COUNTY	TOTAL SHEETS	SHEET NO.
	PLOT SCALE = 100.0000' / 1" =	CHECKED - ST	REVISED -					326	(110)R, BR & BR-1	GRUNDY	644	111
SHT.PLAN	PLOT DATE = 8/6/2013	DATE - 7/15/2013	REVISED -	SCALE: 1"=50'	SHEET NO. 13 OF 13 SHEETS	STA.	TO STA.	ILLINOIS FED. AID PROJECT				