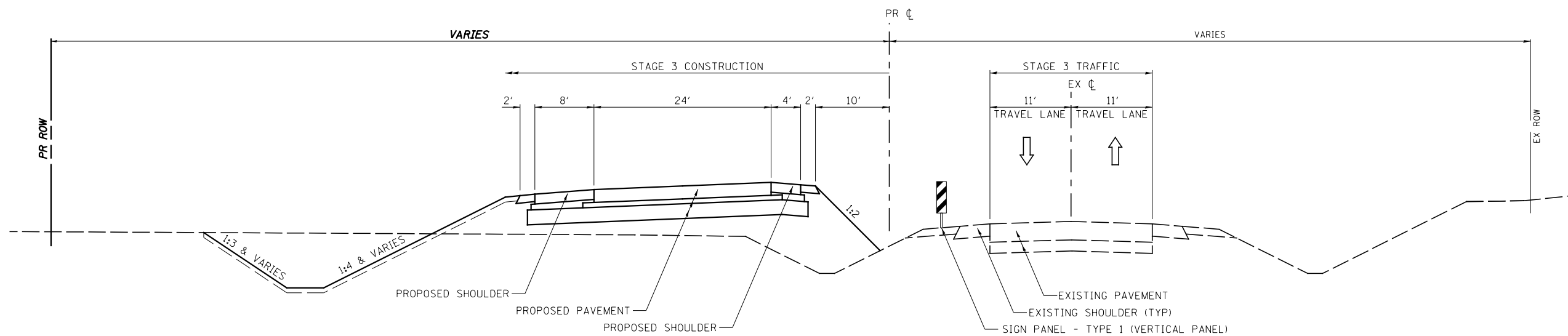


STAGE 3 TYPICAL SECTION

IL. RTE. 47

STA. 6111+00 TO STA. 6185+27



STAGE 3 TYPICAL SECTION

IL. RTE. 47

STA. 6186+96 TO STA. 6269+00

FILE NAME =	USER NAME = bdecreene	DESIGNED - LDZ	REVISED -
V:\3195\66883 (South Section)\CADD Sheets\0366883-sht-staging3typical-2.dgn		DRAWN - SRH/RMD	REVISED -
PLOT SCALE = 16.000' / in.		CHECKED - DJD	REVISED -
PLOT DATE = 8/6/2013		DATE - 7/15/2013	REVISED -

**STATE OF ILLINOIS
DEPARTMENT OF TRANSPORTATION**

**IL. RTE. 47
STAGE 3 TYPICAL SECTIONS**

SCALE: N/A SHEET NO. 2 OF 3 SHEETS STA. N/A TO STA. N/A

F.A.P. RTE.	SECTION	COUNTY	TOTAL SHEETS	SHEET NO.
326	(110)R, BR & BR-1	GRUNDY	644	159
CONTRACT NO. 66B83				

ILLINOIS FED. AID PROJECT