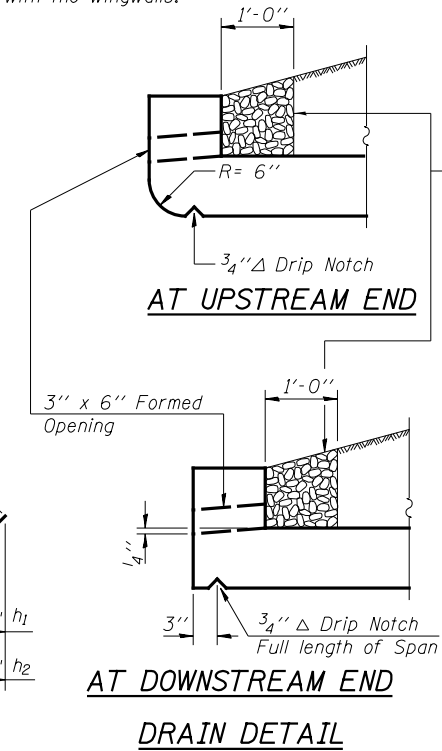


Notes:
A distance of half the length of the wingwall but not less than six feet of the barrel shall be poured monolithically with the wingwalls.



Coarse aggregate full length of both headwalls. To be placed by Grading Contractor. Cost included with Concrete Box Culverts.

BILL OF MATERIAL

Bar	No.	Size	Length	Shape
a	48	#5	17'-10"	
a ₂	48	#5	16'-8"	—
d	34	#4	4'-6"	
d ₁	112	#4	1'-2"	—
h	192	#4	5'-9"	—
h ₁	44	#5	8'-0"	—
h ₂	44	#5	10'-0"	—
h ₃	10	#6	15'-6"	—
v	80	#4	5'-1"	—
v ₁	16	#4	8'-2"	—
Concrete Box Culverts			Cu. Yd.	21.0
Reinforcement Bars			Pound	4080