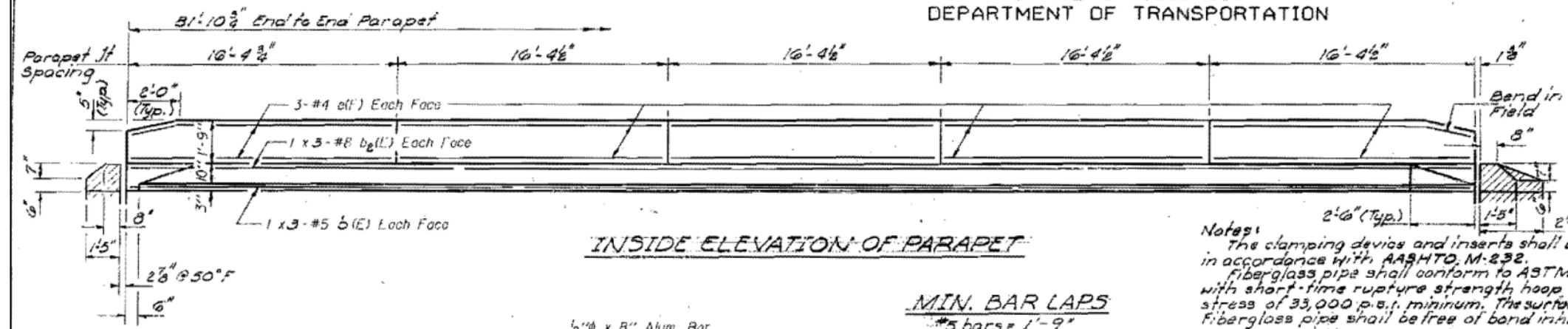


PROJECT NO.	DATE	SCALE	SHEET NO.	TOTAL SHEETS
100	7/15/2013	N/A	19	23

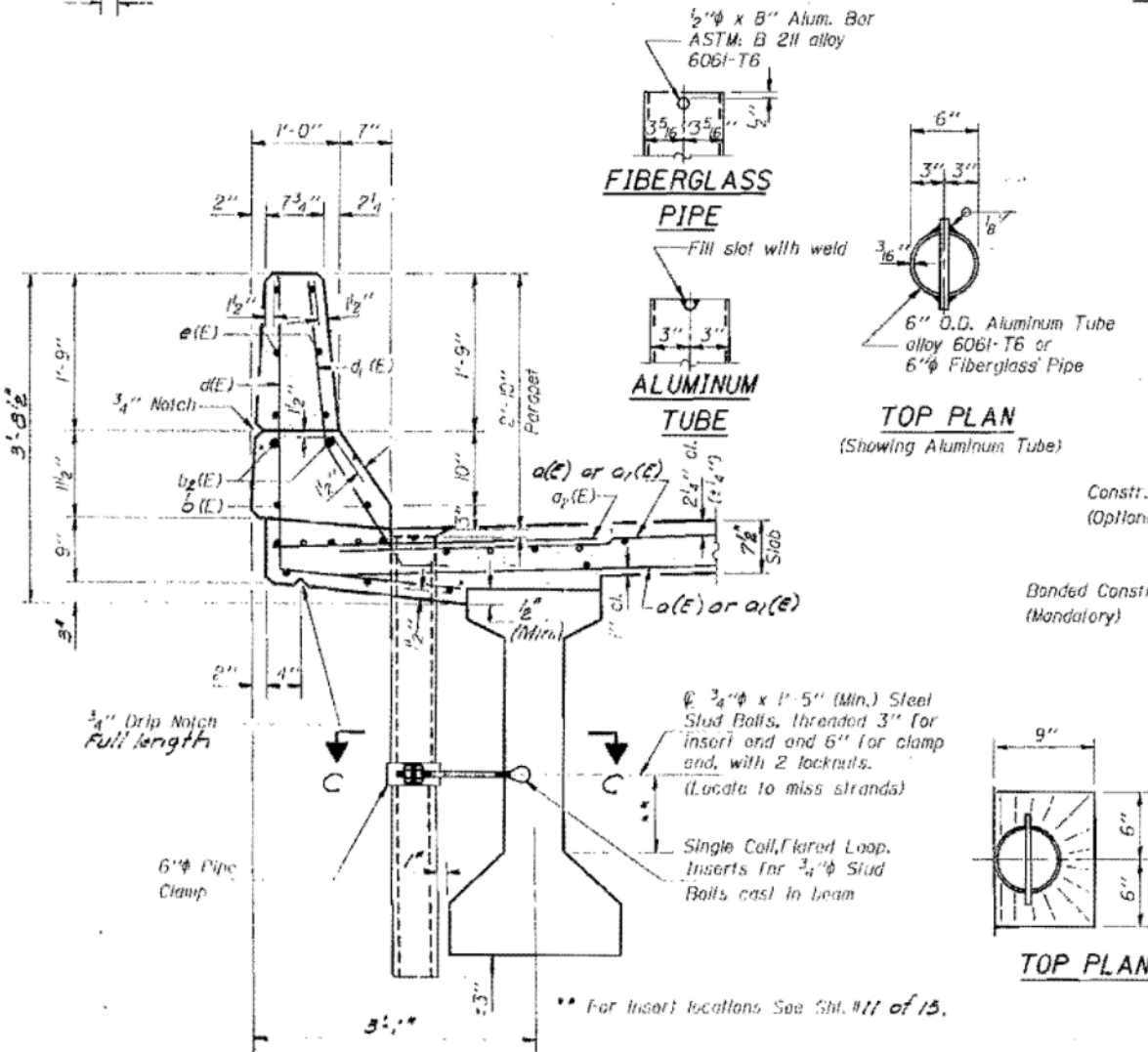
FOR INFORMATION ONLY



INSIDE ELEVATION OF PARAPET

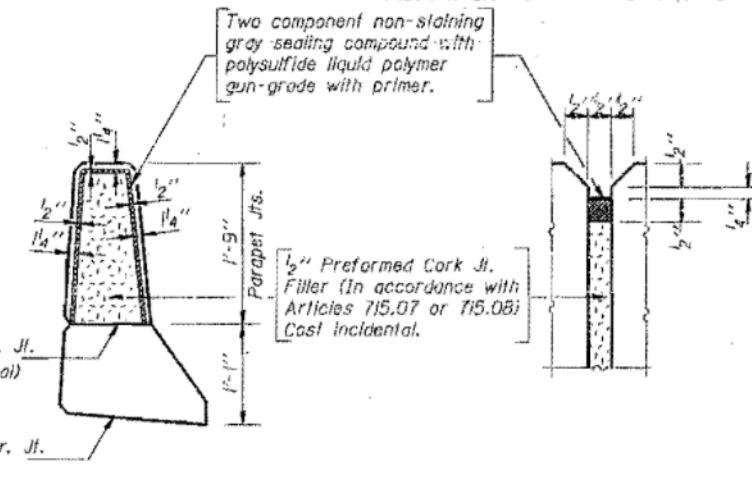
MIN. BAR LAPS
#5 bars = 1'-9"
#8 bars = 3'-9"

Notes:
The clamping devices and inserts shall be galvanized in accordance with AASHTO M-232.
Fiberglass pipe shall conform to ASTM D2990, with short-time rupture strength hoop tensile stress of 33,000 p.s.i. minimum. The surfaces of the fiberglass pipe shall be free of bond inhibiting agents.
The exterior surfaces of the fiberglass floor drains shall be painted with one coat of Aluminum paint. Painting of the fiberglass floor drains will not be required when the exterior surfaces of the furnished drains are coated by the manufacturer with silver pigment or a pigment that matches the color of the concrete beam.

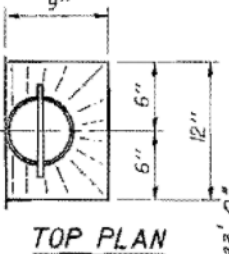


SECTION THRU PARAPET

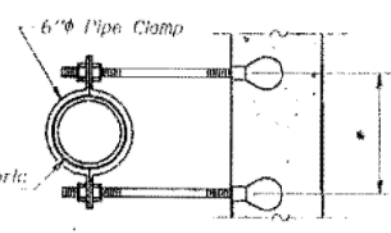
TOP PLAN (Showing Aluminum Tube)



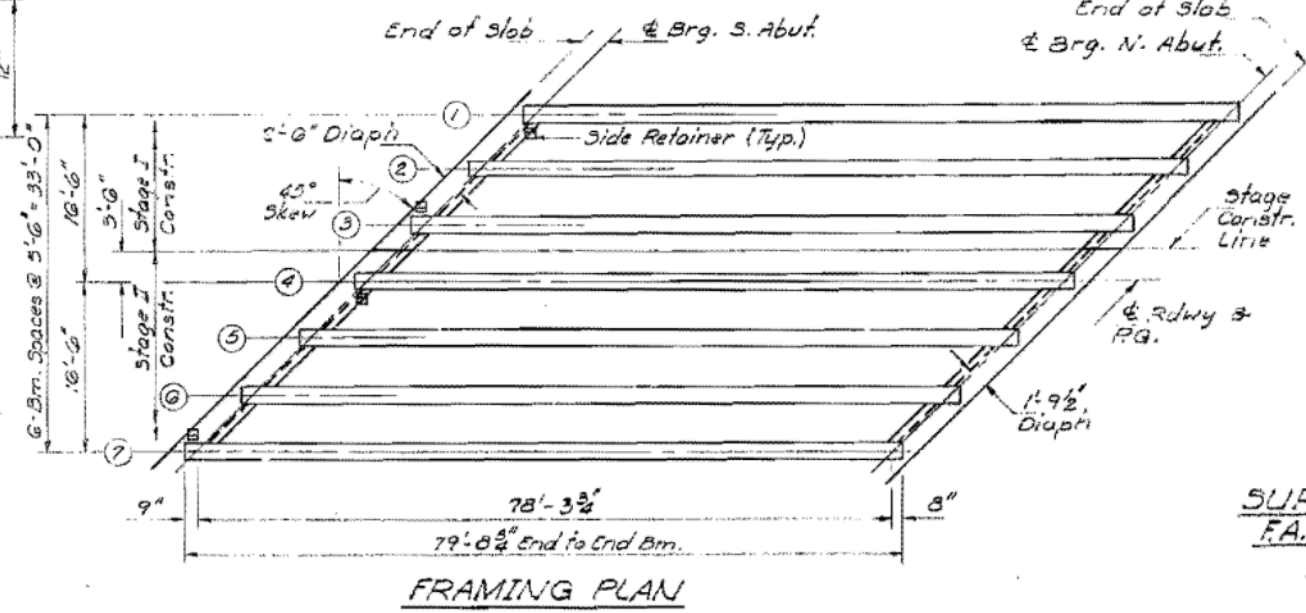
PARAPET JOINT DETAILS



TOP PLAN



SECTION C-C



FRAMING PLAN

BAR d1(E)

BAR d(E)

BAR d2(E)

SUPERSTRUCTURE
BILL OF MATERIAL

Bar	No.	Size	Length	Weight
d1(E)	207	#5	15'-1"	
d2(E)	207	#5	22'-7"	
d3(E)	110	#4	1'-11"	
d4(E)	10	#7	22'-7"	
d5(E)	10	#7	32'-6"	
d6(E)	20	#6	6'-0"	
d7(E)	4	#6	2'-9"	
d8(E)	4	#6	4'-5"	
d9(E)	1	#6	18'-2"	
d10(E)	1	#6	20'-3"	
b1(E)	138	#5	28'-5"	
b2(E)	180	#5	21'-4"	
b3(E)	12	#8	29'-10"	
d11(E)	104	#5	3'-0"	
d12(E)	106	#5	3'-11"	
d13(E)	12	#5	3'-8"	
a1(E)	60	#4	16'-1"	
m1(E)	2	#5	13'-5"	
m2(E)	2	#5	23'-5"	
m3(E)	1	#6	18'-5"	
m4(E)	1	#6	23'-3"	
m5(E)	10	#4	6'-8"	
m6(E)	5	#6	4'-10"	
m7(E)	2	#4	8'-2"	
m8(E)	1	#6	3'-5"	
m9(E)	2	#5	2'-3"	
b4(E)	18	#4	6'-0"	
x1(E)	48	#6	6'-0"	
x2(E)	54	#6	7'-6"	
Reinforcement Bars (Epoxy Coated)				2,220
Class X Concrete Superstructure				112.5

Reinforcement bars designated (E) shall be epoxy coated.
Bars indicated thus 20 x 3 #5 etc. indicates 20 rings of bars with 3 lengths per ring.

SUPERSTRUCTURE DETAILS
I.A. RT. 100 SEC. 110BR-1
GRUNDY COUNTY
STA. 203+54.75

DESIGNED YASAMIN ESTHANI
CHECKED VECTOR VELEZ
DRAWN J. SCHNELLER
CHECKED M.M. BELTRACCI
EXAMINED [Signature]
PASSED [Signature]
APPROVED [Signature]
May 27 1987

FILE NAME	USER NAME	DESIGNED	REVISED
V:\3195\66883 (South Section)\CADD Sheet\0366883-sht-exstruct-19.dgn	bdecaene	-	-
PLOT SCALE = 2.0000' / in.	DATE	CHECKED	REVISED
	7/15/2013	-	-