

**FOR INFORMATION ONLY**

STATE OF ILLINOIS  
DEPARTMENT OF TRANSPORTATION

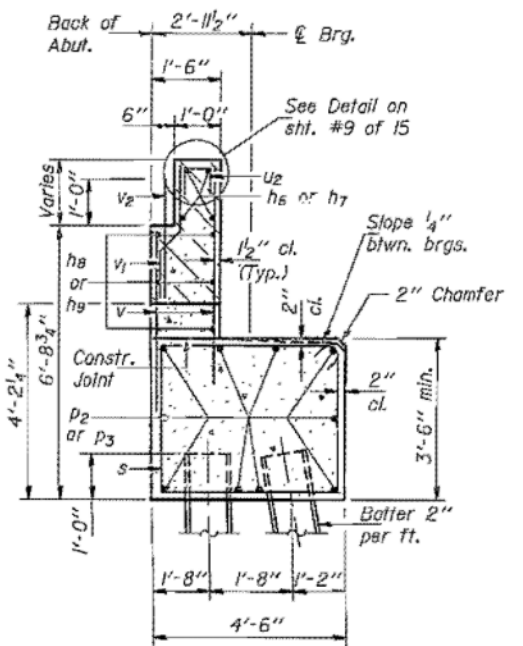
DATE	REVISION	BY	DATE	NO.

SHEET NO. 5  
OF 15 SHEETS

Notes: Space reinforcement bars in cap to miss anchor bolts. Four steps monolithically with cap. Hatched area to be poured after superstructure is in place. Class X Concrete Superstructure in hatched area is built with the superstructure. Quantity on sheet #8 of 15. See sheet #5 of 15 for Splicer Details. All edges shall have standard 3/4" chamfer.

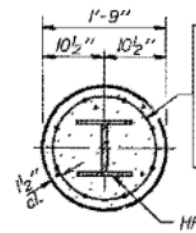
**PILE DATA**

Type: Steel HPI0x42  
Capacity: Driven to refusal  
Est. Length: 45 Ft.  
No. Required: 11



SEC. THRU ABUT.

BAR h5

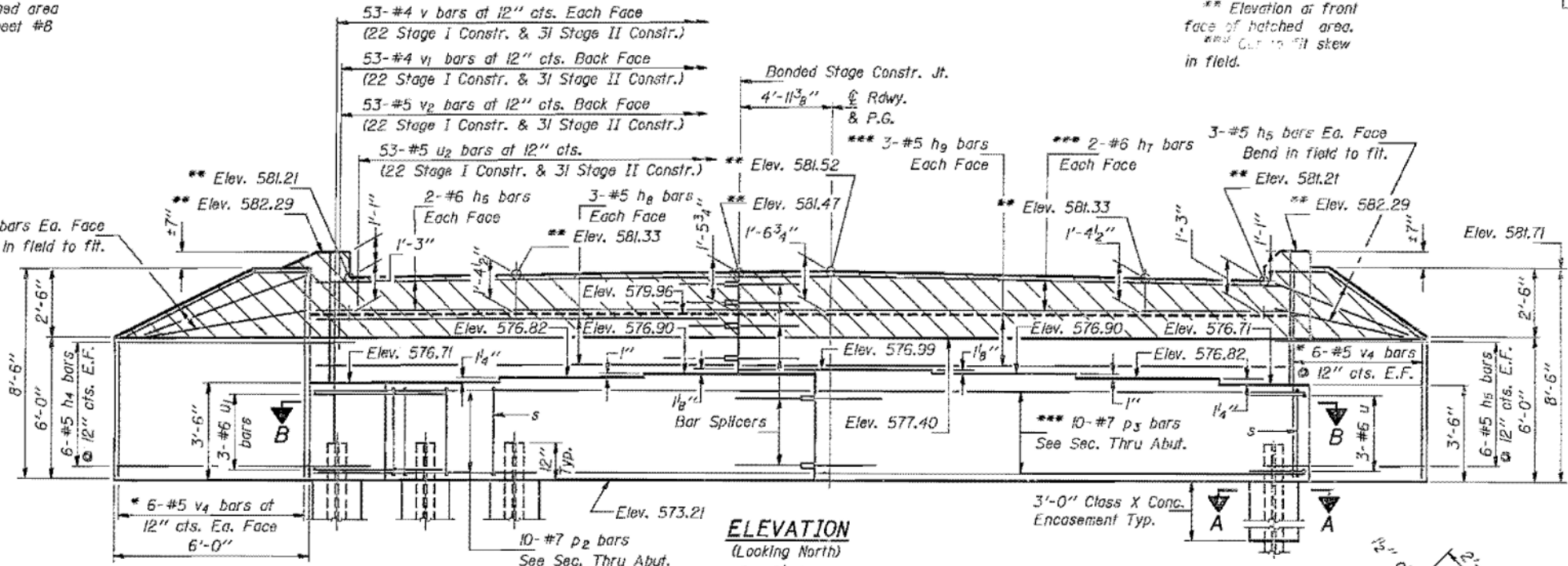


SECTION A-A

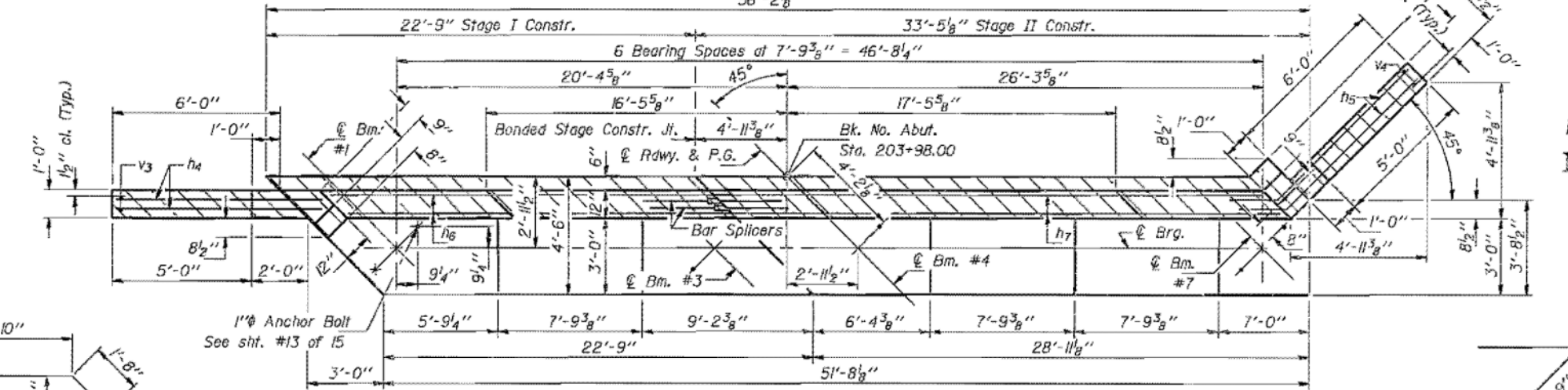
Welded wire fabric 6 x 6-W4.0 x W4.0 weighing 58#/100 sq. ft. The cost of Class X Concrete Encasement and Reinforcement is incidental to the cost of furnishing piles. Forms for encasement may be omitted when soil conditions will permit.

DESIGNED	MINNIE EISELE
CHECKED	VECTOR VERIZ
DRAWN	John F. Schneller Jr.
CHECKED	EMMELINE

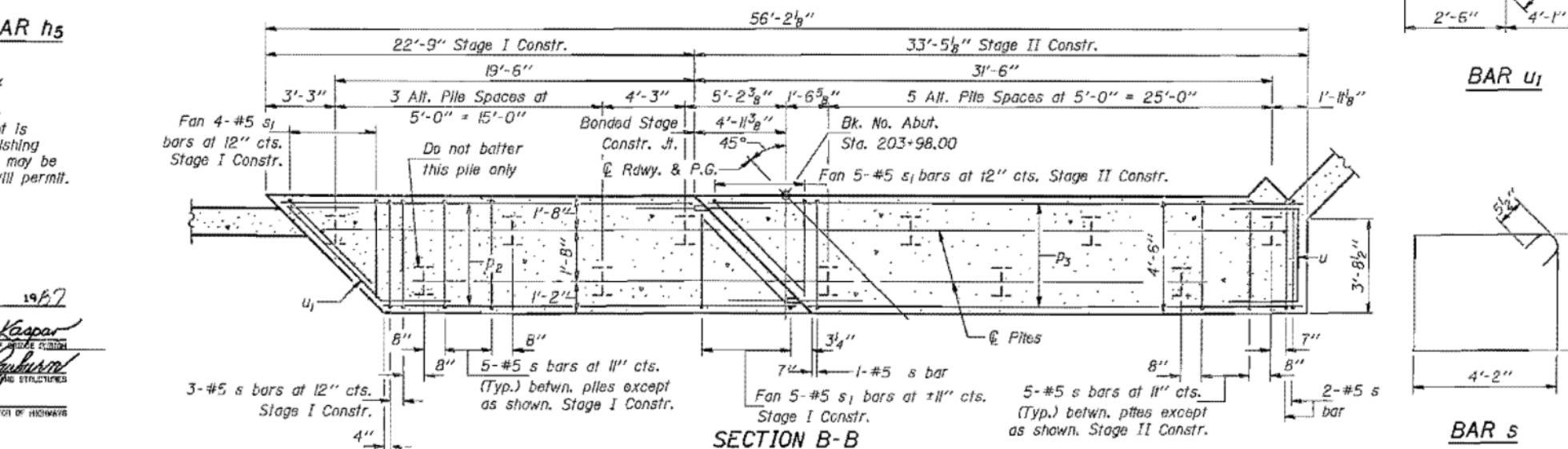
EXAMINED	May 27 1967
PASSED	James J. Kasper
APPROVED	James J. Kasper



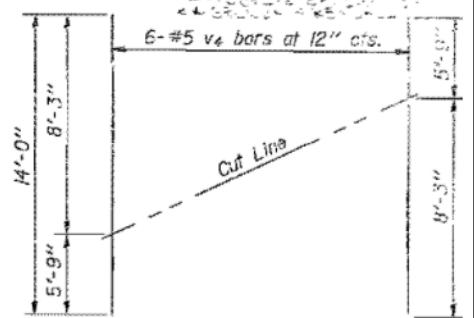
ELEVATION  
(Looking North)  
56'-2 1/2"



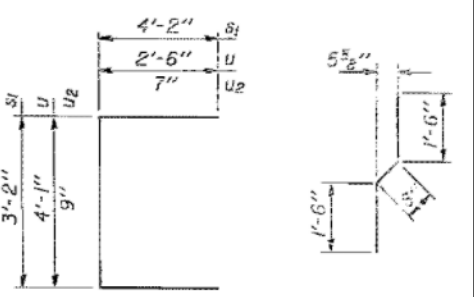
TOP VIEW  
56'-2 1/2"



SECTION B-B



FIELD CUTTING DIAGRAM  
Order v4 bars full length. Cut to fit and use remainder in opposite face.



BAR s1, u & u2  
BAR v1

**BILL OF MATERIAL**

Bar	No.	Size	Length	Stages
h4	18	#5	8'-6"	
h5	18	#5	8'-6"	
h6	4	#6	22'-6"	
h7	4	#6	33'-0"	
h8	6	#5	22'-6"	
h9	6	#5	33'-0"	
p2	10	#7	22'-6"	
p3	10	#7	33'-2"	
s	46	#5	15'-7"	
s1	14	#5	11'-6"	
u	3	#6	9'-1"	
u1	3	#6	10'-9"	
u2	53	#4	1'-11"	
v	106	#4	6'-0"	
v1	53	#4	3'-8"	
v2	53	#5	3'-0"	
v4	12	#5	14'-0"	

Class X Concrete	Cu. Yd.	36.4
Reinforcement Bars	Lbs.	4,140
Steel Piles (HPI0x42)	Lin. Ft.	495

NORTH ABUTMENT  
F.A. RT. 100 SEC. 110BR-1  
GRUNDY COUNTY  
STA. 203+54.75