

Benchmark: Tag ball on FH located in front of Grundy County Farm Bureau, Elev. 551.80

Existing Structure: None. Traffic to be detoured during construction.

INDEX OF SHEETS

1. General Plan & Elevation
2. Culvert Details
3. Soil Borings

DESIGN SPECIFICATIONS
2012 AASHTO LRFD Bridge Design Specifications, 6th Edition

LOADING HL-93

Allow 50#/sq. ft. for future wearing surface.

DESIGN STRESSES

FIELD UNITS

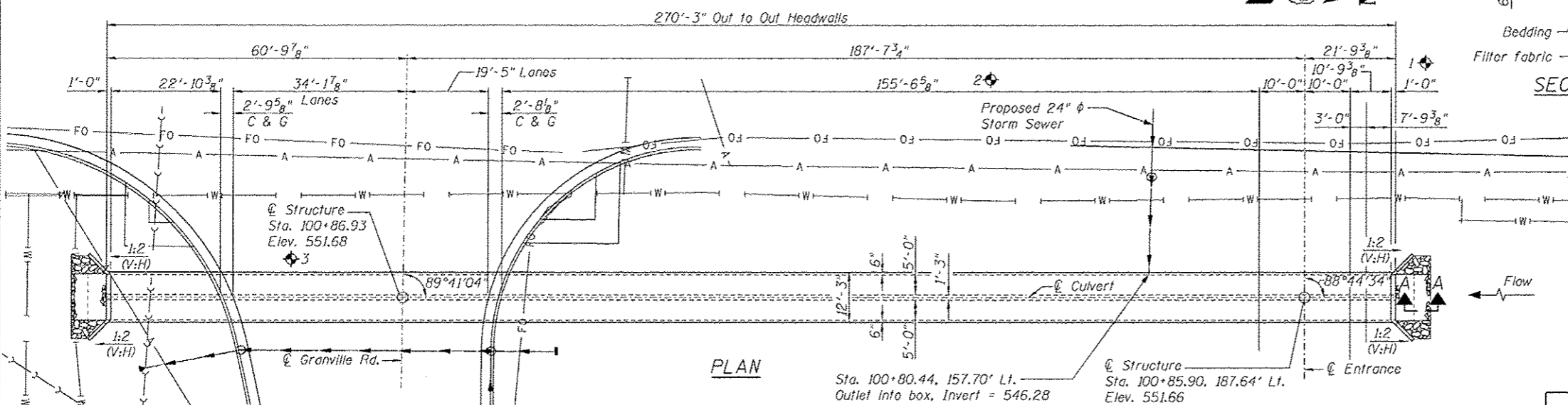
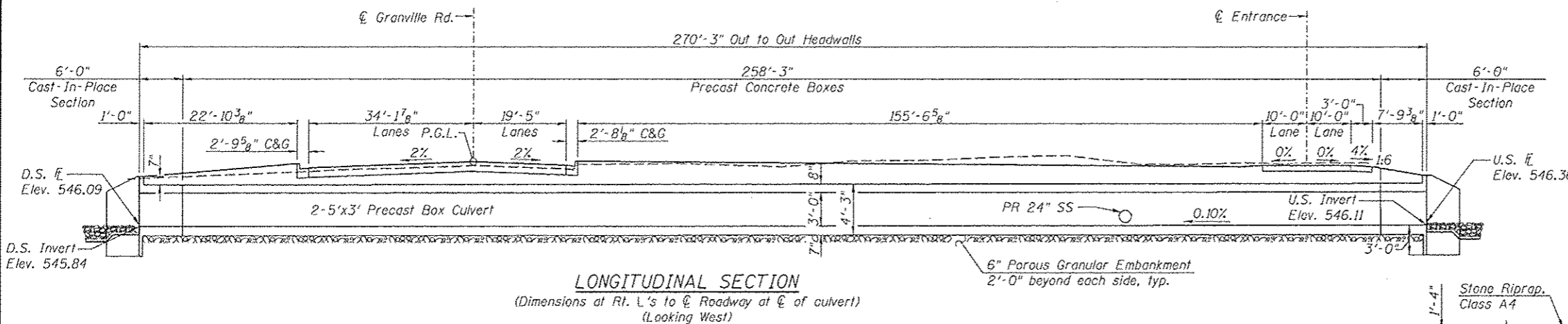
$f'_c = 3,500$ psi
 $f_y = 60,000$ psi (Reinforcement)

PRECAST UNITS

$f'_c = 5,000$ psi
 $f_y = 60,000$ psi (Reinforcement)
 $f_y = 65,000$ psi (Welded Wire Fabric)

GENERAL NOTES

Layout of the slope protection system may be varied to suit ground conditions in the field as directed by the Engineer. The last section of precast culvert on each end shall have reinforcing bars extending from the precast culvert to be incorporated into the cast-in-place end sections as shown on sheet 2. Precast concrete box culverts shall conform to the design requirements of ASTM C1577. See Box Culvert Backfilling Detail within roadway detail sheets for limits of Granular Culvert Backfill.

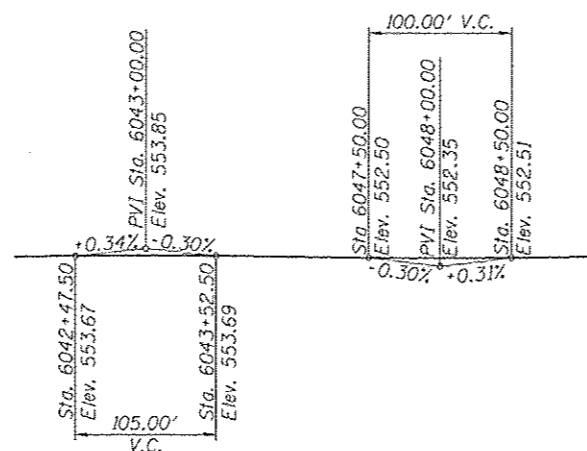


TOTAL BILL OF MATERIAL

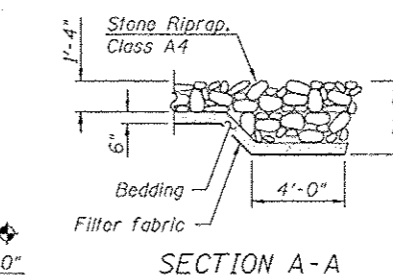
ITEM	UNIT	TOTAL
Porous Granular Embankment	Cu. Yd.	81.4
Stone Riprap, Class A4	Sq. Yd.	30
Filter Fabric	Sq. Yd.	30
Reinforcement Bars	Pound	2480
Name Plates	Each	1
Concrete Box Culverts	Cu. Yd.	14.2
Precast Concrete Box Culverts 5'x3'	Foot	516.5

DESIGN SCOUR ELEVATION TABLE

Design Scour Elevation (ft.)	U.S. Invert	D.S. Invert
	543.11	542.84



PROFILE GRADE
(Along IL. Rte. 47 P.G.)

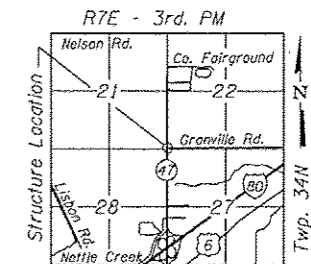


SECTION A-A

STATION 100+86.93
BUILT BY
STATE OF ILLINOIS
F.A.P. RTE. 326
SEC. (110)R, BR & BR-1
LOADING HL-93
STRUCTURE NO. 032-2544

NAME PLATE
See Std. 515001

PROFILE GRADE
(Along Granville Rd. P.G.)



LOCATION SKETCH

GENERAL PLAN & ELEVATION
GRANVILLE RD. OVER
DRAINAGE DITCH
F.A.P. RTE. 326-SEC (110)R,
BR & BR-1
GRUNDY COUNTY
STATION 100+86.93
STRUCTURE NO. 032-2544

Vincent P. Tabar 7/15/2013
Date

Vincent P. Tabar
Licensed Structural Engineer
State of Illinois No. 081-007047
Expires 11/30/2014



GENERAL PLAN & ELEVATION
STRUCTURE NO. 032-2544
SHEET NO. 1 OF 3 SHEETS

REVISIONS	USER NAME	DESIGNED - PSS		STATE OF ILLINOIS DEPARTMENT OF TRANSPORTATION	GENERAL PLAN & ELEVATION STRUCTURE NO. 032-2544	F.A.P. RTE.	SECTION	COUNTY	TOTAL SHEETS	SHEET NO.
REVISIONS	FILE NAME	CHECKED - VPT				326	(110)R, BR & BR-1	GRUNDY	644	393
REVISIONS	PLOT SCALE	DRAWN - AJF				CONTRACT NO. 66B83				
REVISIONS	PLOT DATE	CHECKED - VPT				ILLINOIS FED. AID PROJECT				