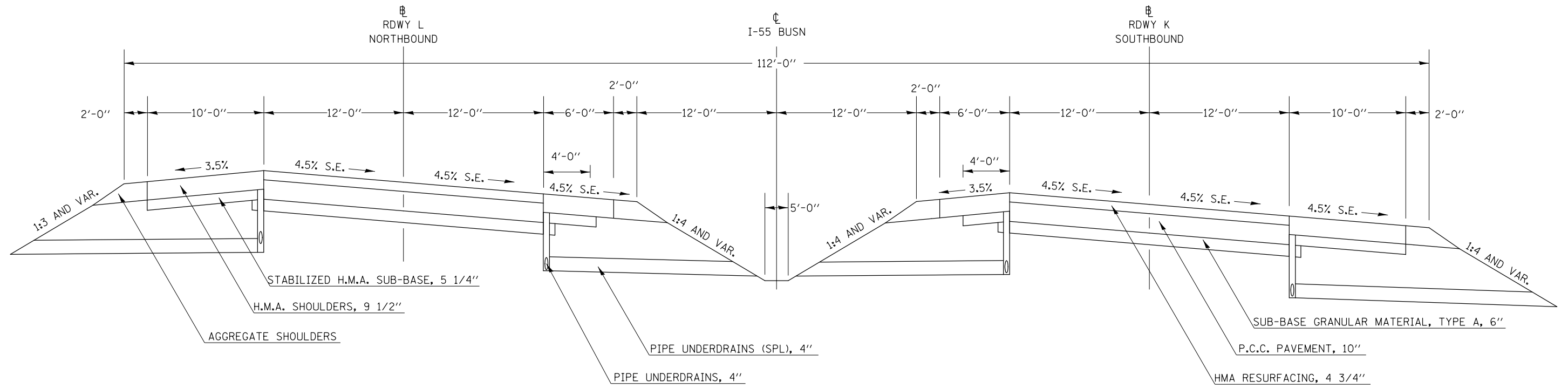


# EXISTING TYPICAL CROSS SECTION

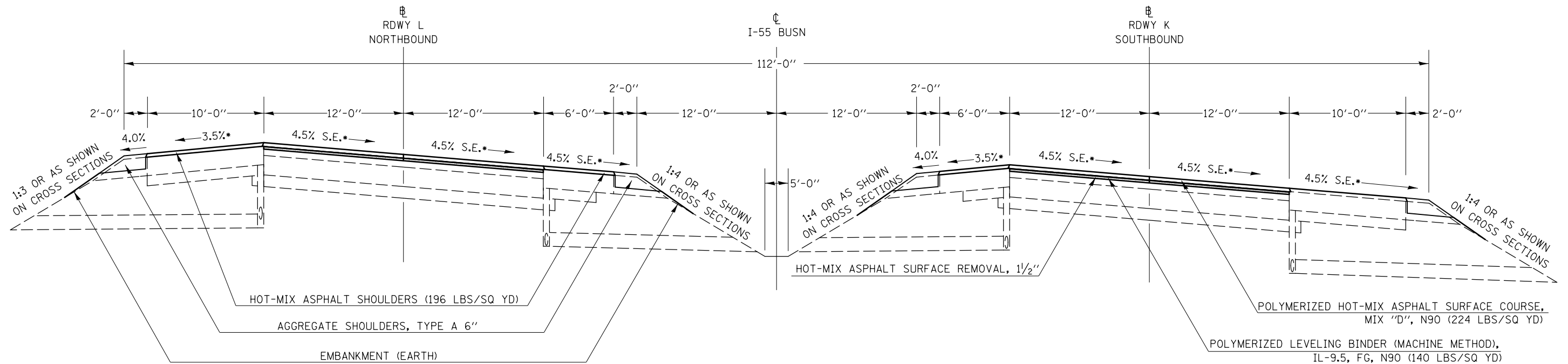
STATION TO STATION  
39+25.00 42+20.00 (ROADWAY L & K VETERANS PKWY)



\* MATCH EXISTING PAVEMENT SLOPES

# PROPOSED TYPICAL CROSS SECTION ③

STATION TO STATION  
② 39+25.00 42+20.00 (ROADWAY L & K VETERANS PKWY) ④



FILE NAME =	USER NAME = detersbj	DESIGNED -	REVISED -
ei:\pw\work\p\dot\detersbj\d0157116\d570570-sht-typicals.dgn		DRAWN -	REVISED -
PLOT SCALE = 40.0000' / in.		CHECKED -	REVISED -
PLOT DATE = 8/13/2013		DATE -	REVISED -

STATE OF ILLINOIS  
DEPARTMENT OF TRANSPORTATION

TYPICAL SECTIONS

SCALE: SHEET NO. 3 OF 14 SHEETS STA. TO STA.

F.A.P. RTE.	SECTION	COUNTY	TOTAL SHEETS	SHEET NO.
704	57-20(HB,HB-1)BR-1	MCLEAN	440	21
CONTRACT NO. 70570				
ILLINOIS FED. AID PROJECT				