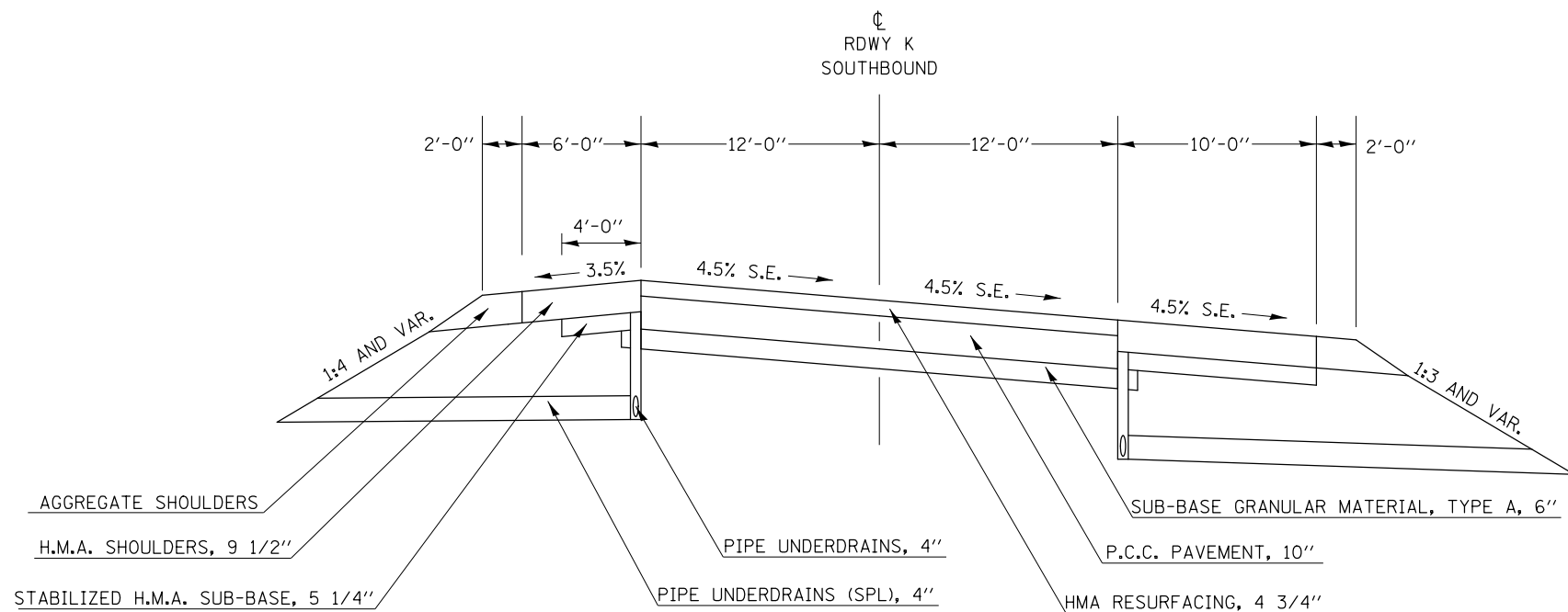


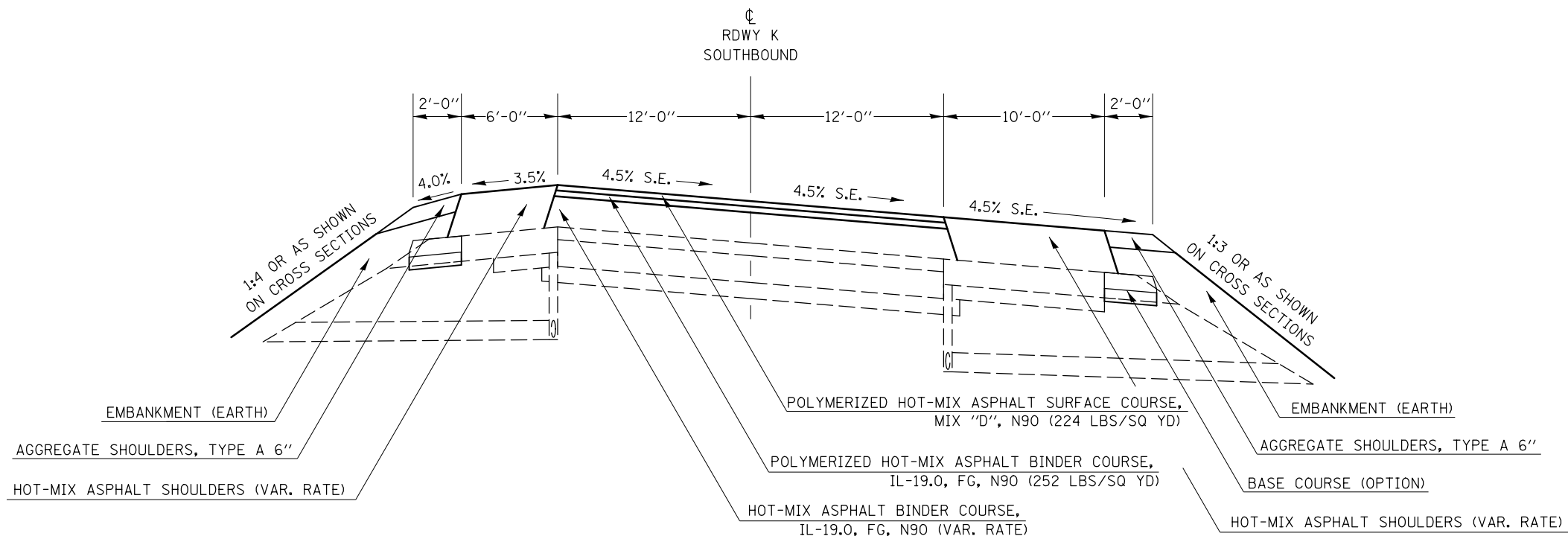
EXISTING TYPICAL CROSS SECTION

STATION TO STATION
59+96.00 65+00.00 (ROADWAY K VETERANS PKWY SB)



PROPOSED TYPICAL CROSS SECTION 9

STATION TO STATION
⑤ 59+96.00 65+00.00 (ROADWAY K VETERANS PKWY SB)



FILE NAME =	USER NAME = detersbj	DESIGNED -	REVISED -	STATE OF ILLINOIS DEPARTMENT OF TRANSPORTATION	TYPICAL SECTIONS			F.A.P. RTE.	SECTION	COUNTY	TOTAL SHEETS	SHEET NO.
ci:\pw\work\p\dot\detersbj\d01571116\d570570-sht-typicals.dgn		DRAWN -	REVISED -		704	57-20(HB,HB-1)BR-1	MCLEAN	440	27			
PLOT SCALE = 40.0000' / in.		CHECKED -	REVISED -		SCALE: SHEET NO. 9 OF 14 SHEETS STA. TO STA.			CONTRACT NO. 70570				
PLOT DATE = 8/13/2013		DATE -	REVISED -		ILLINOIS FED. AID PROJECT							