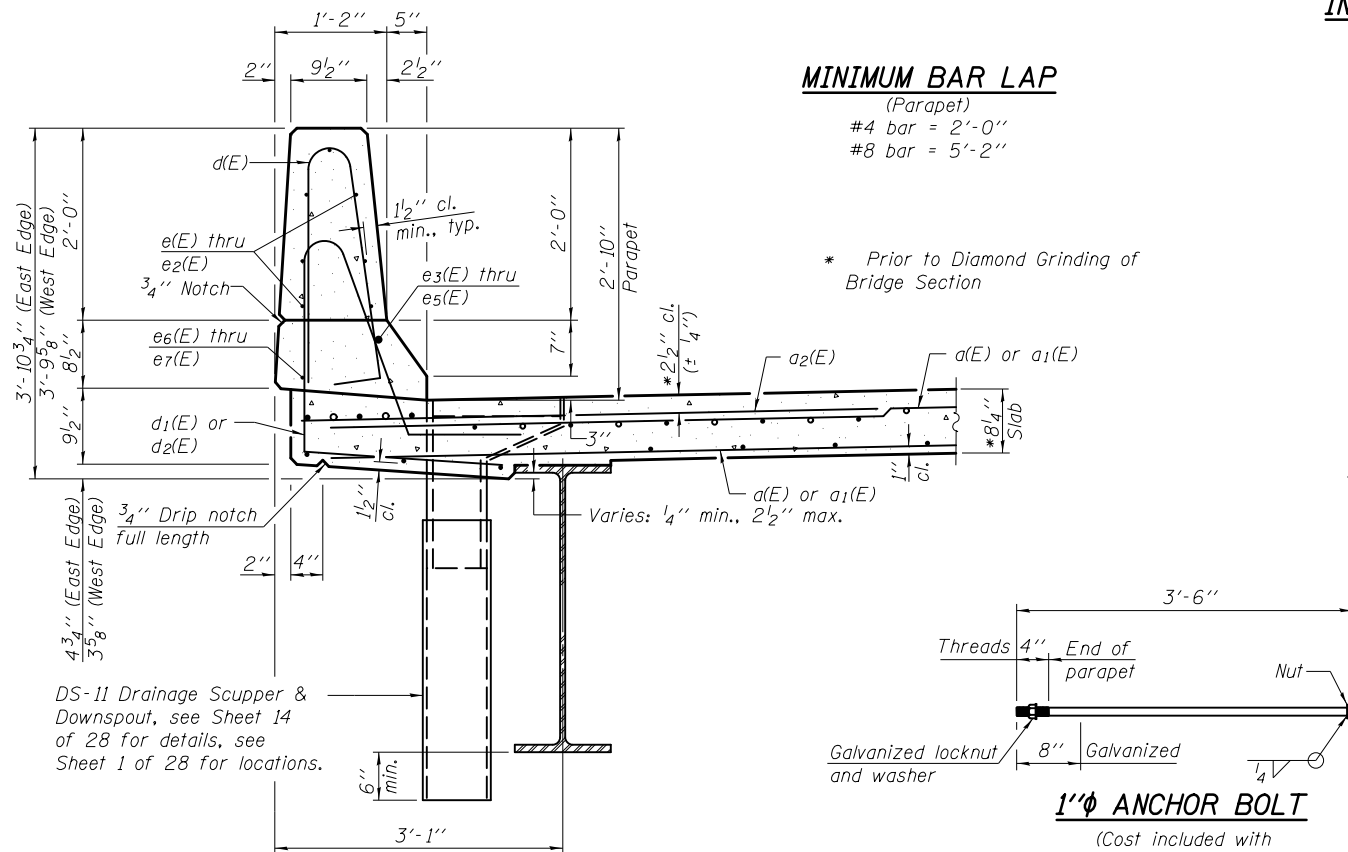


INSIDE ELEVATION OF PARAPET

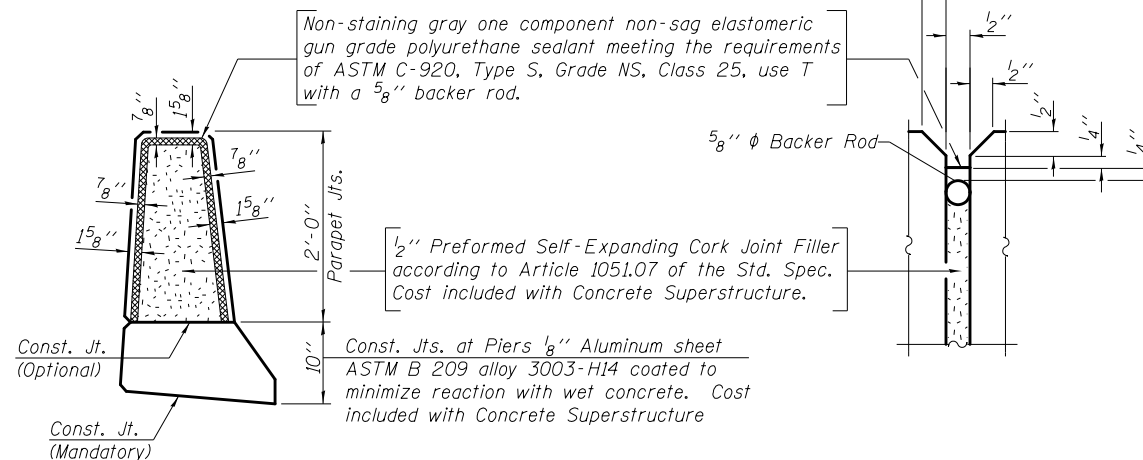
MINIMUM BAR LAP

(Parapet)
 #4 bar = 2'-0"
 #8 bar = 5'-2"

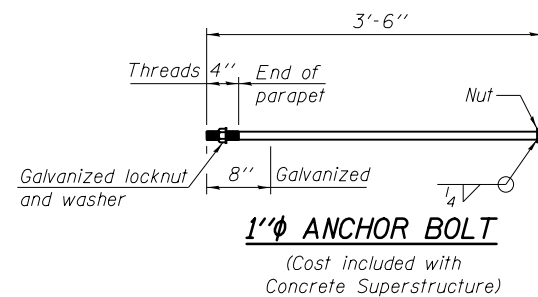
* Prior to Diamond Grinding of Bridge Section



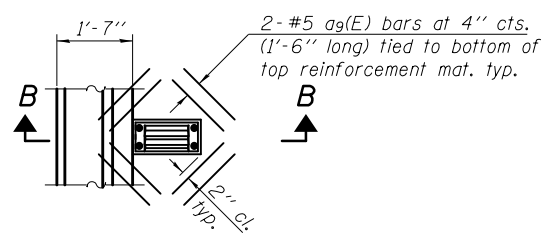
SECTION THRU PARAPET



PARAPET JOINT DETAILS

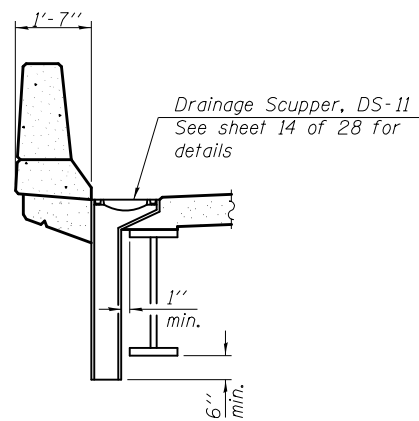


SECTION B-B

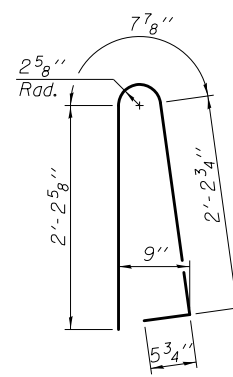


PLAN

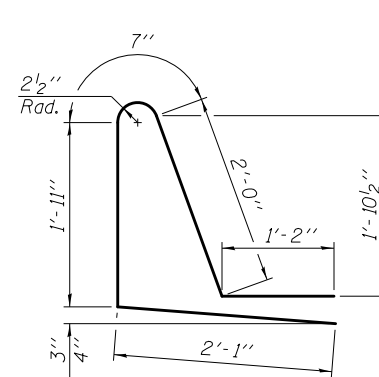
Note:
 Cut longitudinal reinforcement to clear drainage scuppers.



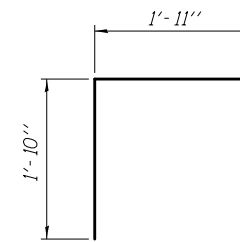
SECTION B-B



BAR d(E)



BARS d1(E) & d2(E)



BAR v(E)

SUPERSTRUCTURE BILL OF MATERIAL

Bar	No.	Size	Length	Shape
a(E)	586	#5	19'-8"	—
a1(E)	586	#5	41'-0"	—
a2(E)	732	#6	6'-6"	—
a3(E)	4	#5	20'-1"	—
a4(E)	4	#5	41'-6"	—
a9(E)	16	#5	1'-6"	—
b(E)	462	#5	28'-4"	—
b1(E)	126	#6	41'-9"	—
b2(E)	432	#5	25'-2"	—
d(E)	400	#5	5'-7"	U
d1(E)	200	#5	7'-9"	U
d2(E)	200	#5	7'-9"	U
e(E)	56	#4	19'-8"	—
e1(E)	42	#4	19'-4"	—
e2(E)	56	#4	10'-8"	—
e3(E)	4	#8	39'-8"	—
e4(E)	4	#8	32'-0"	—
e5(E)	8	#8	10'-8"	—
e6(E)	14	#4	20'-11"	—
e7(E)	8	#4	10'-8"	—
m(E)	4	#6	19'-5"	—
m1(E)	4	#6	40'-10"	—
m2(E)	6	#6	20'-1"	—
m3(E)	6	#6	41'-6"	—
m4(E)	12	#6	9'-0"	—
m5(E)	24	#6	9'-9"	—
m6(E)	14	#6	6'-8"	—
m7(E)	4	#6	2'-9"	—
m8(E)	2	#6	3'-0"	—
m9(E)	2	#6	3'-4"	—
s(E)	124	#5	6'-10"	U
s1(E)	124	#4	9'-0"	U
v(E)	122	#5	3'-9"	Γ
Reinforcement Bars, Epoxy Coated		Pound	89600	
Concrete Superstructure		Cu. Yd.	377.0	

Bars indicated thus 1 x 3-#5 etc. indicates 1 line of bars with 3 lengths per line.
 See View B-B on sheet 15 of 28 for placement of 1" φ Anchor bolts in end of parapet.