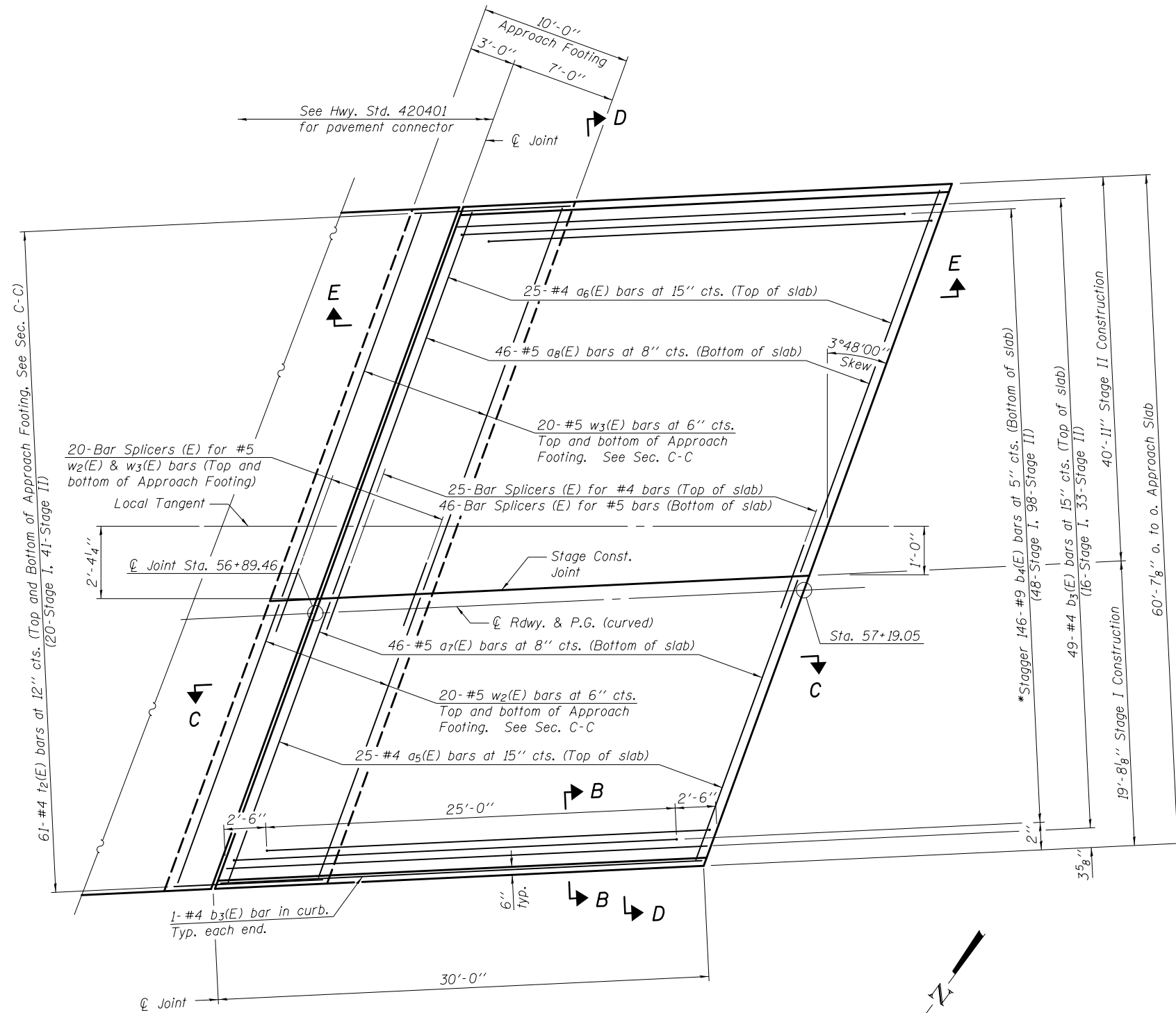
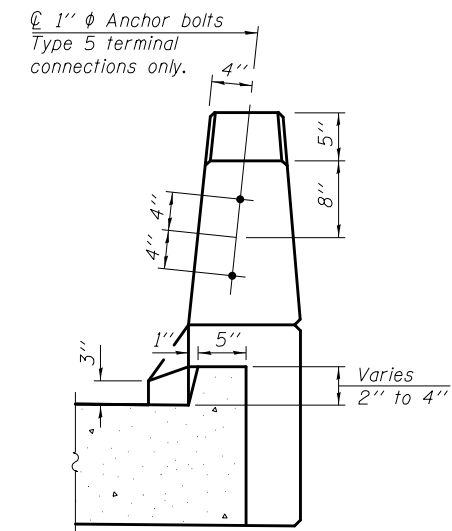


Notes:
See sheet 17 of 28 for Sections C-C & D-D and View E-E.
a₅(E) thru a₈(E) bar spacings measured along \bar{C} Rdwy.



PLAN - NORTH APPROACH

* Tilt #9 b₄(E) bars as required to maintain clearance.



VIEW B-B

(Sheet 1 of 3)

FILE NAME = \$FILES#  QUIGG ENGINEERING INC.	USER NAME = piersonbr	DESIGNED - MJT CHECKED - RJP	REVISED - REVISED -	STATE OF ILLINOIS DEPARTMENT OF TRANSPORTATION	BRIDGE APPROACH SLAB DETAILS STRUCTURE NO. 057-0251	F.A.I. RTE. 74	SECTION (57-20HB-1)BR	COUNTY MCLEAN	TOTAL SHEETS 440	SHEET NO. 168
	PLOT SCALE =	DRAWN - BAS CHECKED - MJT	REVISED - REVISED -			SHEET NO. 15 OF 28 SHEETS	CONTRACT NO. 70570		ILLINOIS FED. AID PROJECT	