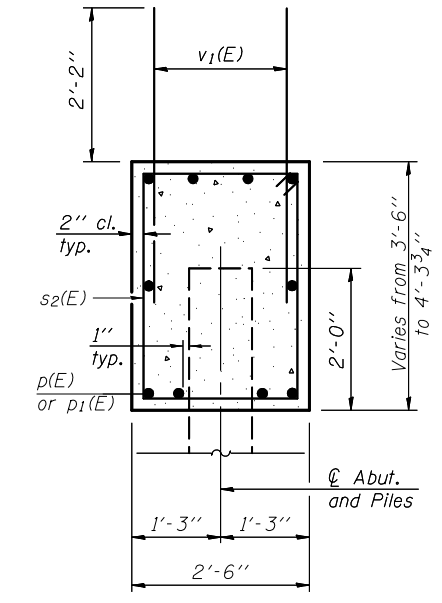
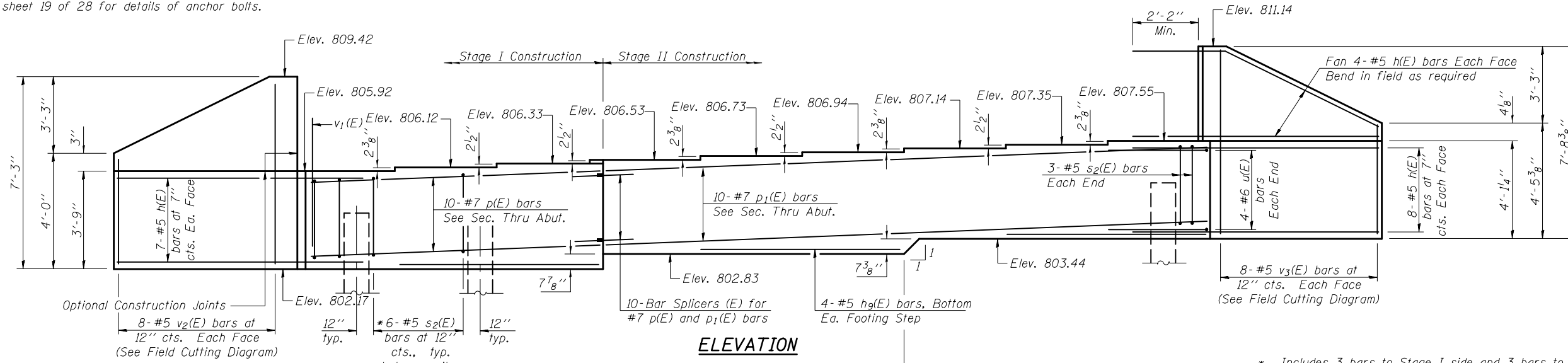


Notes:
 Pour steps monolithically with cap.
 Space reinforcement to miss anchor bolts. See sheet 19 of 28 for details of anchor bolts.



* Includes 3 bars to Stage I side and 3 bars to Stage II side of Stage Const. Jt. at same spacing.
 ** Includes 3 bars to Stage I side and 4 bars to Stage II side of Stage Const. Jt. at same spacing.

BILL OF MATERIAL

Bar	No.	Size	Length	Shape
h(E)	46	#5	10'-4"	—
h ₉ (E)	12	#5	14'-0"	—
p(E)	10	#7	20'-1"	—
p ₁ (E)	10	#7	41'-6"	—
s ₂ (E)	54	#5	11'-7"	□
u(E)	8	#6	9'-1"	∟
v ₁ (E)	125	#5	4'-4"	—
v ₂ (E)	8	#5	10'-7"	—
v ₃ (E)	8	#5	11'-5"	—
Structure Excavation		Cu. Yd.	134	
Concrete Structures		Cu. Yd.	25.3	
Reinforcement Bars, Epoxy Coated		Pound	3440	
Furnishing Metal Shell Piles 14" x 0.250"		Foot	224	
Driving Piles		Foot	224	
Test Pile Metal Shells		Each	1	
Pile Shoes		Each	9	

For details of Bar Splicers, see sheet 25 of 28.
 For details of piles, see sheet 24 of 28.

PILE DATA

Type: Metal Shell - 14 in. dia. x 0.250 in. walls with pile shoes
 Nominal Required Bearing: 255 kips
 Factored Resistance Available: 140 kips
 Est. Length: 28 ft. (all piles)
 No. Production Piles: 8
 No. Test Piles: 1

