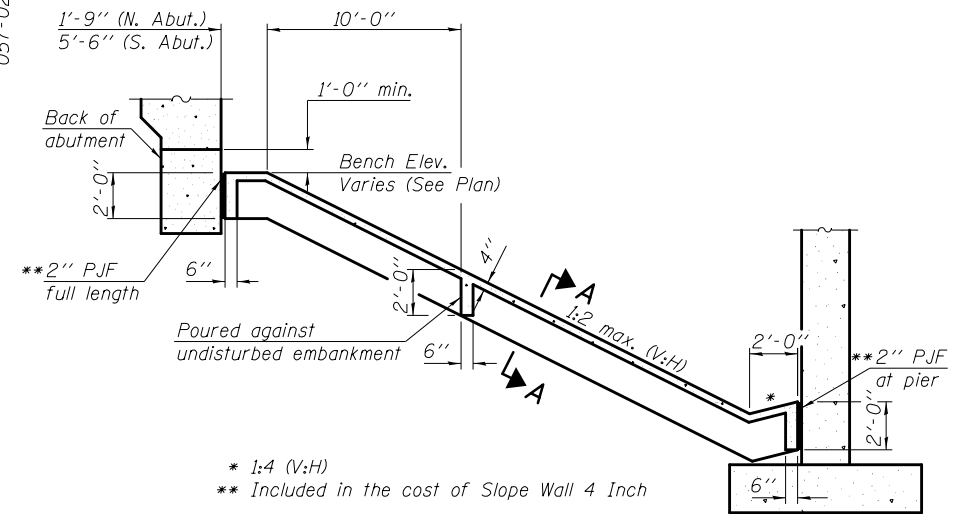
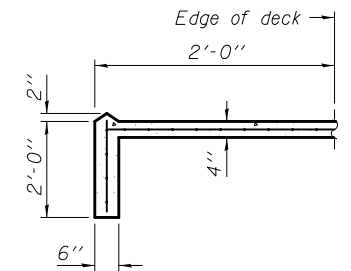


**SLOPE WALL PLAN**

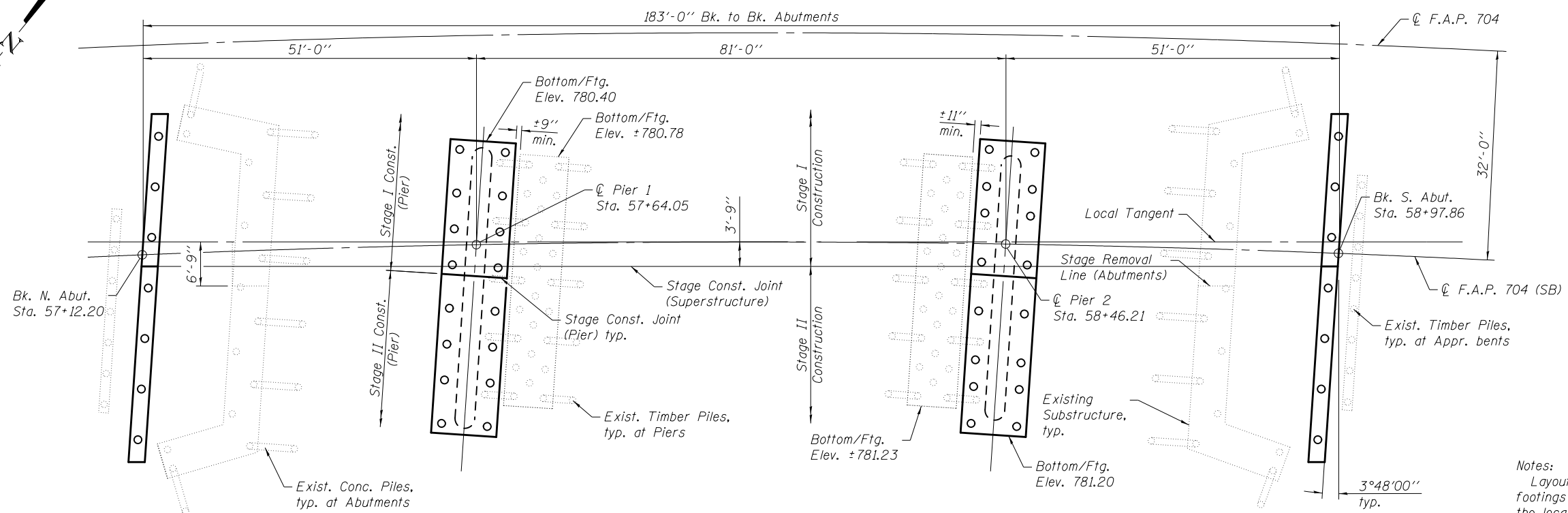


**SECTION THRU CONCRETE SLOPEWALL**  
Dimensions at right angles to substructures.

Notes:  
Sloped wall shall be reinforced with welded wire fabric, 6" x 6" - W4.0 x W4.0, weighing 58 lbs. per 100 sq. ft.  
Stations and offsets to sloped wall are given relative to  $\text{F.A.I. 74 (EB)}$ .



**SECTION A-A**



**FOUNDATION LAYOUT**

Notes:  
Layout shows relative position of existing and proposed footings and piles. Existing foundations may vary slightly from the locations shown here and on the existing structure plans.  
Location of proposed piles may be adjusted (up to  $\pm 1$  foot) to avoid conflict with existing piles.  
The full existing piers, including cap beams, shall remain intact until removal of the superstructure in Stage II. Limited removal of the edge of footing may be necessary if it conflicts with the proposed footing.

FILE NAME = \$FILES*	USER NAME = piersonbr	DESIGNED - VPT	REVISD - -	<b>STATE OF ILLINOIS DEPARTMENT OF TRANSPORTATION</b>	<b>SLOPE WALL AND FOUNDATION LAYOUT STRUCTURE NO. 057-0252</b>	F.A.I. RTE.	SECTION	COUNTY	TOTAL SHEETS	SHEET NO.	
	PLOT SCALE =	CHECKED - TF	REVISD - -			74	(57-20HB-1)BR-1	MCLEAN	440	184	
	PLOT DATE = 7/26/2013 \$TIME*	DRAWN - JAE	REVISD - -			<b>CONTRACT NO. 70570</b>					
		CHECKED - BAS	REVISD - -			SHEET NO. 3 OF 26 SHEETS					