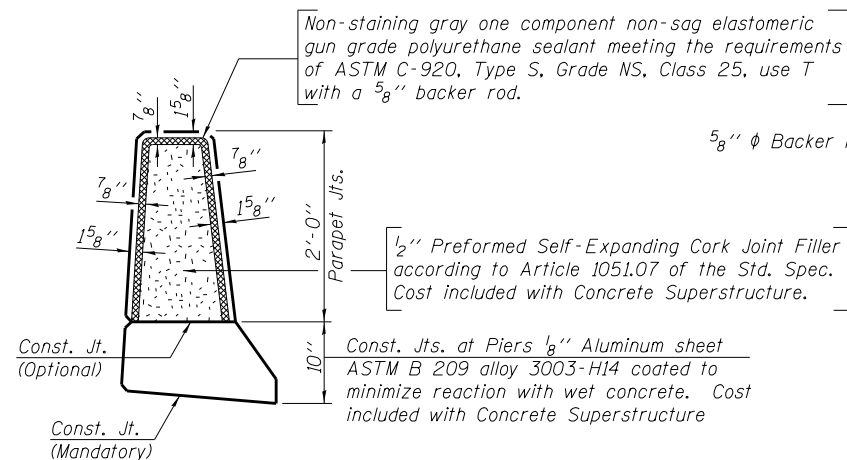
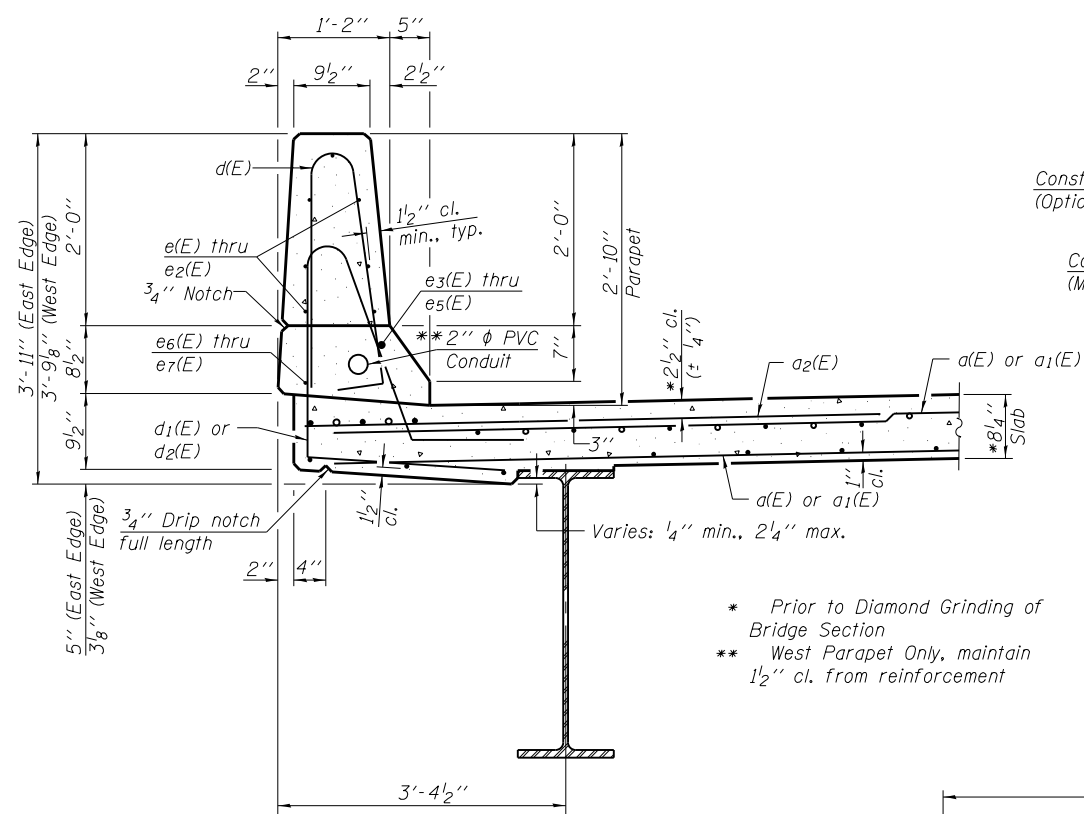


**INSIDE ELEVATION OF PARAPET**

**MINIMUM BAR LAP**  
(Parapet)  
#4 bar = 2'-0"  
#8 bar = 5'-2"

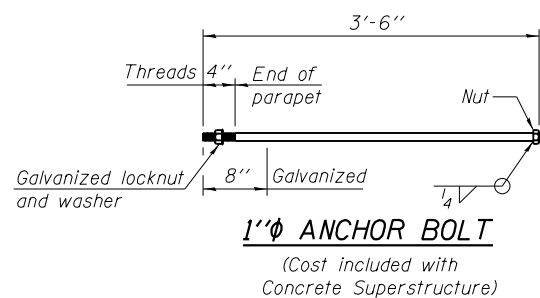


**PARAPET JOINT DETAILS**

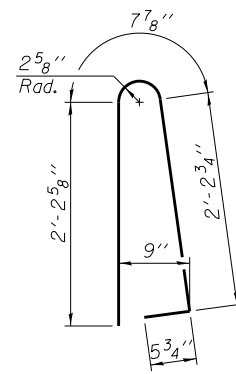


**SECTION THRU PARAPET**

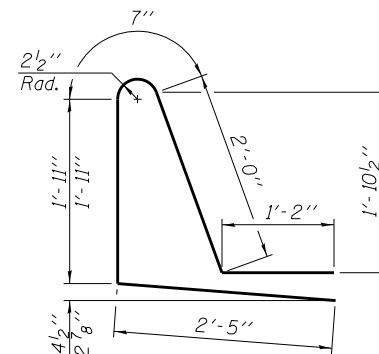
\* Prior to Diamond Grinding of Bridge Section  
\*\* West Parapet Only, maintain 1/2" cl. from reinforcement



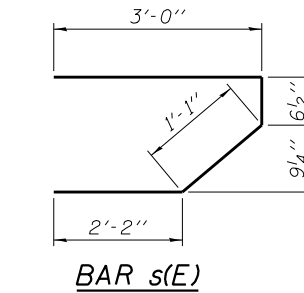
**1" ANCHOR BOLT**  
(Cost included with Concrete Superstructure)



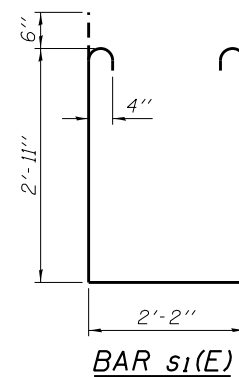
**BAR d(E)**



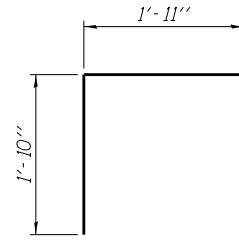
**BARS d1(E) & d2(E)**



**BAR s(E)**



**BAR s1(E)**



**BAR v(E)**

**SUPERSTRUCTURE BILL OF MATERIAL**

Bar	No.	Size	Length	Shape
a(E)	644	#5	22'-7"	—
a1(E)	644	#5	29'-2"	—
a2(E)	800	#6	6'-6"	—
a3(E)	4	#5	23'-0"	—
a4(E)	4	#5	29'-7"	—
b(E)	399	#5	28'-4"	—
b1(E)	108	#6	41'-0"	—
b2(E)	432	#5	25'-2"	—
d(E)	400	#5	5'-7"	U
d1(E)	200	#5	8'-1"	U
d2(E)	200	#5	8'-1"	U
e(E)	56	#4	19'-8"	—
e1(E)	42	#4	19'-4"	—
e2(E)	56	#4	10'-8"	—
e3(E)	4	#8	39'-8"	—
e4(E)	4	#8	32'-0"	—
e5(E)	8	#8	10'-8"	—
e6(E)	14	#4	20'-11"	—
e7(E)	8	#4	10'-8"	—
m(E)	4	#6	22'-4"	—
m1(E)	4	#6	28'-11"	—
m2(E)	6	#6	23'-0"	—
m3(E)	6	#6	29'-7"	—
m4(E)	28	#6	9'-11"	—
m5(E)	10	#6	7'-5"	—
m6(E)	4	#6	3'-0"	—
m7(E)	2	#6	4'-1"	—
m8(E)	2	#6	2'-11"	—
s(E)	110	#5	6'-10"	U
s1(E)	108	#4	9'-0"	U
v(E)	104	#5	3'-9"	L
Reinforcement Bars, Epoxy Coated		Pound		84390
Concrete Superstructure		Cu. Yd.		328.5

Bars indicated thus 1 x 3-#5 etc. indicates 1 line of bars with 3 lengths per line.  
See View B-B on sheet 13 of 26 for placement of 1" anchor bolts in end of parapet.