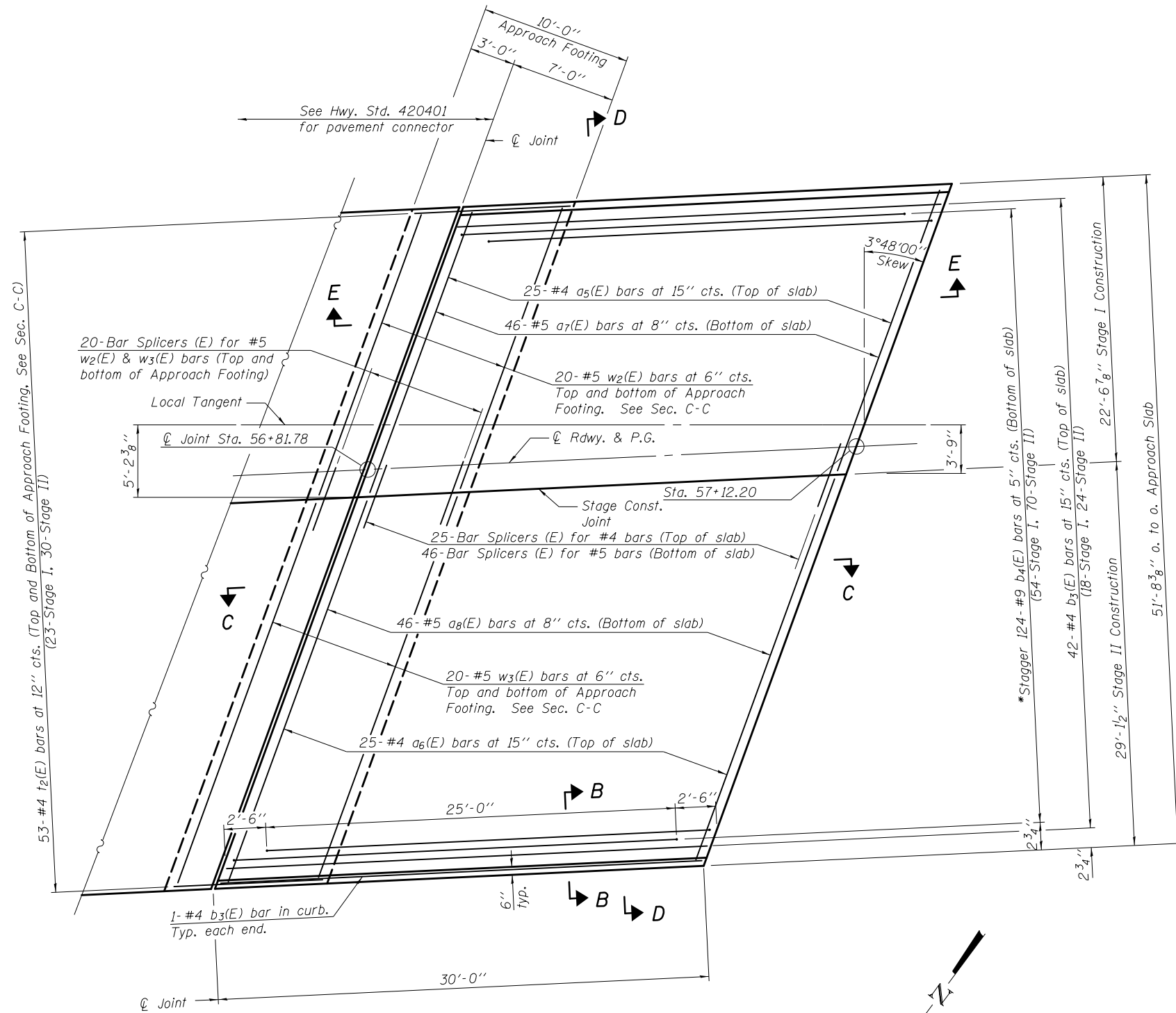
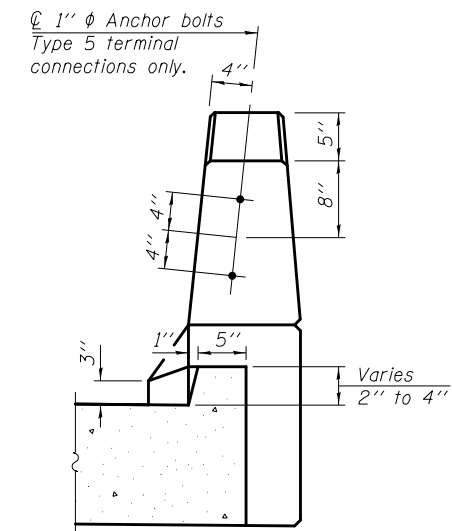


Notes:  
See sheet 15 of 26 for Sections C-C & D-D and View E-E.  
a<sub>5</sub>(E) thru a<sub>8</sub>(E) bar spacings measured along  $\hat{C}$  Rdwy.



**PLAN - NORTH APPROACH**

\* Tilt #9 b<sub>4</sub>(E) bars as required to maintain clearance.



**VIEW B-B**

(Sheet 1 of 3)