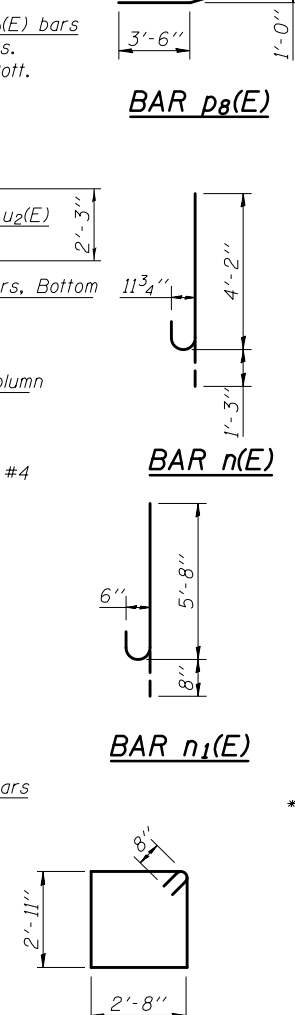
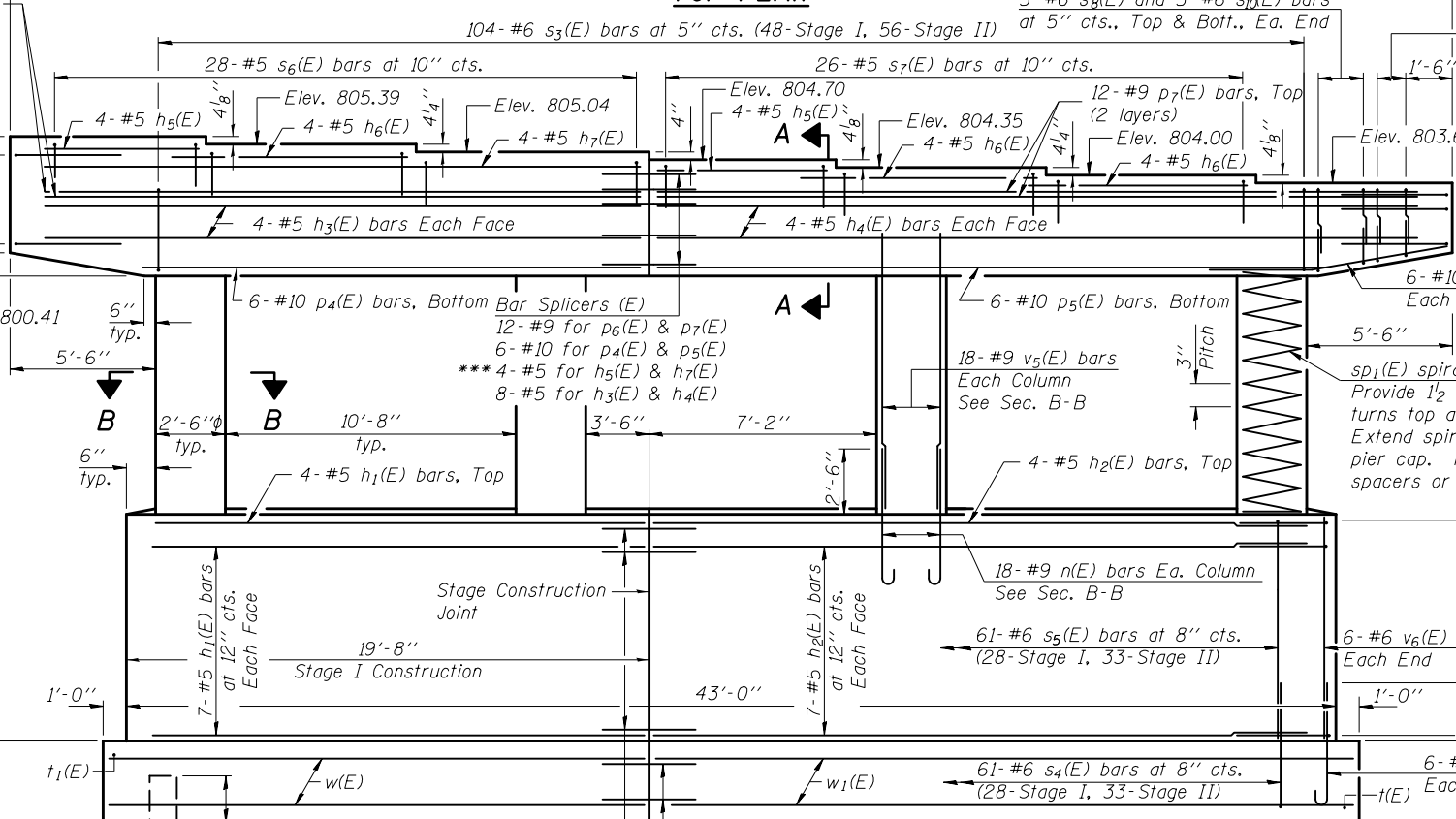
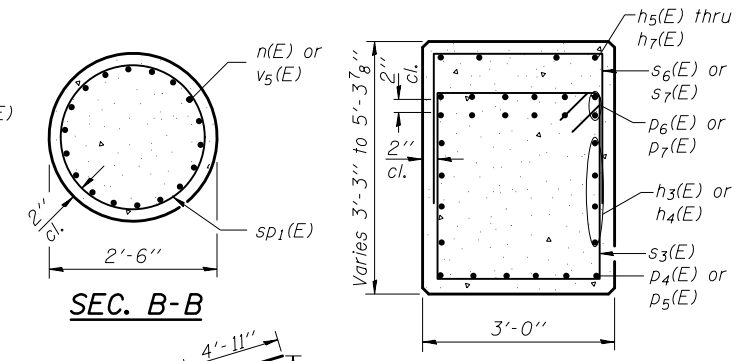
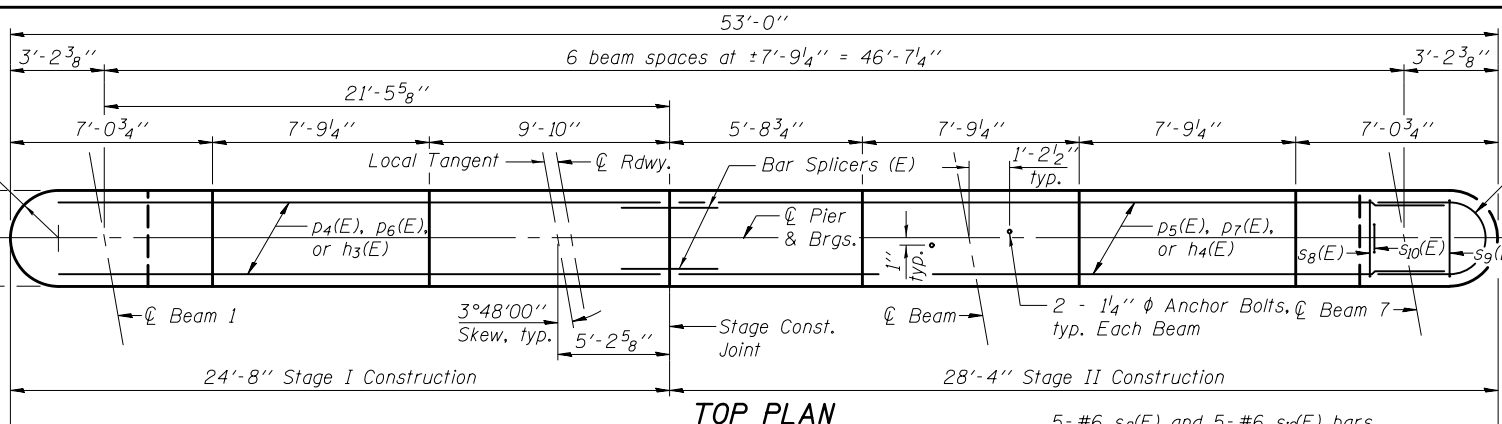


Notes:
 Space reinforcement in cap to miss anchor bolts.
 Pour steps monolithically with cap.
 For details of piles, see sheet 22 of 26.
 For details of Bar Splicers, see sheet 23 of 26.

PILE DATA

Type: Metal Shell - 14 in. dia. x 0.312 in. walls with pile shoes
 Nominal Required Bearing: 365 kips
 Factored Resistance Available: 190 kips
 Est. Length: 30 ft
 No. Production Piles: 15
 No. Test Piles: 1

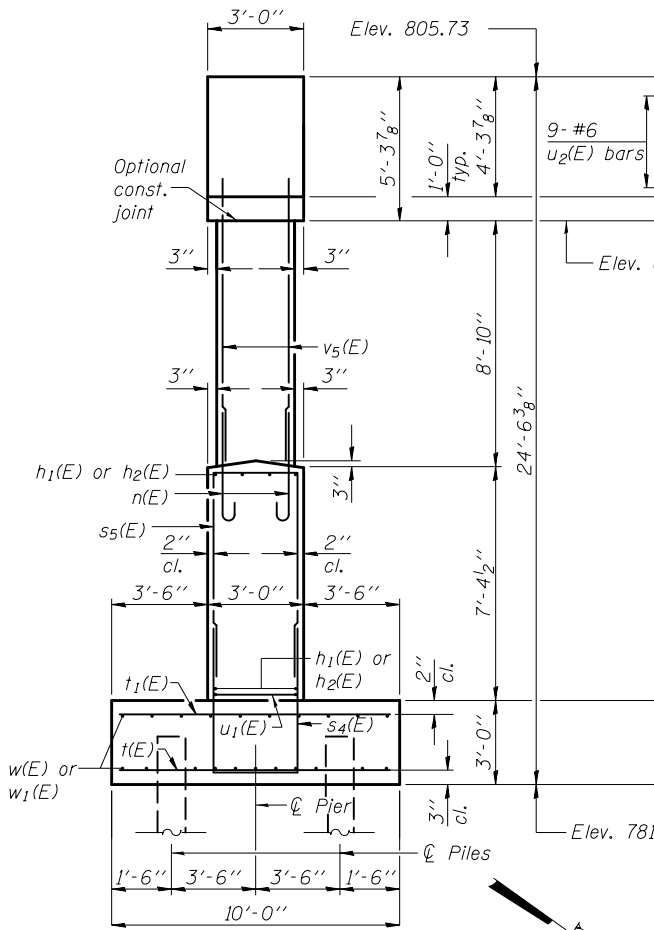
12-#9 p₆(E) bars
 Top (2 layers)



BILL OF MATERIAL

Bar	No.	Size	Length	Shape
h ₁ (E)	18	#5	18'-0"	—
h ₂ (E)	18	#5	21'-8"	—
h ₃ (E)	8	#5	23'-0"	—
h ₄ (E)	8	#5	26'-8"	—
h ₅ (E)	8	#5	5'-4"	—
h ₆ (E)	12	#5	9'-3"	—
h ₇ (E)	4	#5	23'-0"	—
n(E)	72	#9	5'-5"	U
n ₁ (E)	12	#6	6'-4"	U
p ₄ (E)	6	#10	19'-6"	—
p ₅ (E)	6	#10	23'-2"	—
p ₆ (E)	12	#9	23'-0"	—
p ₇ (E)	12	#9	26'-8"	—
p ₈ (E)	12	#10	8'-5"	—
s ₃ (E)	104	#6	12'-6"	□
s ₄ (E)	61	#6	14'-4"	U
s ₅ (E)	61	#6	16'-10"	U
s ₆ (E)	28	#5	8'-10"	U
s ₇ (E)	26	#5	6'-10"	U
s ₈ (E)	20	#6	7'-8"	U
s ₉ (E)	16	#6	7'-0"	U
s ₁₀ (E)	20	#6	6'-0"	U
sp ₁ (E)	4	#4	9'-0"	W
t(E)	65	#7	9'-8"	—
t ₁ (E)	46	#5	9'-8"	—
u ₁ (E)	16	#5	9'-0"	U
u ₂ (E)	14	#6	10'-8"	U
v ₅ (E)	72	#9	11'-5"	—
v ₆ (E)	12	#6	7'-1"	—
w(E)	21	#5	20'-4"	—
w ₁ (E)	21	#5	24'-0"	—
Structure Excavation	Cu. Yd.		189	
Concrete Structures	Cu. Yd.		114.9	
Reinforcement Bars, Epoxy Coated	Pound		18970	
Furnishing Metal Shell Piles 14" x 0.312"	Foot		450	
Driving Piles	Foot		450	
Test Pile Metal Shells	Each		1	
Concrete Sealer	Sq. Ft.		1589	
Pile Shoes	Each		16	

END VIEW

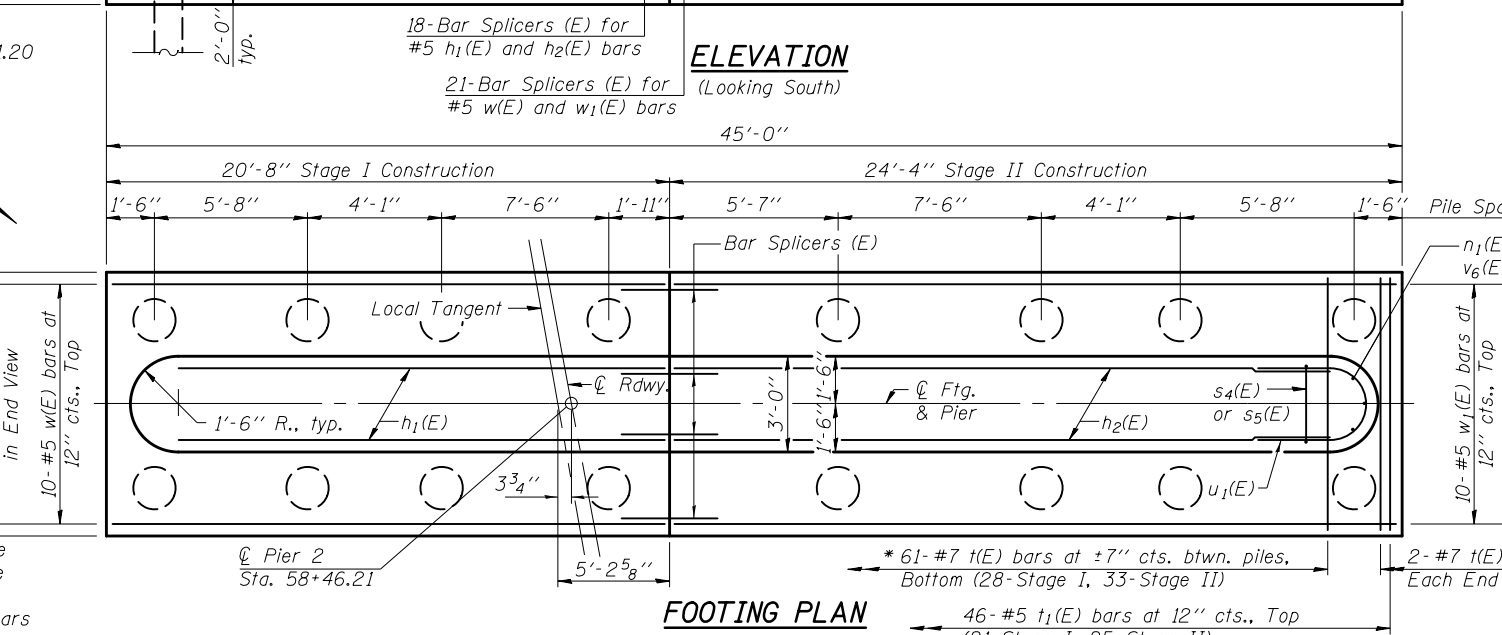


A & B DIMENSIONS

Bar	A	B
s ₄ (E) thru s ₁₀ (E) BARS	2'-8"	5'-10"
s ₅ (E)	2'-8"	7'-1"
s ₆ (E)	2'-8"	3'-1"
s ₇ (E)	2'-8"	2'-1"
s ₈ (E)	2'-8"	2'-6"
s ₉ (E)	2'-8"	2'-2"
s ₁₀ (E)	1'-0"	2'-6"

* 11 bars per 7'-6" space
 8 bars per 5'-8" space
 6 bars per 4'-1" space
 8 bars to west and 3 bars to east of stage const. jt.

FOOTING PLAN



BARS u₁(E) & u₂(E)

