

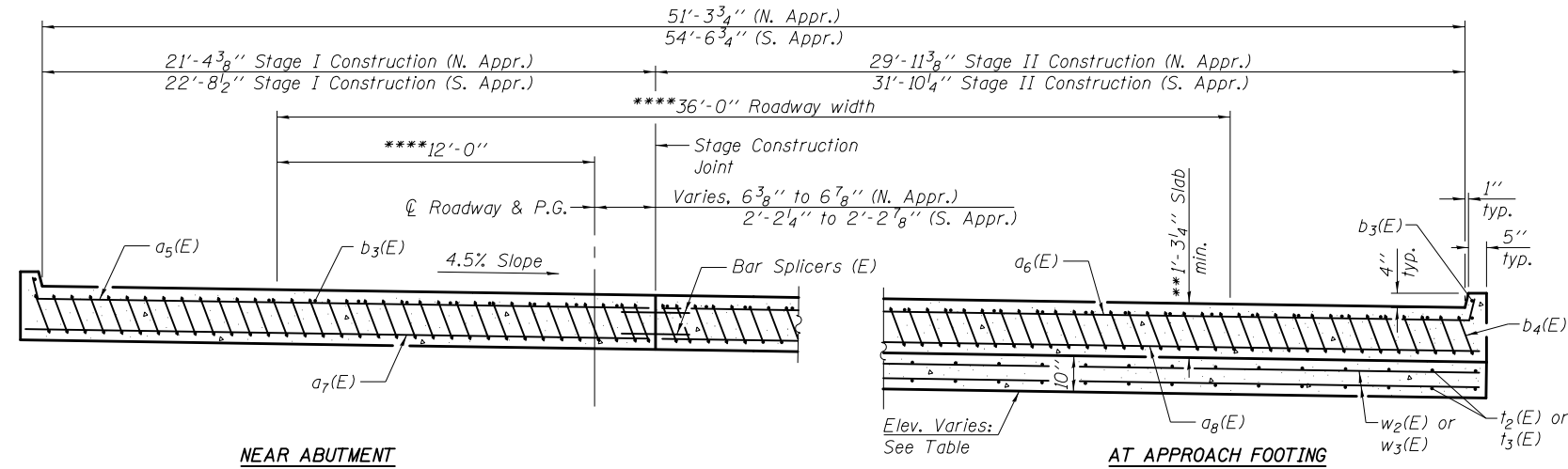
Notes:  
 Approach slab concrete shall be paid for as Concrete Superstructure.  
 Approach footing concrete shall be paid for as Concrete Structures.  
 Reinforcement shall be paid for as Reinforcement Bars, Epoxy Coated.  
 For v(E) bar details, see sheets 12 and 13 of 28.  
 The approach footing maximum applied service bearing pressure (Qmax) = 2.0 ksf.  
 For bar splicer details, see sheet 25 of 28.  
 Cost of excavation for approach footing included with Concrete Structures.  
 For Granular Backfill for Structures and drainage treatment details, see sheet 2 of 28.  
 Dimensions are shown parallel and perpendicular to the Stage Construction Joint, unless noted otherwise.

**TWO APPROACHES  
 BILL OF MATERIAL**

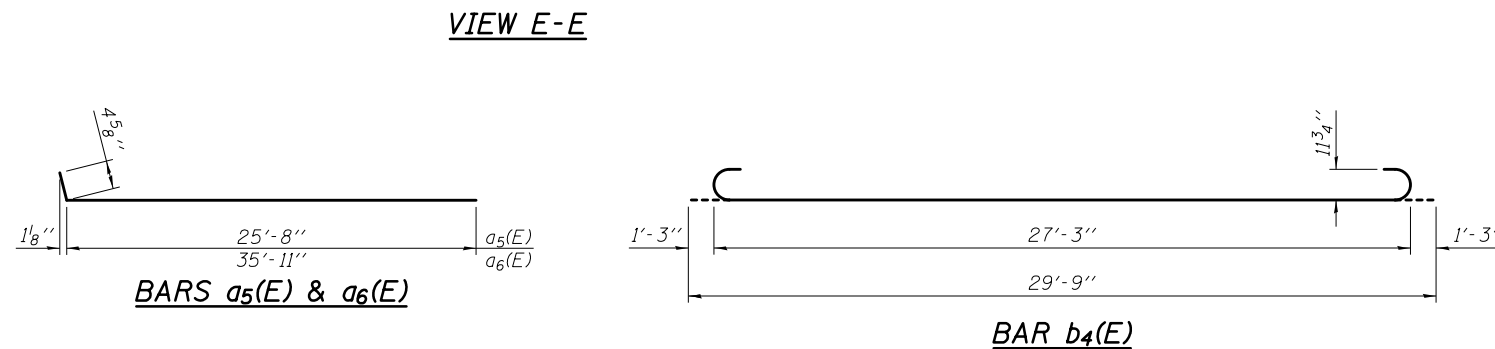
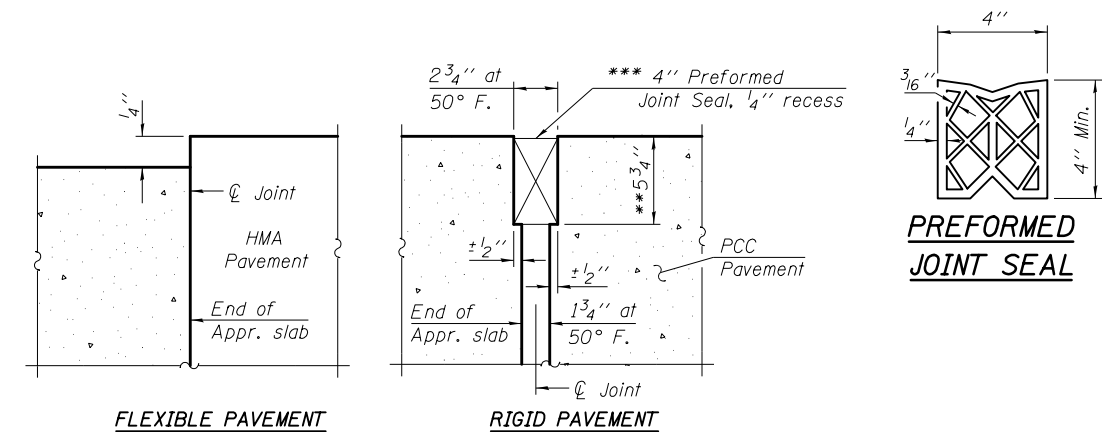
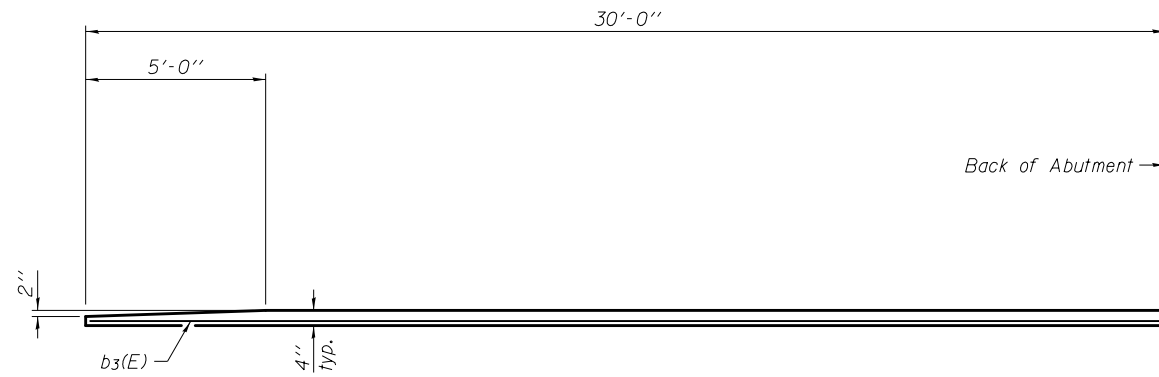
Bar	No.	Size	Length	Shape	
a5(E)	50	#4	26'-1"	U	
a6(E)	50	#4	36'-4"	U	
a7(E)	92	#5	25'-9"	U	
a8(E)	92	#5	36'-1"	U	
b3(E)	92	#4	29'-8"	U	
b4(E)	260	#9	29'-9"	U	
t2(E)	106	#4	11'-7"	U	
t3(E)	114	#4	10'-10"	U	
w2(E)	80	#5	25'-9"	U	
w3(E)	80	#5	36'-1"	U	
Concrete Superstructure				Cu. Yd.	154.2
Concrete Structures				Cu. Yd.	38.7
Reinforcement Bars, Epoxy Coated				Pound	42940

**APPROACH FOOTING ELEVATIONS**

	N. Appr.	S. Appr.
West Edge	811.13	809.00
Stage Const. Jt.	812.35	810.33
East Edge	813.22	811.29



- \* Tilt #9 b4(E) bars as required to maintain clearance.
- \*\* Prior to Diamond Grinding of the Bridge Section.
- \*\*\* Cost included with Concrete Superstructure.
- \*\*\*\* Measured radially.



(Sheet 3 of 3)