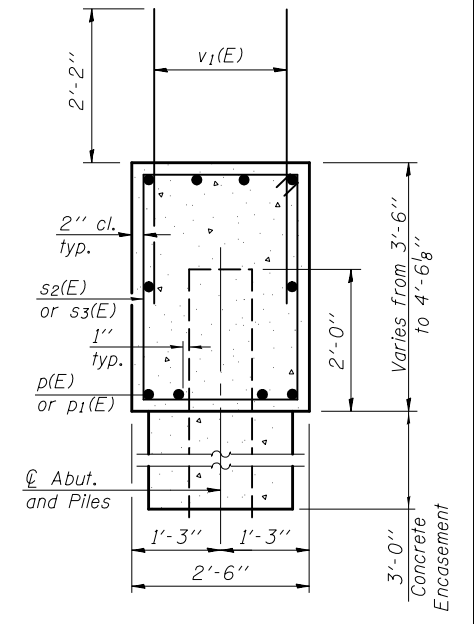
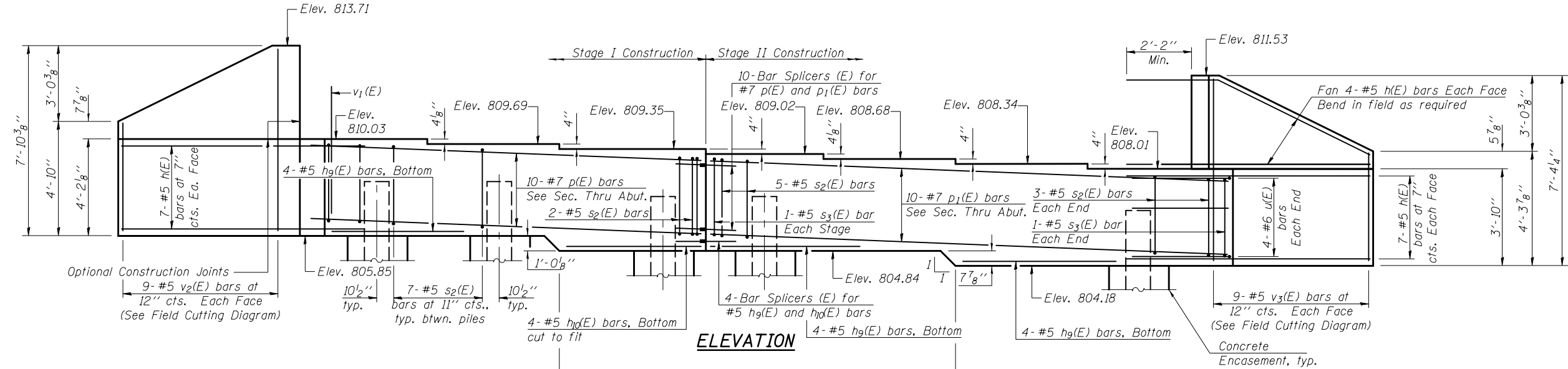
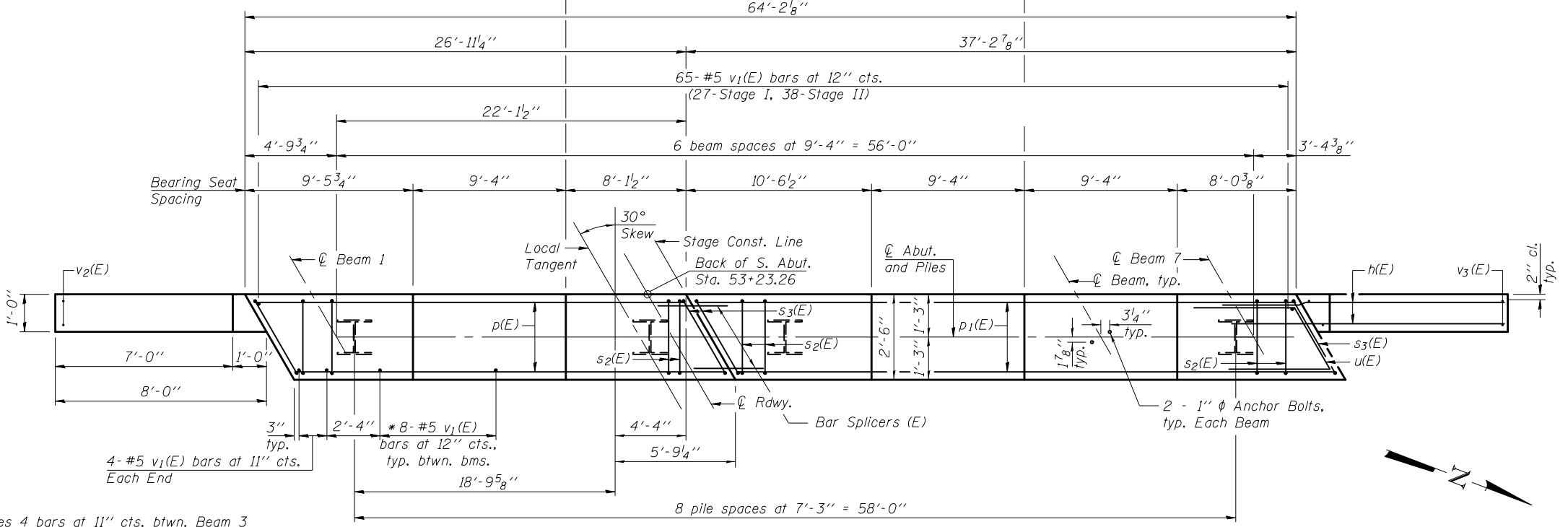


Notes:  
 Pour steps monolithically with cap.  
 Space reinforcement bars to miss anchor bolts.



SEC. THRU ABUT.

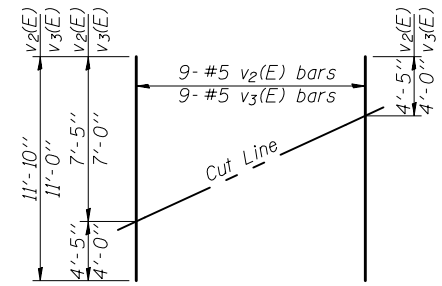


PLAN

\* Includes 4 bars at 11" cts. btwn. Beam 3 and Stage Const. Jt. and 4 bars at 13" cts. btwn. Beam 4 and Stage Const. Jt.

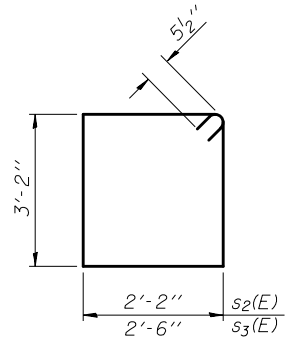
**PILE DATA**

Type: Steel - HP12x53  
 Nominal Required Bearing: 227 kips  
 Factored Resistance Available: 125 kips  
 Est. Length: 46 ft (all piles)  
 No. Production Piles: 8  
 No. Test Piles: 1

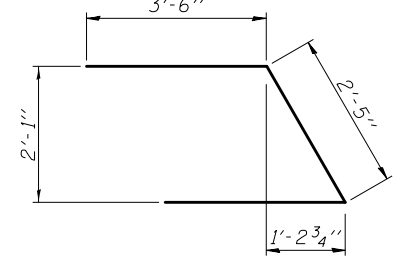


FIELD CUTTING DIAGRAM

Order v2(E) and v3(E) full length. Cut as shown and use remainder of bars in opposite face.



BARS s2(E) & s3(E)



BAR u(E)

**BILL OF MATERIAL**

Bar	No.	Size	Length	Shape
h(E)	44	#5	10'-8"	—
h9(E)	12	#5	11'-0"	—
h10(E)	4	#5	9'-2"	—
p(E)	10	#7	26'-6"	—
p1(E)	10	#7	36'-10"	—
s2(E)	62	#5	11'-7"	□
s3(E)	4	#5	12'-3"	□
u(E)	8	#6	9'-5"	∟
v1(E)	121	#5	4'-4"	—
v2(E)	9	#5	11'-10"	—
v3(E)	9	#5	11'-0"	—
Structure Excavation		Cu. Yd.	154	
Concrete Structures		Cu. Yd.	27.8	
Reinforcement Bars, Epoxy Coated		Pound	3630	
Furnishing Steel Piles HP12x53		Foot	368	
Driving Piles		Foot	368	
Test Pile Steel HP12x53		Each	1	
Concrete Encasement		Cu. Yd.	3.1	

For details of Bar Splicers, see sheet 25 of 28.  
 For details of piles and Concrete Encasement, see sheet 24 of 28.