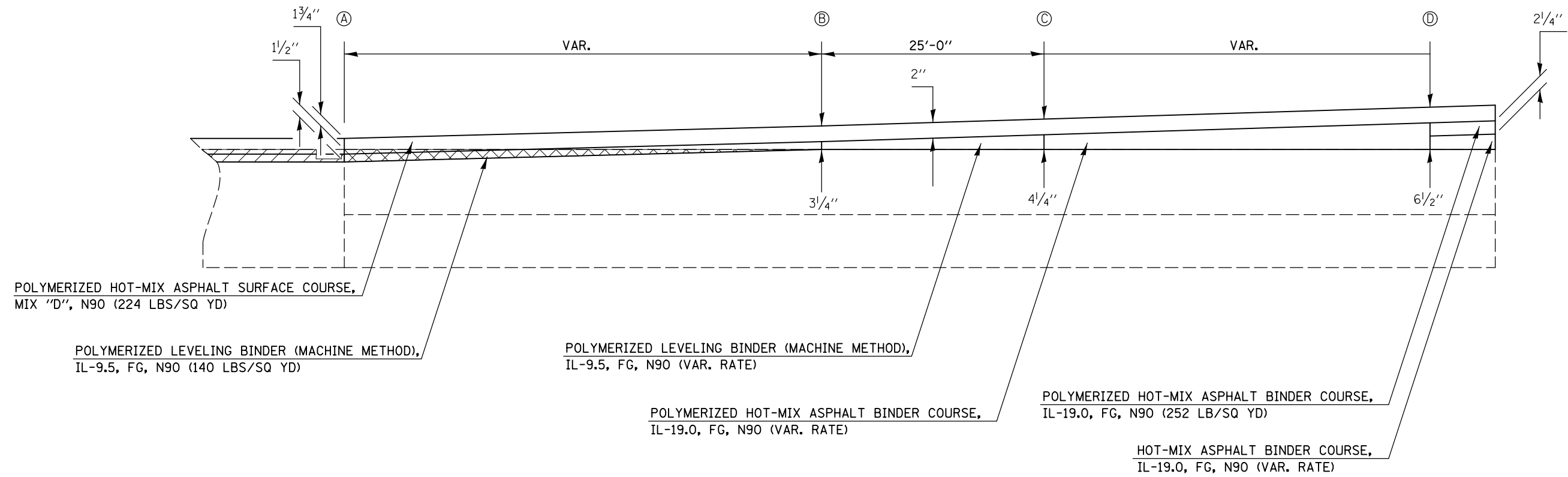


DETAIL FOR MAINLINE MILLING AND PAVING TRANSITIONS

	Ⓐ	TO	Ⓑ	TO	Ⓒ	TO	Ⓓ
	STATION		STATION		STATION		STATION
F.A.P. 704 NORTHBOUND	42+20.00		43+37.00		43+62.00		44+10.60
F.A.P. 704 SOUTHBOUND	42+20.00		43+82.00		44+07.00		44+63.00
RAMP N	24+62.00		21+24.00		20+88.00		20+44.00



- HOT-MIX ASPHALT SURFACE REMOVAL, 1 1/2"
- HOT-MIX ASPHALT SURFACE REMOVAL, BUTT JOINT