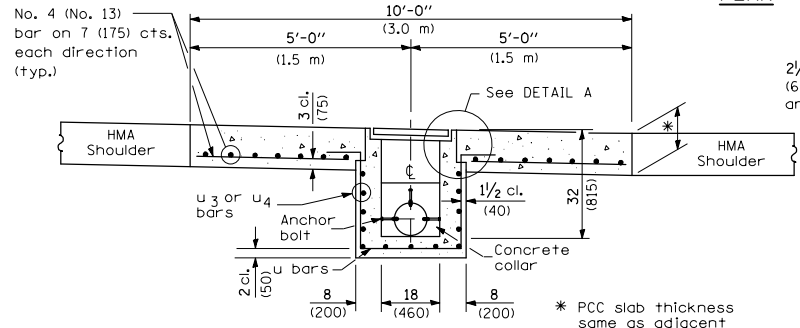
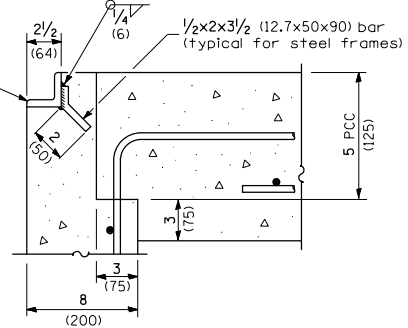


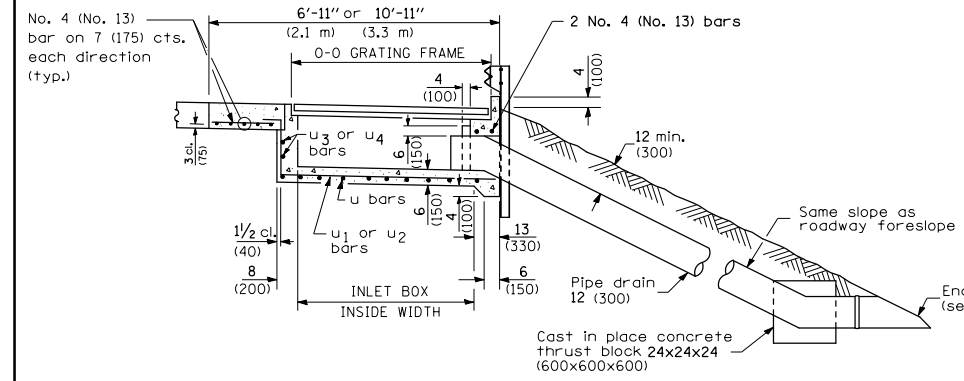
PLAN



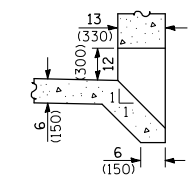
SEC. A-A



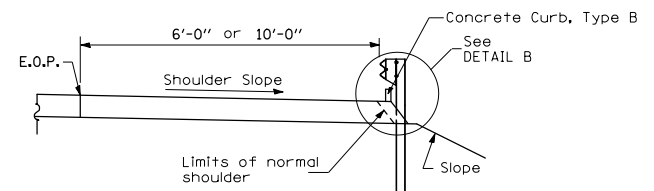
DETAIL A



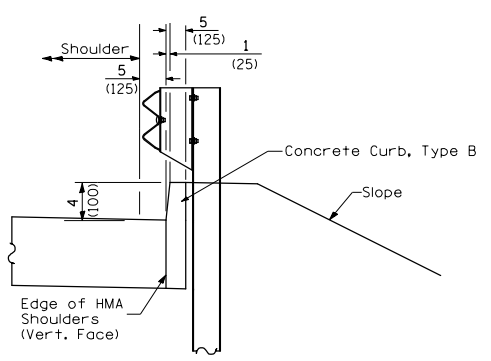
SEC. B-B



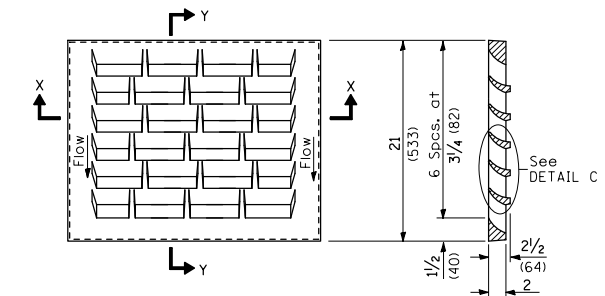
BOX OUTLET WHEN PRECAST



SECTION C-C

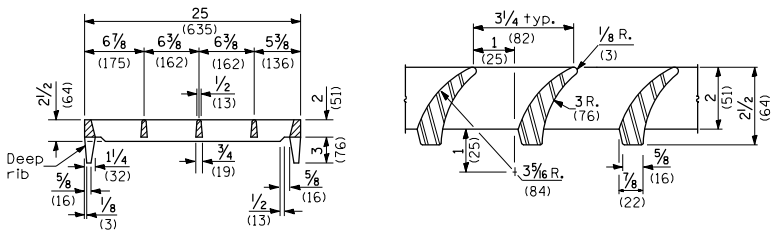


DETAIL B



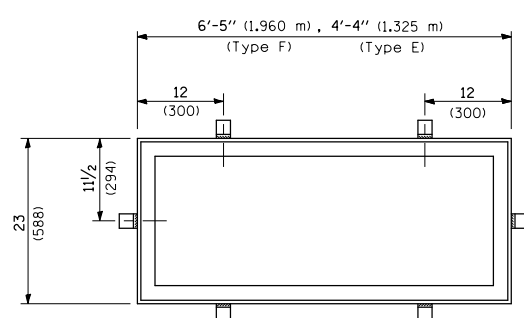
DETAIL OF CAST GRATE

SECTION Y-Y

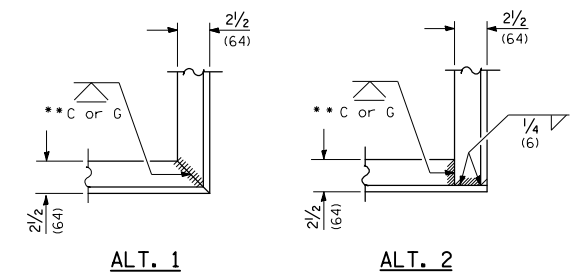


SECTION X-X

DETAIL C



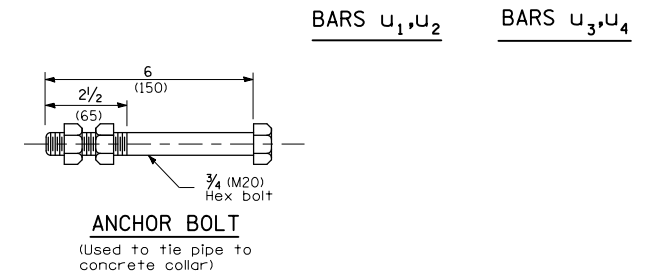
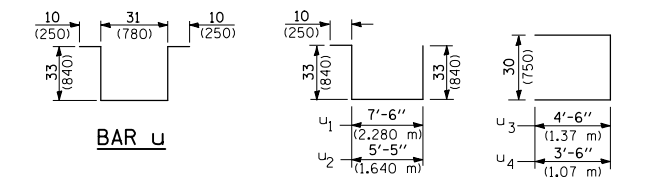
DETAIL OF STEEL FRAME



TYPICAL CORNER OF STEEL GRATING FRAME

INLET BOX							
REQUIRED MATERIAL							
TYPE E				TYPE F			
Bar	Qty.	Size	Length	Bar	Qty.	Size	Length
u	6	No. 4 (No. 13)	9'-9" (2,96 m)	u	8	No. 4 (No. 13)	9'-9" (2,96 m)
u <sub>2</sub>	3	No. 4 (No. 13)	11'-9" (3,57 m)	u <sub>1</sub>	3	No. 4 (No. 13)	13'-10" (4,21 m)
u <sub>4</sub>	6	No. 4 (No. 13)	9'-6" (2,89 m)	u <sub>3</sub>	6	No. 4 (No. 13)	11'-6" (3,49 m)
Concrete	cu. yds. (m <sup>3</sup> )	1.3 (1.0)		Concrete	cu. yds. (m <sup>3</sup> )	1.7 (1.3)	
Reinf. bars	lbs. (kg)	101 (45,8)		Reinf. bars	lbs. (kg)	126 (57,2)	
Grating	sq. ft. (m <sup>2</sup> )	7,3 (0,68)		Grating	sq. ft. (m <sup>2</sup> )	10,9 (1,02)	

INLET TYPE	SHOULDER WIDTH	0-0 GRATING FRAME	INLET BOX INSIDE WIDTH	INLET BOX INSIDE LENGTH
Type E	6' (1,8 m)	4'-4" (1,325 m)	3'-11" (1,195 m)	18 (460)
Type F	10' (3,0 m)	6'-5" (1,960 m)	6'-0" (1,830 m)	18 (460)



ANCHOR BOLT

GENERAL NOTES

See Standard 420001 for joint details not shown.

All exposed edges of the inlet, except the upper perimeter, shall be beveled 3/4 (20).

For placement of drainage elements on existing construction with existing rigid pavement, substitute expansion anchor ties for the tie bars. For non-rigid pavements or monolithic construction of pcc slab and shoulder, omit tie bars.

The cost of PCC slab shall be included in the cost of Type E or F Inlet Box, Standard 610001 (SPECIAL).

The cost of the Concrete Curb, Type B shall be paid for at the contract unit price per foot (meter) for Concrete Curb, Type B.

The cost of concrete shoulder curb shall be paid for at the contract unit price per foot (meter) for Concrete Shoulder Curb.

The lengths of reinforcement bars used in the portland cement concrete slab shall be such as to accommodate the lengths, widths, and spacing shown on the plans.

All dimensions are in inches (millimeters) unless otherwise shown.