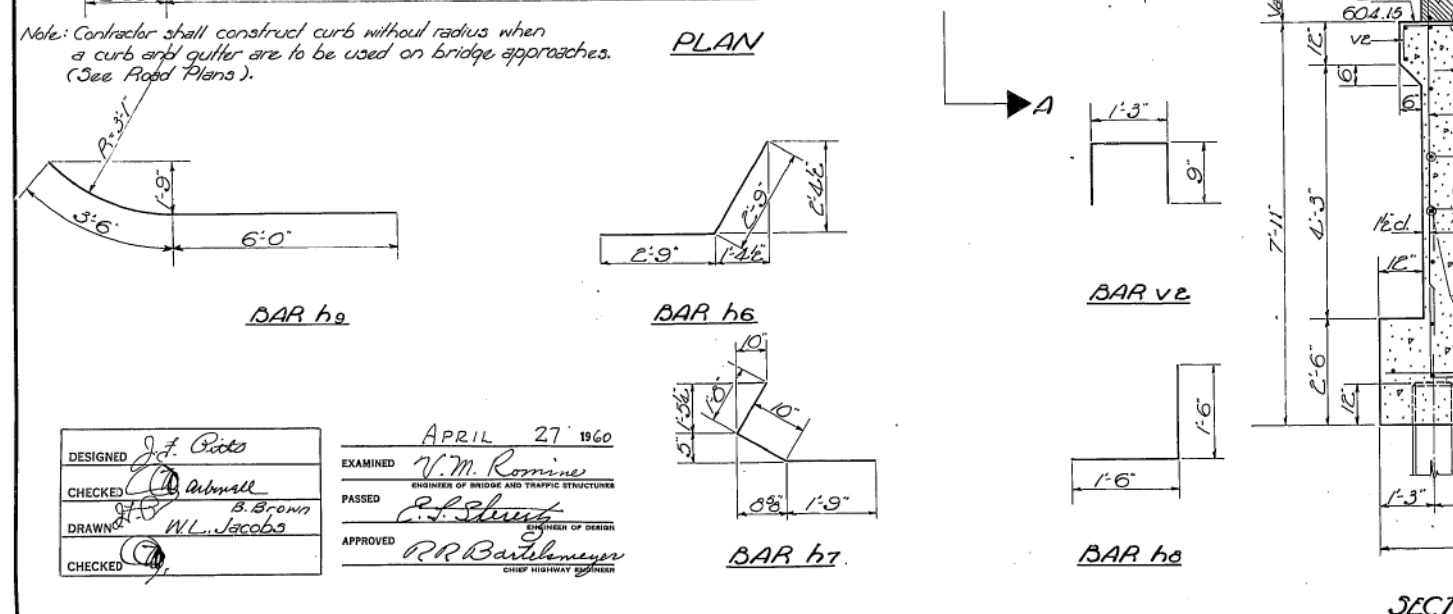
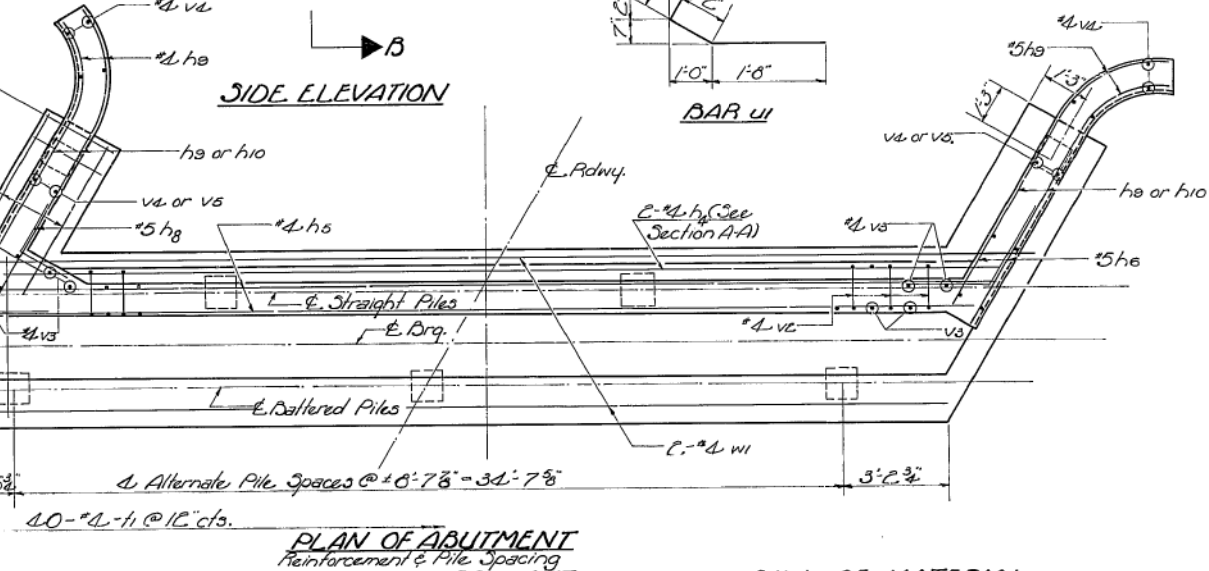
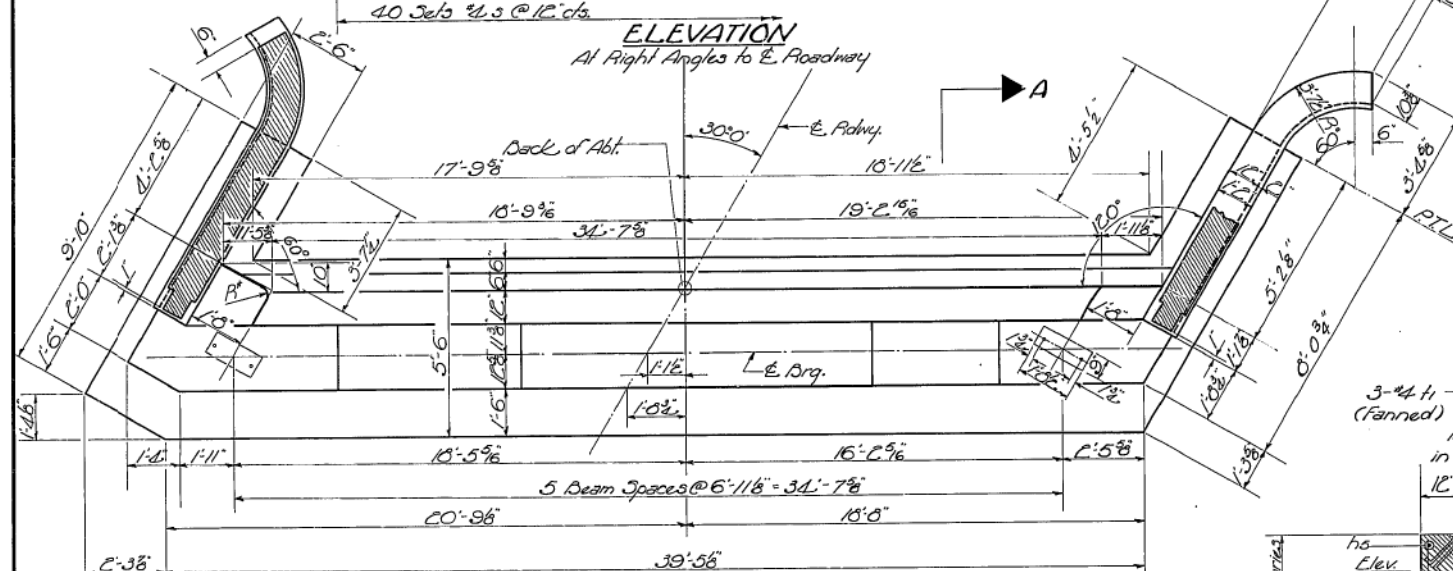
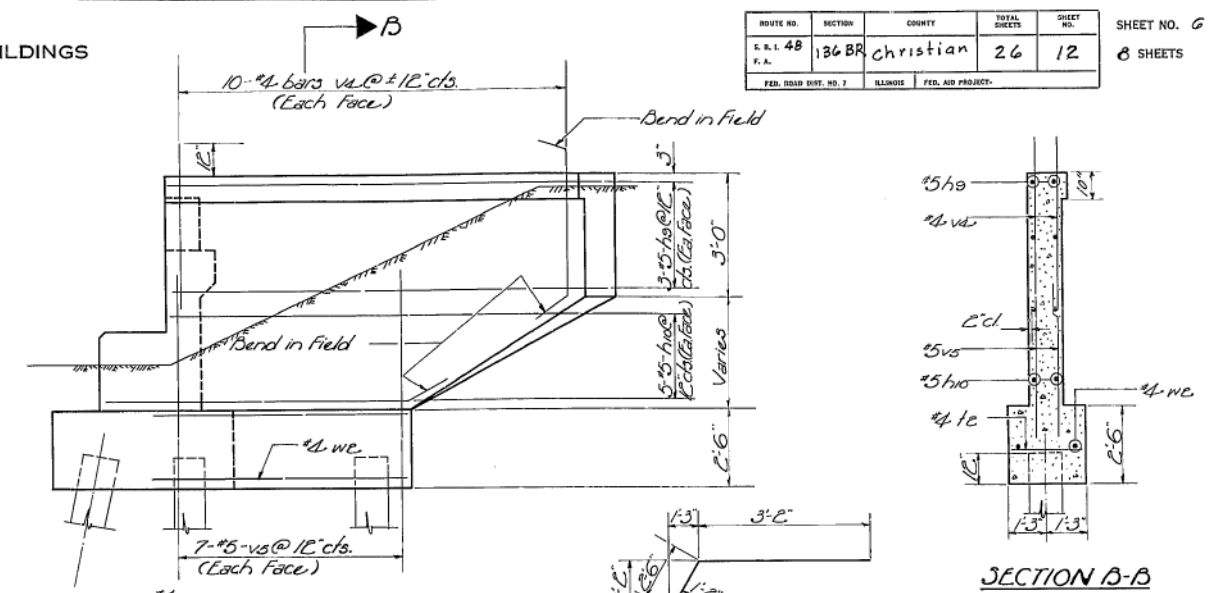
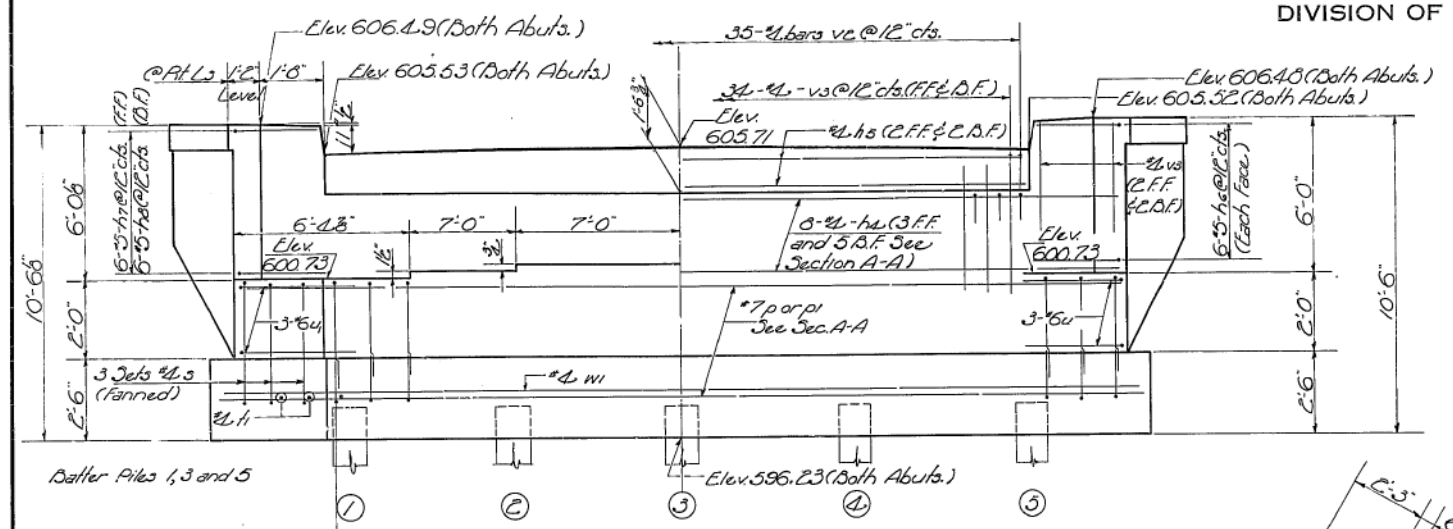


STATE OF ILLINOIS  
DEPARTMENT OF PUBLIC WORKS & BUILDINGS  
DIVISION OF HIGHWAYS

ROUTE NO.	SECTION	COUNTY	TOTAL SHEETS	SHEET NO.	SHEET NO. 6
S.S.L. 48	136 BR	Christian	26	12	8 SHEETS
F.A.					
FED. ROAD DIST. NO. 2	ILLINOIS	FED. AID PROJECT			



**PLAN OF ABUTMENT**  
Reinforcement & Pile Spacing

**BILL OF REINFORCEMENT**

Bar	No.	Size	Length	Shape
h9	32	#4	20'-3"	
h6	16	#4	18'-0"	
h7	24	#5	5'-6"	
h7	12	#5	4'-3"	
h8	12	#5	3'-0"	
h9	24	#5	9'-6"	
h10	40	#5	6'-6"	
p	12	#7	40'-6"	
pl	0	#7	38'-9"	
s	172	#4	7'-3"	
ti	06	#4	5'-3"	
te	24	#4	2'-3"	
vc	70	#4	2'-9"	
vs	152	#4	5'-3"	
va	80	#4	4'-6"	
vs	56	#5	4'-3"	
wi	8	#4	21'-9"	
wc	0	#4	6'-0"	
u	6	#6	9'-6"	
ui	6	#6	8'-6"	

**BILL OF MATERIAL**

Item	Unit	Quantity
Class X Concrete	Cu. Yds.	88.7
Reinforcement Bars	Lbs.	5650
Concrete Piles	Lin. Ft.	403
Test Piles (Concrete)	Each	1

**PILE DATA**

Capacity 4.3 Tons  
Est. Length 31 Ft  
No. Required 14 (2 Abuts.)  
Includes 1 Test Pile

**SECTION B-B**

DESIGNED J.F. Gatto  
CHECKED [Signature]  
DRAWN W.L. Jacobs  
APPROVED [Signature]

APRIL 27 1960  
EXAMINED V.M. Romine  
PASSED [Signature]  
APPROVED [Signature]

ABUTMENTS  
S.B.I. RT. 48 - SEC. 136-BR  
CHRISTIAN COUNTY  
STATION 627+01

FOR INFORMATION ONLY