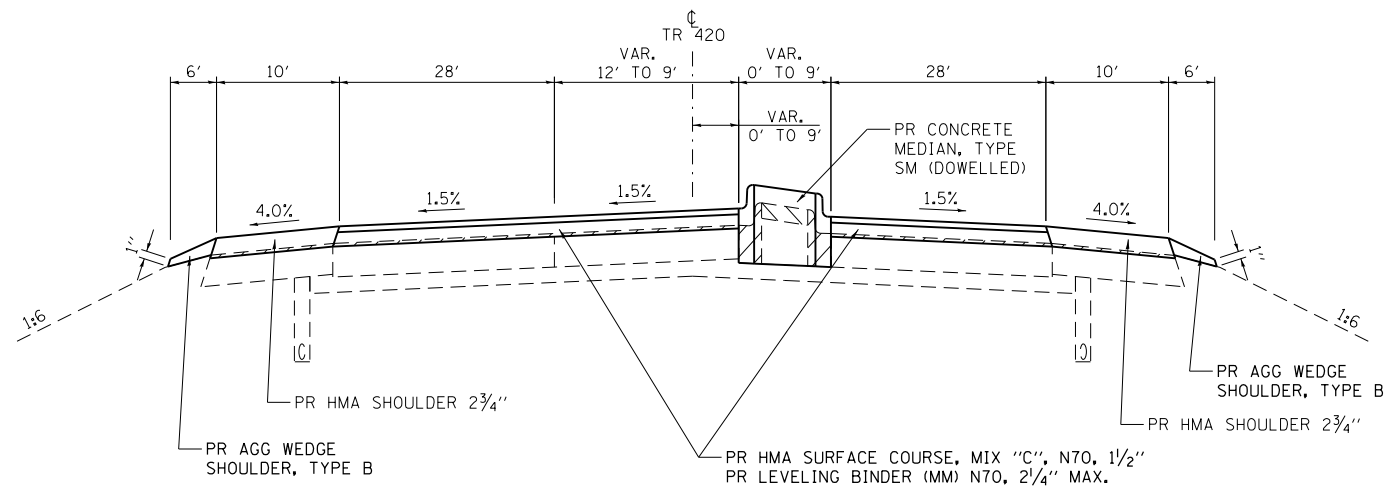
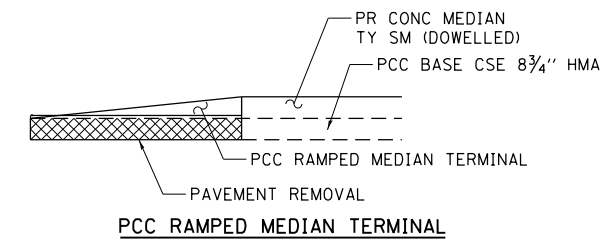
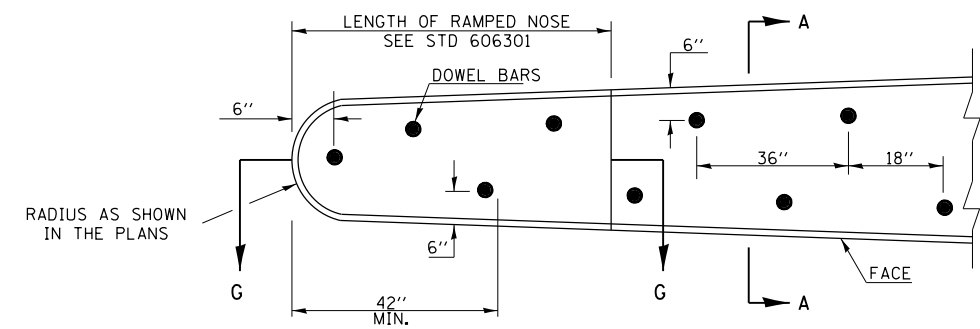
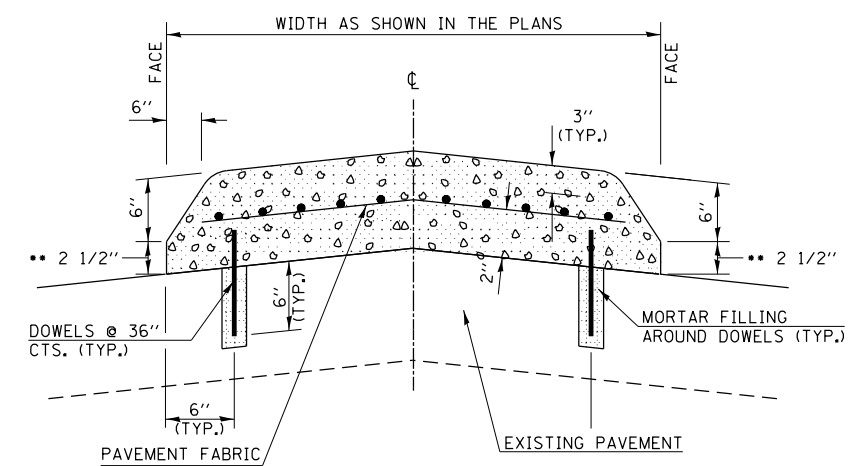


- SEQUENCE OF OPERATIONS
1. CONSTRUCT CONCRETE MEDIAN TYPE SM (DOWELLED)
  2. REMOVE 6 FOOT OF PCC BASE COURSE 8 3/4" AND CONSTRUCT PCC RAMPED MEDIAN TERMINALS.
  3. MILL EXISTING HMA OVERLAY AT EACH END OF BRIDGE AND BUTT JOINTS.
  4. PLACE LEVELING BINDER, HMA SURFACE COURSE, HMA SHOULDERS, AND AGGREGATE SHOULDERS.
  5. INSTALL PAVEMENT MARKINGS



STA. 294+70 TO STA. 298+21.40 TR 420  
 STA. 301+39.20 TO STA. 305+05.00TR 420



USER NAME = sparksgw	DESIGNED - BTM	REVISED -
	DRAWN - BTM	REVISED -
PLOT SCALE = 100.0002' / in.	CHECKED - JSA	REVISED -
PLOT DATE = Sep-06-2013 09:25:43AM	DATE - 12/19/12	REVISED -

STATE OF ILLINOIS  
 DEPARTMENT OF TRANSPORTATION

DOWELED MEDIAN DETAIL  
 TR 420 (OVERPASS RD.) - FINAL PHASE

F.A.I. RE. 1722	SECTION *	COUNTY SANGAMON	TOTAL SHEETS 194	SHEET NO. 112
* (84-10-1RS-3,84-10-2RS-4)BR,1		CONTRACT NO. 72C90		
ILLINOIS FED. AID PROJECT				

SCALE: SHEET NO. OF SHEETS STA. TO STA.

(84-10-1,2)RS-3 & (84-10-2)RS-4