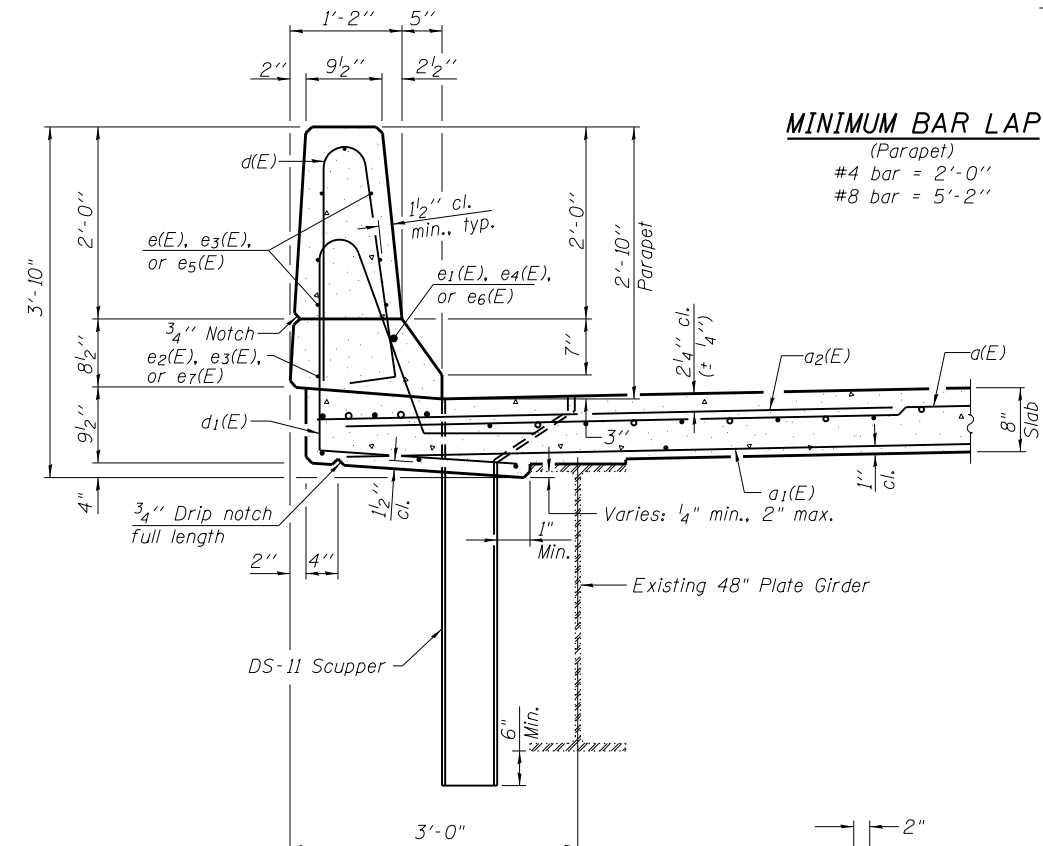


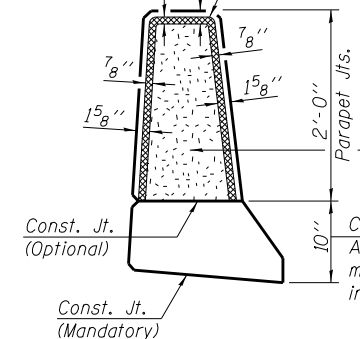
**INSIDE ELEVATION OF PARAPET**



**MINIMUM BAR LAP**  
(Parapet)  
#4 bar = 2'-0"  
#8 bar = 5'-2"

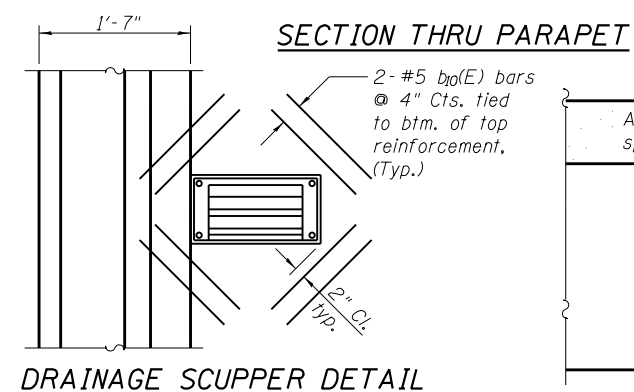
Aluminum sheeted joints in base of parapet

Non-staining gray one component non-sag elastomeric gun grade polyurethane sealant meeting the requirements of ASTM C-920, Type S, Grade NS, Class 25, use T with a 5/8" backer rod.



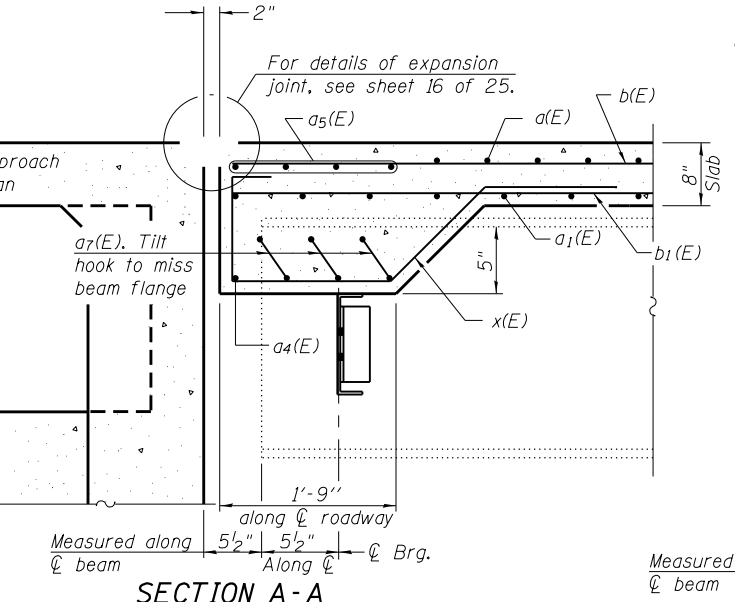
**PARAPET JOINT DETAILS**

Notes:  
Drains shall be located clear of all diaphragms.  
The exterior surfaces of the floor drains shall be painted with the finish coat as specified in the special provisions for Cleaning and Painting New Metal Structures. The exterior surfaces of the drains shall be cleaned according to the Society of Protective Coatings Spec. SSPC-SP1 prior to painting.  
Fiberglass pipe shall conform to ASTM D 2996, with short-time rupture strength hoop tensile stress of 30,000 p.s.i. minimum.  
Galvanize clamping device according to AASHTO M232. Cost of clamping device and inserts is included with Cost of Drainage Scuppers.

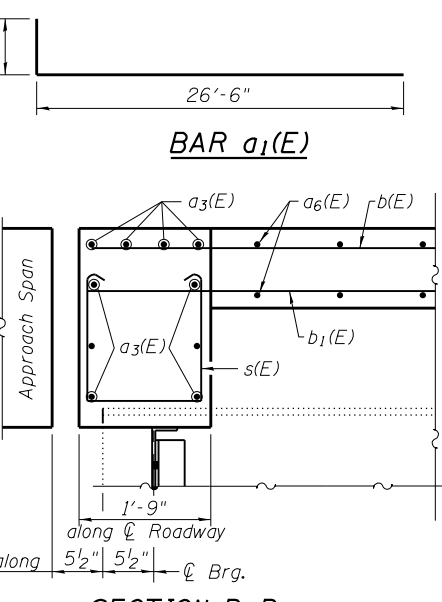


**SECTION THRU PARAPET**

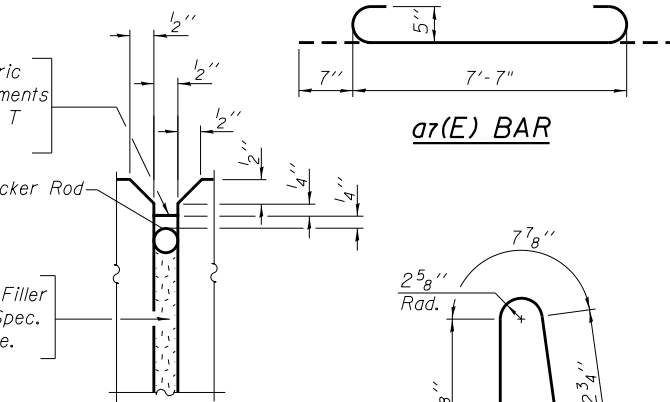
**DRAINAGE SCUPPER DETAIL**



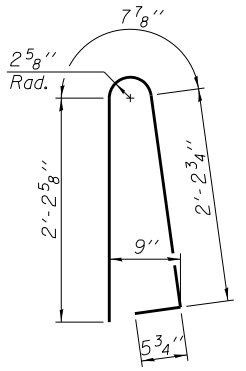
**SECTION A-A**



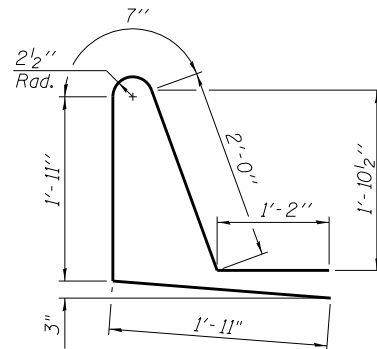
**SECTION B-B**



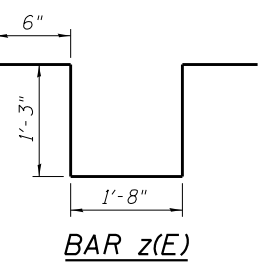
**a7(E) BAR**



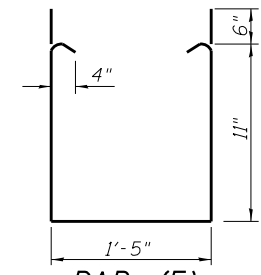
**BAR d(E)**



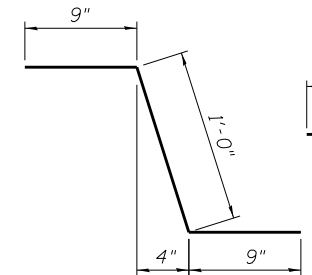
**BAR d1(E)**



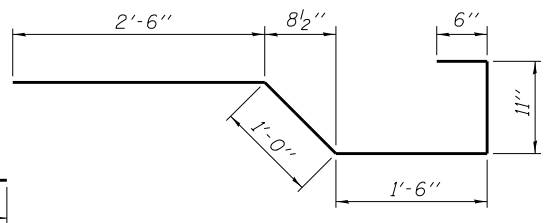
**BAR z(E)**



**BAR s(E)**



**BAR z1(E)**



**BAR x(E)**

**SUPERSTRUCTURE BILL OF MATERIAL**

Bar	No.	Size	Length	Shape
a(E)	718	#5	26'-6"	
a1(E)	520	#5	27'-4"	
a2(E)	360	#6	6'-6"	
a3(E)	20	#5	16'-11"	
a4(E)	4	#6	26'-8"	
a5(E)	16	#5	26'-11"	
a6(E)	619	#5	16'-8"	
a7(E)	36	#5	8'-9"	
b(E)	532	#5	30'-0"	
b1(E)	134	#6	32'-5"	
b2(E)	372	#5	34'-7"	
b10(E)	32	#5	2'-0"	
d(E)	426	#5	5'-7"	
d1(E)	424	#5	7'-7"	
e(E)	56	#4	18'-2"	
e1(E)	6	#8	28'-1"	
e2(E)	6	#4	26'-0"	
e3(E)	32	#4	16'-10"	
e4(E)	4	#8	16'-10"	
e5(E)	70	#4	16'-11"	
e6(E)	8	#8	25'-5"	
e7(E)	8	#4	23'-1"	
s(E)	34	#4	4'-3"	
x(E)	104	#5	6'-5"	
z(E)	390	#5	5'-2"	
z1(E)	780	#5	2'-6"	
Reinforcement Bars, Epoxy Coated			Pound	100,880
Concrete Superstructure			Cu. Yds.	414.5

Bars indicated thus 1 x 3 - #8 etc. indicates 1 line of bars with 3 lengths per line.