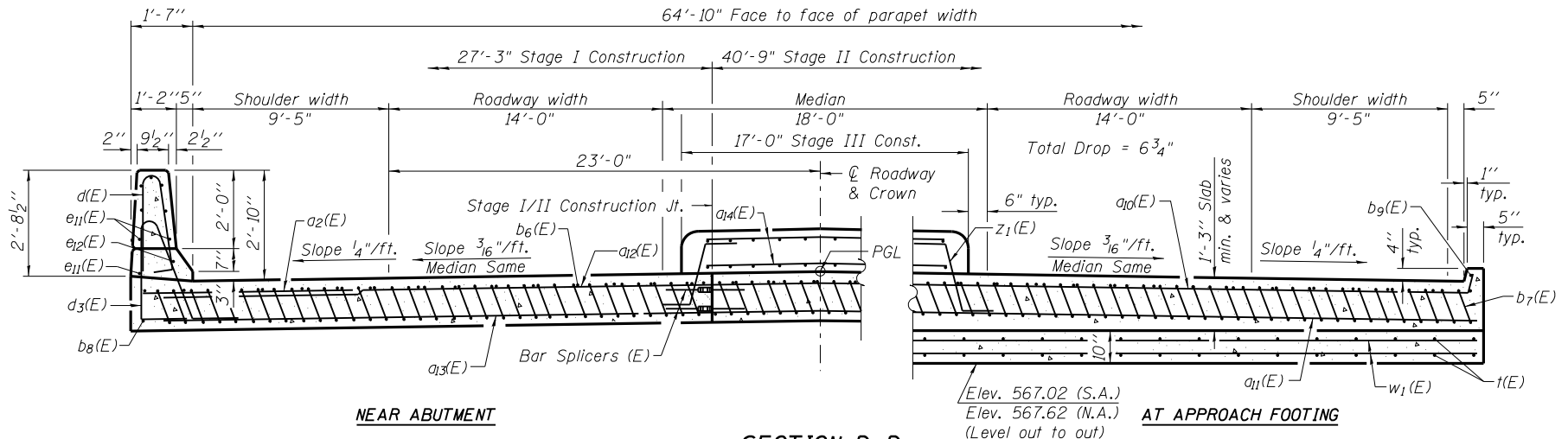


**SECTION C-C**

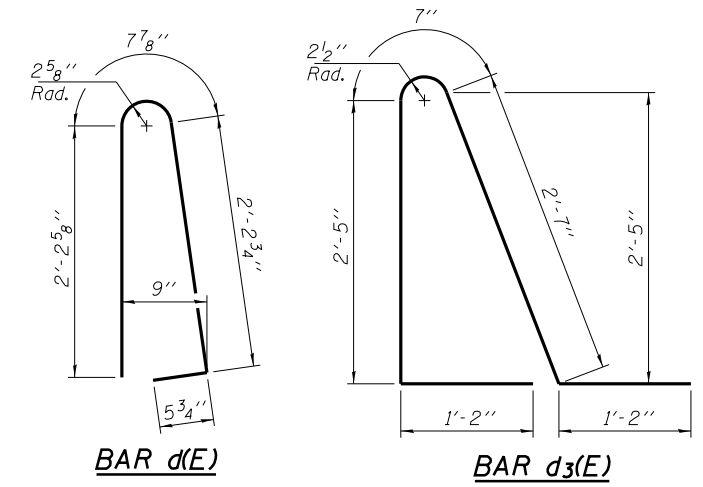
**Notes:**

See sheet 14 of 27 for Detail A and View B-B.  
 Approach slab and parapet concrete shall be paid for as Concrete Superstructure.  
 Approach footing concrete shall be paid for as Concrete Structures.  
 Reinforcement shall be paid for as Reinforcement Bars, Epoxy Coated.  
 For v<sub>1</sub>(E) bar details, see sheet 11 of 27.  
 The approach footing maximum applied service bearing pressure (Q<sub>max</sub>) = 2.0 ksf.  
 Cost of excavation for approach footing included with Concrete Structures.  
 For additional parapet details, see sheet 14 of 27.



**SECTION D-D**

(Looking South @ South Approach, North Approach Similar)  
 (See Plan for dimensions not shown)



**BAR d(E)**

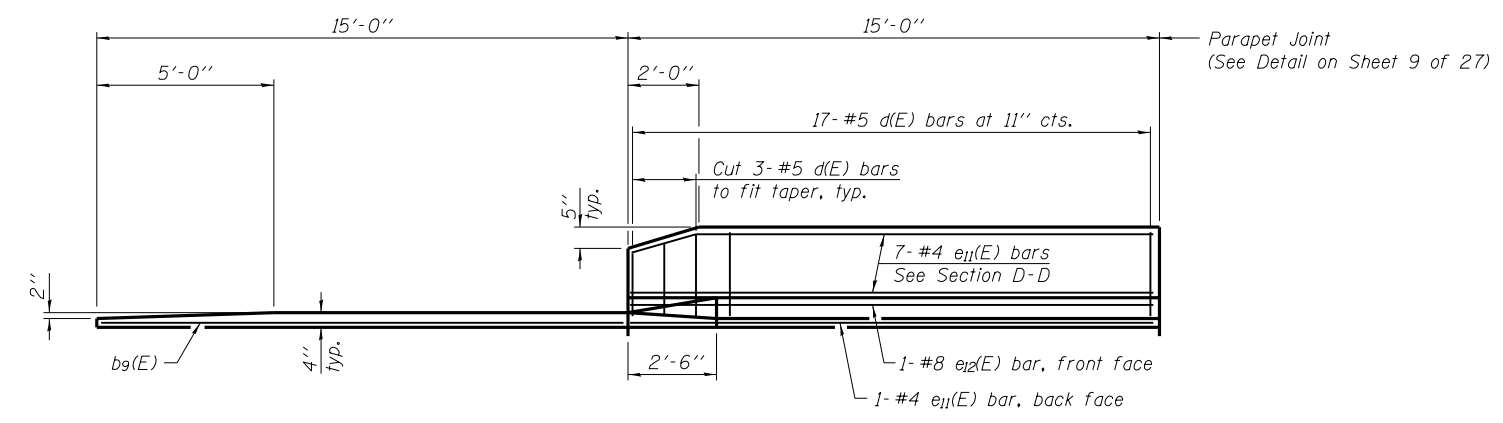
**BAR d3(E)**

\* Tilt #9 b<sub>7</sub>(E) bars as required to maintain clearance.  
 \*\*\* Cost included with Concrete Superstructure.

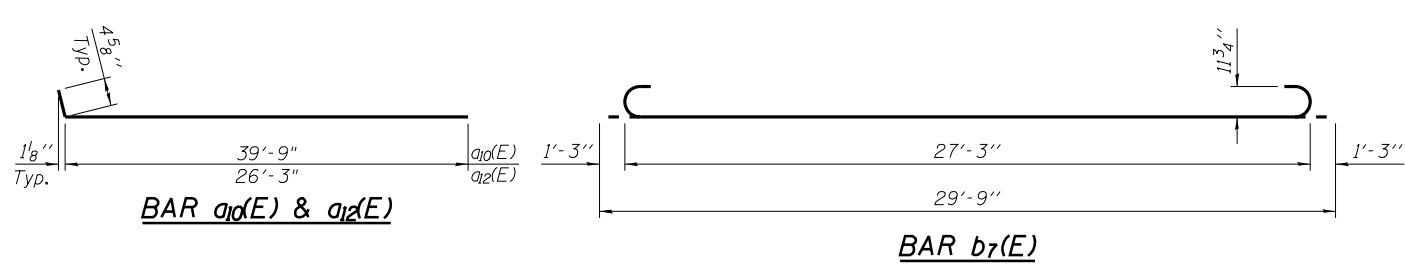
**TWO APPROACHES  
 BILL OF MATERIAL**

Bar	No.	Size	Length	Shape
a <sub>2</sub> (E)	48	#6	6'-6"	—
a <sub>10</sub> (E)	50	#4	40'-2"	┌
a <sub>11</sub> (E)	92	#5	39'-10"	—
a <sub>12</sub> (E)	50	#4	26'-8"	┌
a <sub>13</sub> (E)	92	#5	26'-4"	—
a <sub>14</sub> (E)	96	#5	16'-11"	—
b <sub>6</sub> (E)	182	#4	29'-8"	—
b <sub>7</sub> (E)	322	#9	29'-9"	┌
b <sub>8</sub> (E)	4	#4	14'-8"	—
b <sub>9</sub> (E)	4	#4	14'-10"	—
d(E)	68	#5	5'-7"	┌
d <sub>3</sub> (E)	68	#5	7'-11"	┌
e <sub>11</sub> (E)	32	#4	14'-8"	—
e <sub>12</sub> (E)	4	#8	14'-8"	—
t(E)	272	#4	9'-10"	—
w(E)	80	#5	25'-11"	—
w <sub>1</sub> (E)	80	#5	39'-3"	—
z <sub>1</sub> (E)	100	#5	2'-6"	┌
Concrete Superstructure		Cu. Yd.	240.4	
Concrete Structures		Cu. Yd.	42.0	
Reinforcement Bars, Epoxy Coated		Pound	55,910	

\*Dimensions for z<sub>1</sub>(E) bar on sht 9 of 27.



**VIEW E-E**



**BAR a<sub>10</sub>(E) & a<sub>12</sub>(E)**

**BAR b<sub>7</sub>(E)**

(Sheet 2 of 2)