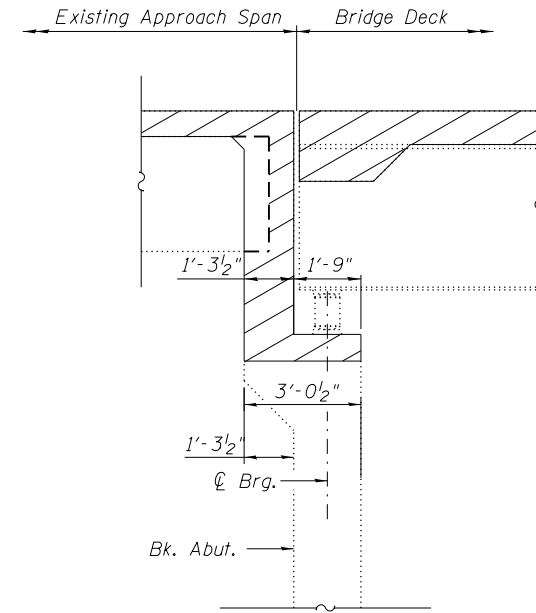
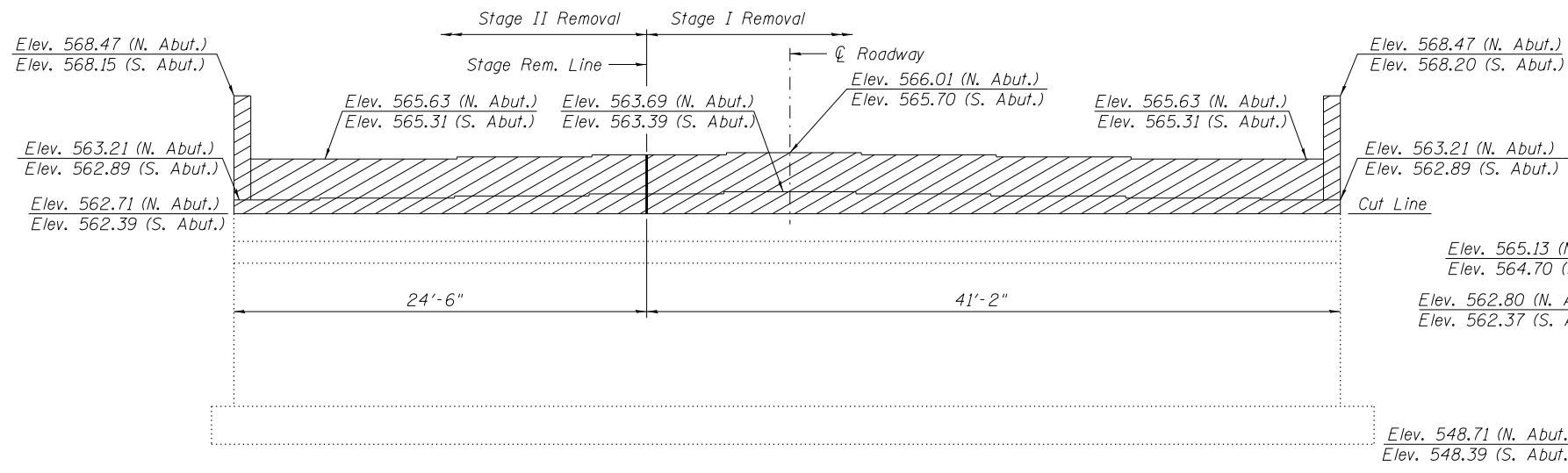


PLAN



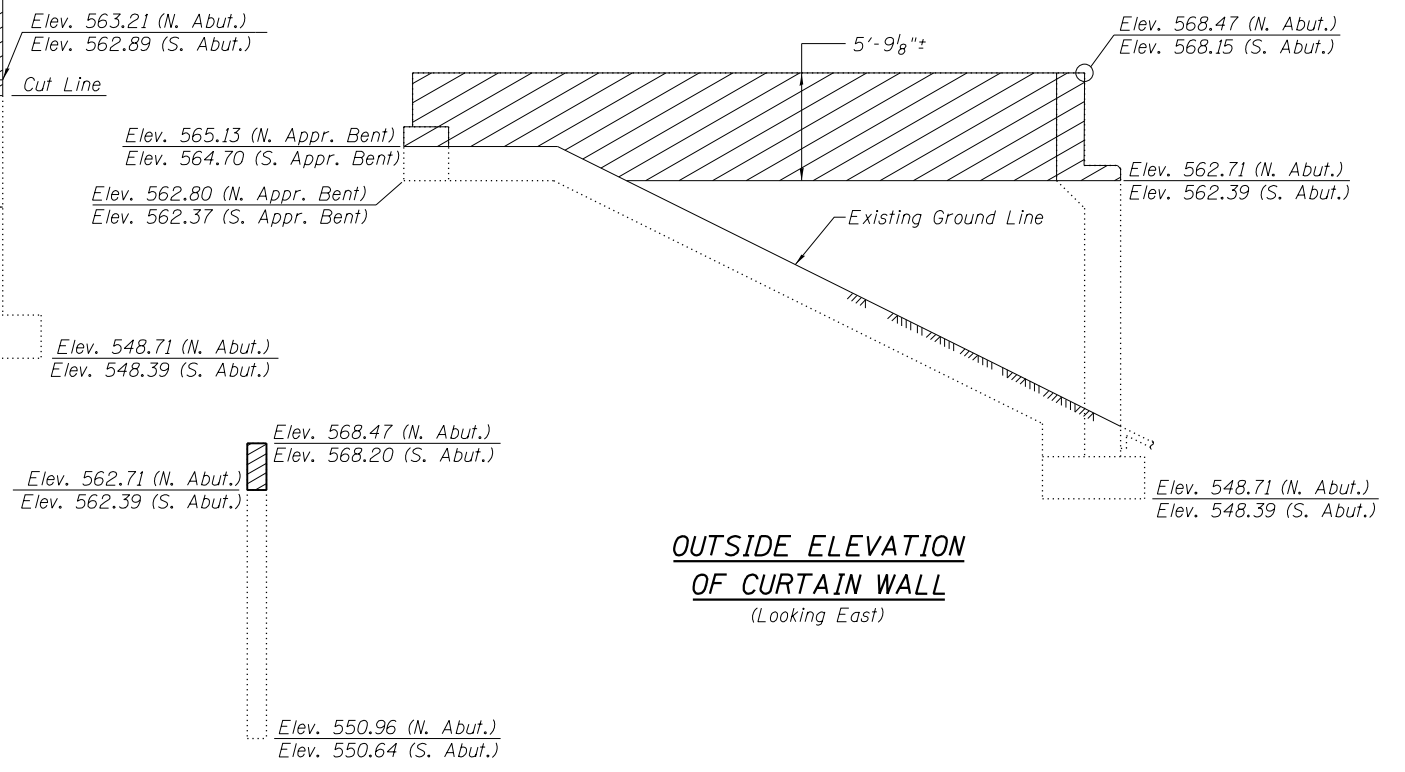
SECTION A-A



ELEVATION

(N. Abut. Shown, S. Abut. Similar)

Notes:
 Hatched area indicates Concrete Removal.
 Existing reinforcement bars extending into the new construction shall be cleaned, straightened and incorporated into the new construction. Cost included with Concrete Removal.
 Existing reinforcement bars not extending into the new construction shall be cut off and covered with a 2" layer of cement grout. Cost included with Concrete Removal.
 Elevations based off datum difference of -0.62' from existing plans



OUTSIDE ELEVATION OF CURTAIN WALL

(Looking East)

SECTION B-B

FILE NAME = CH12 over FA1-72.dgn	USER NAME =	DESIGNED - SAL	REVISED -	STATE OF ILLINOIS DEPARTMENT OF TRANSPORTATION	CONCRETE REMOVAL, ABUTMENTS MECHANICSBURG ROAD OVER F.A.I.-72 - S.N.084-0150	F.A.I. RTE. =	SECTION =	COUNTY =	TOTAL SHEETS =	SHEET NO. =
	PLOT SCALE =	DRAWN - TJW	REVISED -			72	.	SANGAMON	194	132
PLOT DATE =	CHECKED - MTH	REVISED -		SHEET NO. 20 OF 27 SHEETS		• (84-10-1RS-3, 84-10-2RS-R)BR, I		CONTRACT NO. 72C90		
						FED. ROAD DIST. NO. 6 ILLINOIS FED. AID PROJECT				