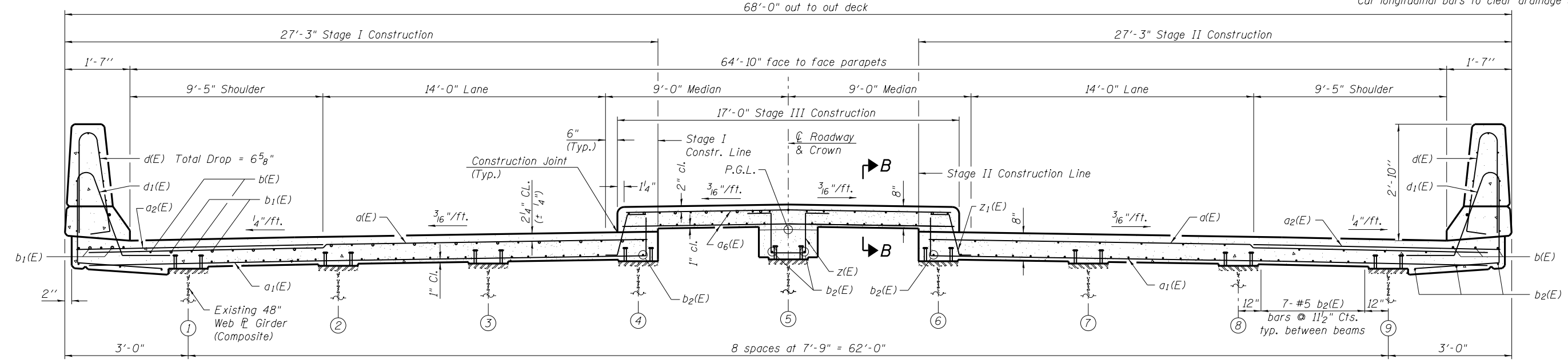


PLAN

Notes:
 See Sheet 9 of 25 for superstructure details and Bill of Material.
 Bars indicated thus 26 x 7-#5 etc. indicates 26 lines of bars with 7 lengths per line.
 See Sheet 9 of 25 for Section A-A and parapet reinforcement.
 Cut longitudinal bars to clear drainage scuppers.



CROSS SECTION
(Looking South)

MINIMUM BAR LAP
 (DECK)
 #5 Bar = 2'-7"
 #6 Bar = 3'-1"

FILE NAME = TR420 over FAI-72.dgn	USER NAME =	DESIGNED - SAL	REVISED -	STATE OF ILLINOIS DEPARTMENT OF TRANSPORTATION	SUPERSTRUCTURE OVERPASS RD. (TR-420) OVER F.A.I.-72 - S.N. 084-0154	F.A.I. RTE. 72	SECTION (84-10-1,2) R5-3	COUNTY SANGAMON	TOTAL SHEETS 194	SHEET NO. 155
PLOT SCALE =	DRAWN - TJW	REVISED -	CONTRACT NO. 72C90			FED. ROAD DIST. NO. 6 ILLINOIS FED. AID PROJECT				
PLOT DATE	CHECKED - MTH	REVISED -	SHEET NO. 8 OF 25 SHEETS							