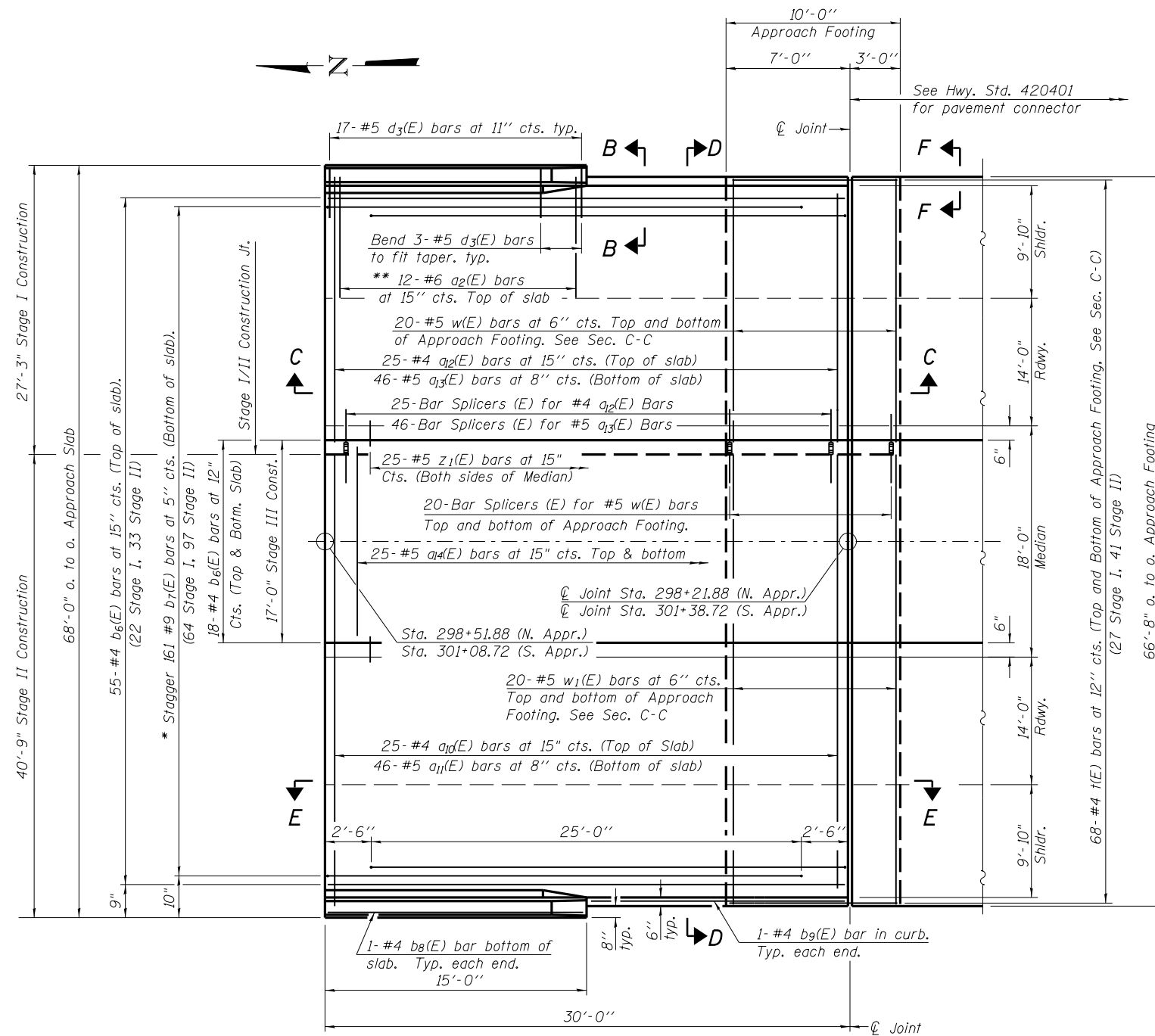


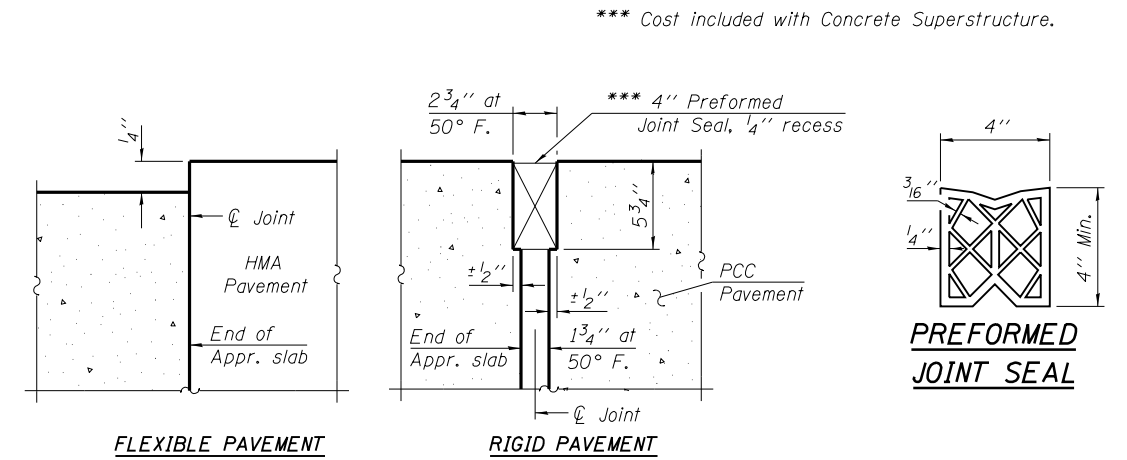
Notes:
See sheet 13 of 25 for Sections C-C & D-D and View E-E.
a₁₀(E), a₁₁(E), a₁₂(E), a₁₃(E) and a₁₄(E) bar spacings measured along ϕ Rdwy.



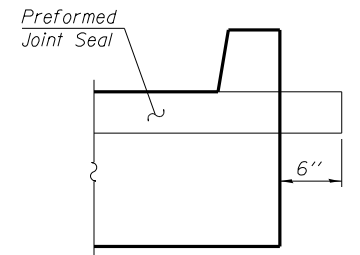
PLAN

(South Approach Shown,
North Approach Similar)

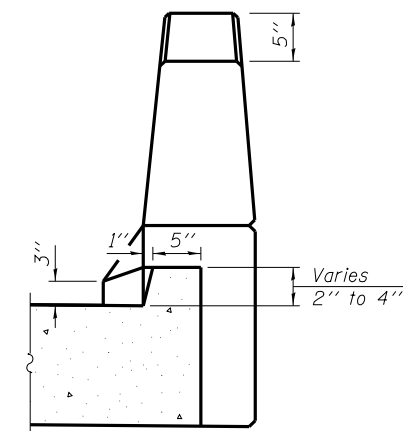
- * Tilt #9 b₇(E) bars as required to maintain clearance.
- ** Space between a₁₀(E) or a₁₂(E) bars, typ. ea. parapet.



DETAIL A



VIEW F-F



VIEW B-B

(Sheet 1 of 2)

FILE NAME = TR420 over FAI-72.dgn	USER NAME =	DESIGNED - SAL	REVISED -	STATE OF ILLINOIS DEPARTMENT OF TRANSPORTATION	BRIDGE APPROACH SLAB DETAILS OVERPASS RD. (TR-420) OVER F.A.I.-72 - S.N. 084-0154	F.A.I. RTE. = 72	SECTION = (84-10-1,2) R5-3	COUNTY = SANGAMON	TOTAL SHEETS = 194	SHEET NO. = 159	
	PLOT SCALE =	DRAWN - TJW	REVISED -			CONTRACT NO. 72C90					
	PLOT DATE =	CHECKED - MTH	REVISED -			SHEET NO. 12 OF 25 SHEETS					
						FED. ROAD DIST. NO. 6 ILLINOIS FED. AID PROJECT					